

Rating and Characteristic Curves (CGRKM4001-HF Thru. CGRKM4007-HF)

Fig.1- Current Derating Curve

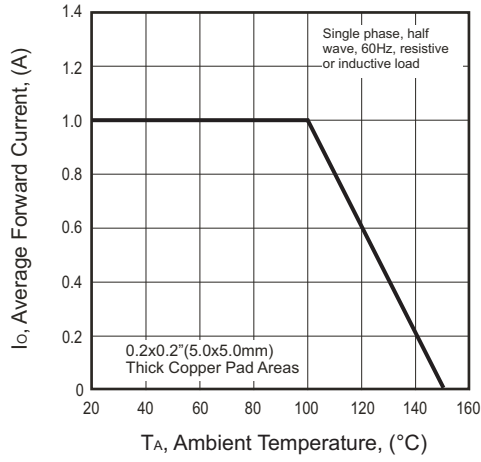


Fig.2- Forward Characteristics

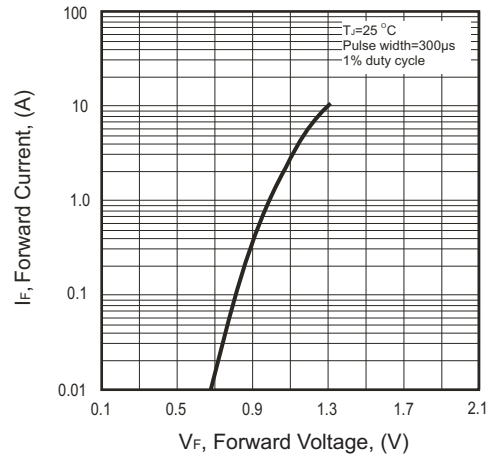


Fig.3- Non-repetitive Forward Surge Current

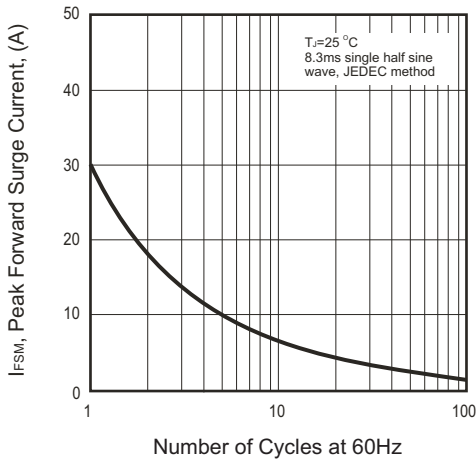


Fig.4- Reverse Characteristics

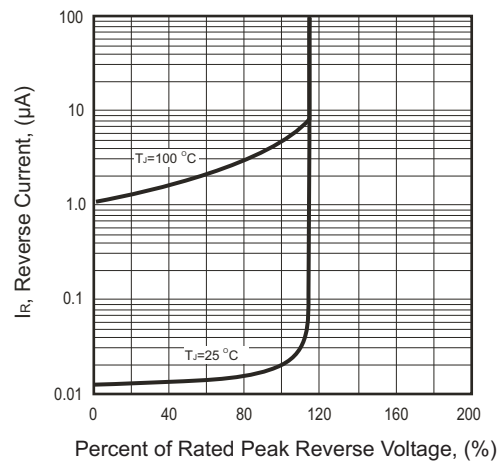
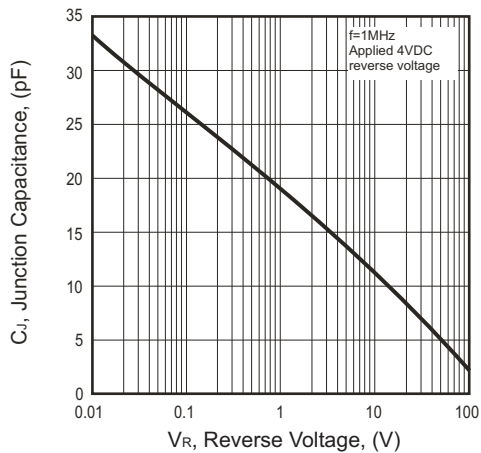


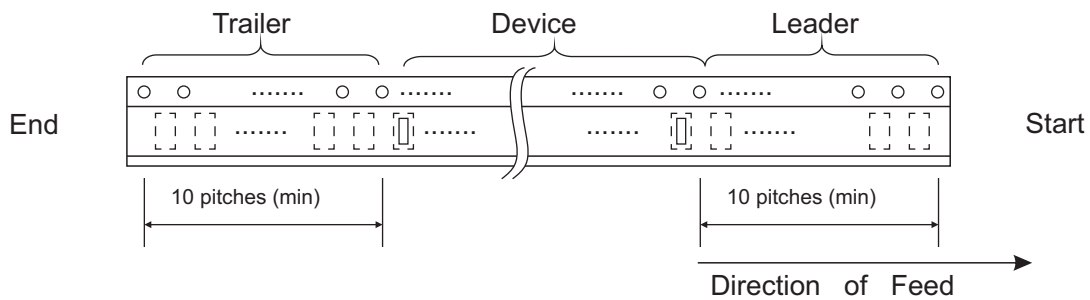
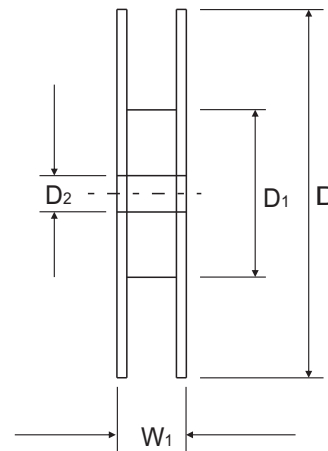
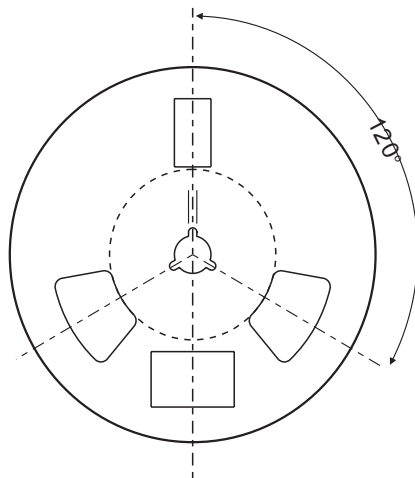
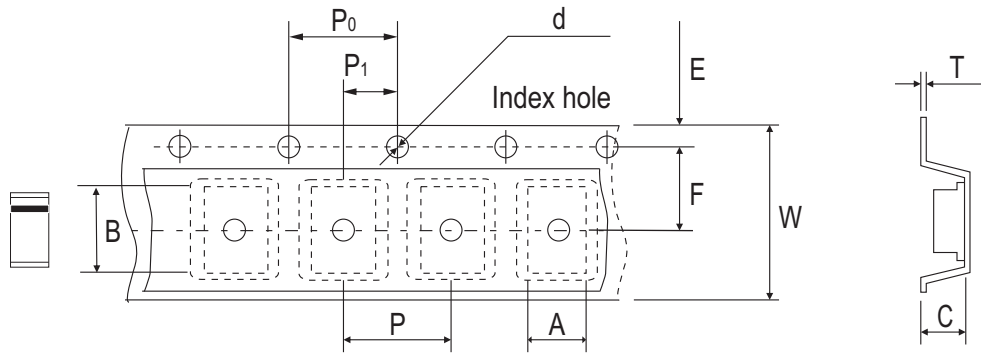
Fig.5- Junction Capacitance



Company reserves the right to improve product design, functions and reliability without notice.

REV:H

Reel Taping Specification



KM/ SOD-123F	SYMBOL	A	B	C	d	D	D1	D2
	(mm)	1.90 ± 0.10	3.90 ± 0.10	1.68 ± 0.10	1.50 ± 0.10	178 ± 2.00	62.0 MIN.	13.0 ± 0.50
	(inch)	0.075 ± 0.04	0.154 ± 0.04	0.066 ± 0.04	0.059 ± 0.004	7.00 ± 0.079	2.440 MIN.	0.512 ± 0.020

KM/ SOD-123F	SYMBOL	E	F	P	P0	P1	T	W	W1
	(mm)	1.75 ± 0.10	3.50 ± 0.10	4.00 ± 0.10	4.00 ± 0.10	2.00 ± 0.10	0.23 ± 0.10	8.00 ± 0.30	11.40 ± 1.0
	(inch)	0.069 ± 0.004	0.138 ± 0.004	0.157 ± 0.004	0.157 ± 0.004	0.079 ± 0.004	0.009 ± 0.004	0.315 ± 0.012	0.449 ± 0.004

Company reserves the right to improve product design, functions and reliability without notice.

REV:H

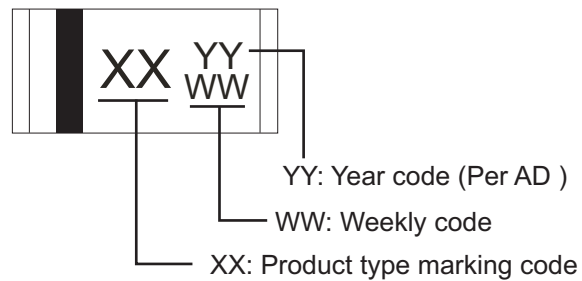
Marking Code

Part Number	Marking Code
CGRKM4001(T)-HF	A1
CGRKM4002(T)-HF	A2
CGRKM4003(T)-HF	A3
CGRKM4004(T)-HF	A4
CGRKM4005(T)-HF	A5
CGRKM4006(T)-HF	A6
CGRKM4007(T)-HF	A7

Note:

1) Suffix code after part number to specify packaging item .

Packaging	Code
REEL PACK 7"	NA
REEL PACK 13"	T



- Year Code: The last two number, AD 2016=16
- Weekly Code: 01~xx(The fast week~final week)

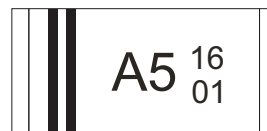
Product code printed

For example as follows:

P/N: CGRKM4005-HF

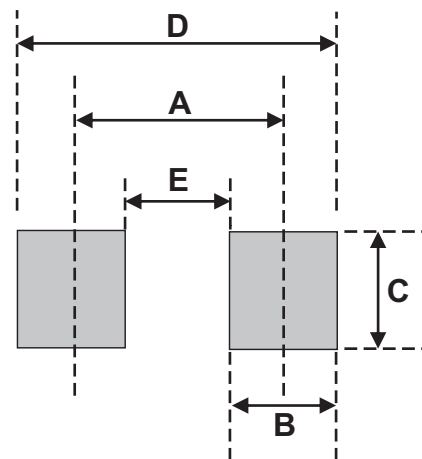
Manufacture date_ Year: 2016 / Weekly:01

Product code printed:



Suggested PAD Layout

SIZE	KM/SOD-123F	
	(mm)	(inch)
A	3.30	0.130
B	1.40	0.055
C	1.90	0.075
D	4.70	0.185
E	1.90	0.075



Standard Packaging

Case Type	REEL PACK	
	REEL (pcs)	Reel Size (inch)
KM/ SOD-123F	2,500	7
	10,000	13

Company reserves the right to improve product design , functions and reliability without notice.

REV:H

Mouser Electronics

Authorized Distributor

Click to View Pricing, Inventory, Delivery & Lifecycle Information:

[Comchip Technology:](#)

[CGRKM4002-HF](#) [CGRKM4006-HF](#) [CGRKM4003-HF](#)