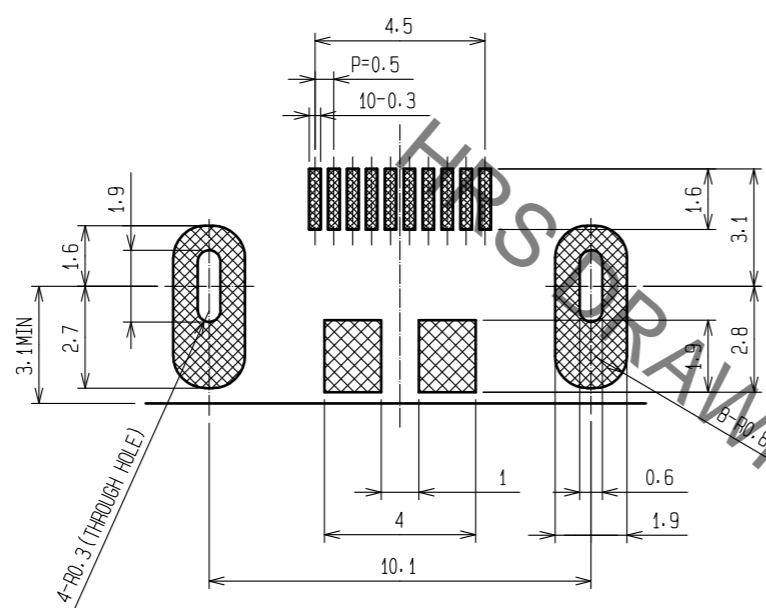
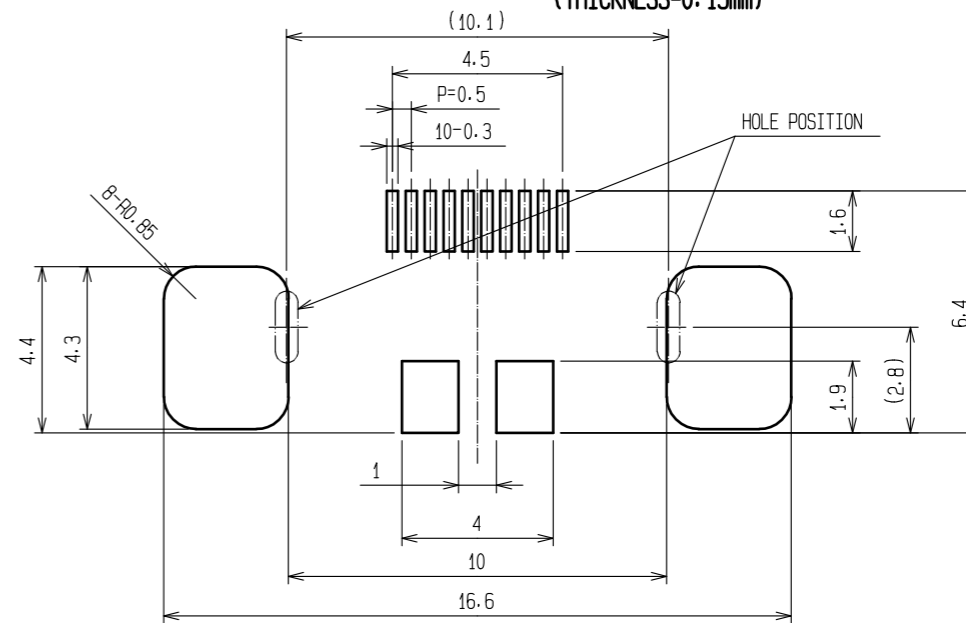



Sep.1.2021 Copyright 2021 HIROSE ELECTRIC CO., LTD. All Rights Reserved.
In case of consideration for using Automotive equipment / device which demand high reliability, kindly contact our sales window correspondents.

6 RECOMMENDED PC BOARD PATTERN

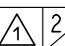


5 RECOMMENDED METAL MASK DESIGN
(THICKNESS=0.15mm)



- 5 REFER TO THE RECOMMENDED METAL MASK DESIGN.
- 6 RECOMMENDED PC BOARD PATTERN
-  : COPPER FOIL+SOLDER LEVELER

DRAWING FOR REFERENCE

HRS	DRAWING NO.	EDC-124149-30-00
	PART NO.	ST60-10P(30)
	CODE NO.	CL241-0022-5-30
		 2/2

Mouser Electronics

Authorized Distributor

Click to View Pricing, Inventory, Delivery & Lifecycle Information:

[Hirose Electric:](#)

[ST60-10P\(30\)](#)