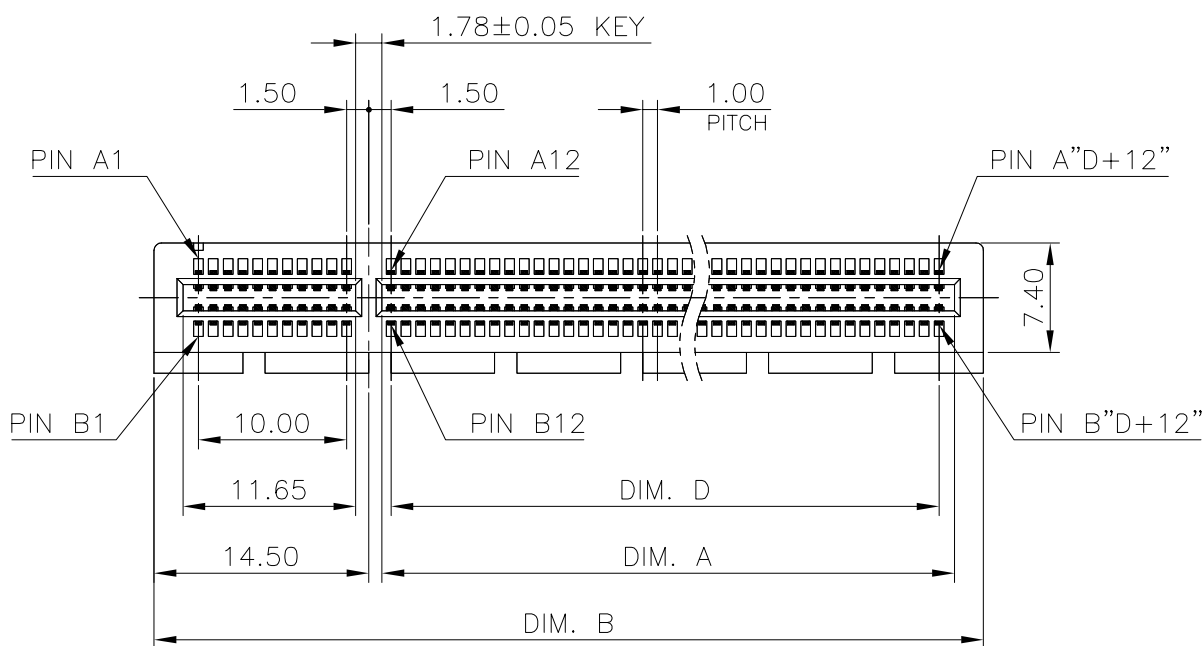


LOC	DIST	P	LTR	SEE S
DW		-		

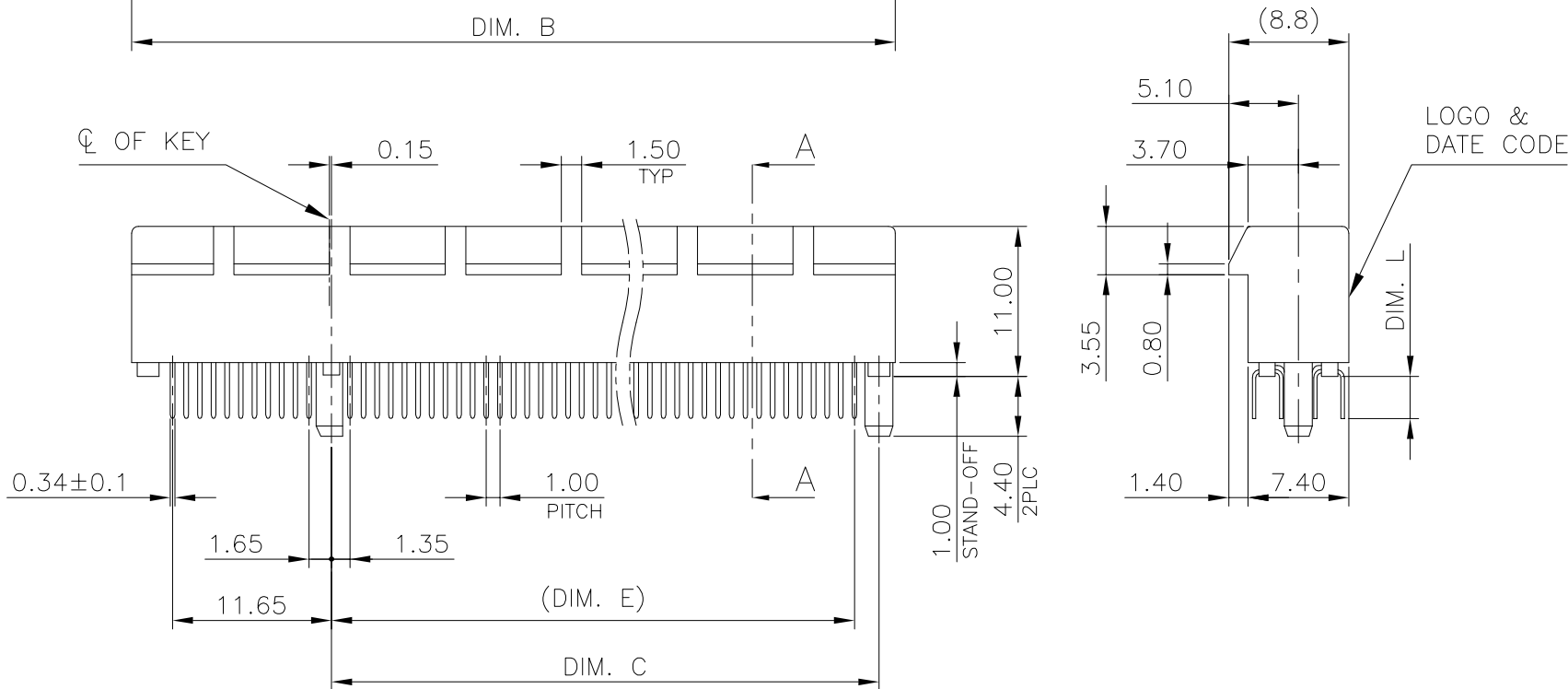
NOTES:

- MATERIAL:
 - HOUSING: 1.PA46 W 2.PA9T V
 - CONTACT: PHOSPHO
- FINISH:
 - CONTACT: (SEE TABLE) 2.54um [10] 1.27um [50]
- CONNECTOR HAS MET PER PCI EXPRESS C
- WEIGHT:
 - 36 POS.: 2.55 GRAM
 - 98 POS.: 5.50 GRAM
- WAVE SOLDER CAPABL
- REFLOW SOLDER CAPA (REFLOW SOLDERING P

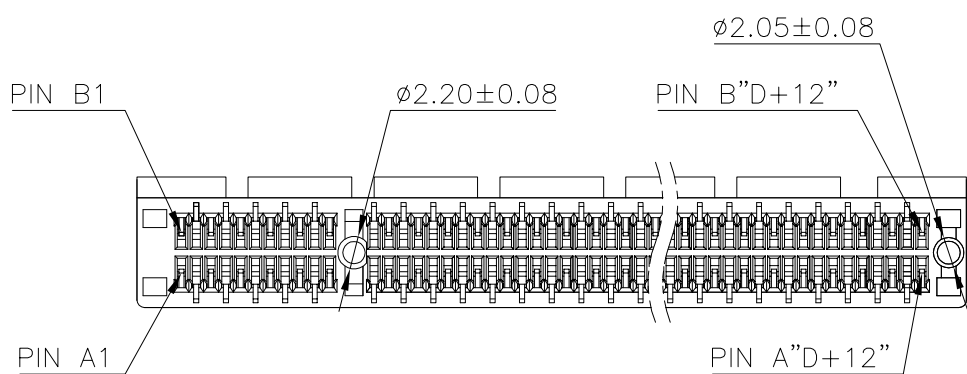
D



C

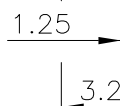


B



A

A-A SCALE 2:1



THIS DRAWING IS A CONTROLLED DOCUMENT.

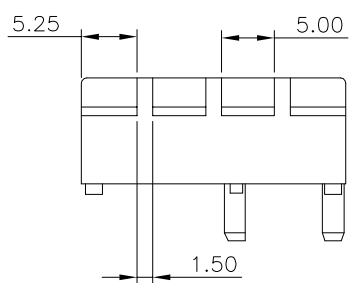
DIMENSIONS:	TOLERANCES UNLESS OTHERWISE SPECIFIED:
MM	
	0 PLC ± -
	1 PLC ± 0.3
	2 PLC ± 0.2
	3 PLC ± 0.15
	4 PLC ANGLES ± - ± 3'

MATERIAL	FINISH
SEE NOTE	SEE NOTE

DWN	_____
CHK	_____
APVD	_____
PRODUCT SPEC	_____
APPLICATION SPEC	_____
WEIGHT	SEE NOTE 4
CUSTOMER DRAWING	_____

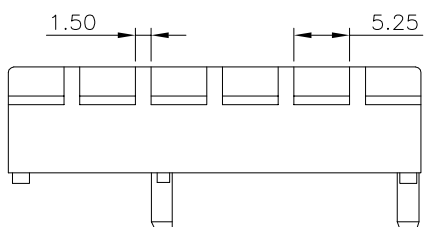
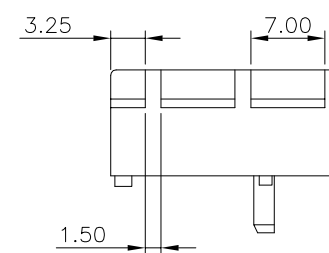
THIS DRAWING IS UNPUBLISHED. RELEASED FOR PUBLICATION AUG , 2006.
 © COPYRIGHT - BY TYCO ELECTRONICS CORPORATION. ALL RIGHTS RESERVED.

LOC	DIST	P	LTR	SEE S
DW				

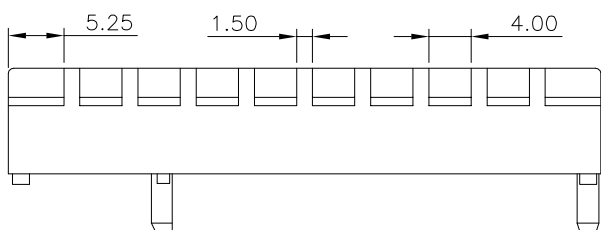
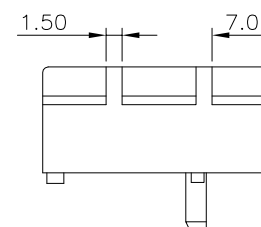


PN X-1 TO 4-X-8
(PA9T TYPE)

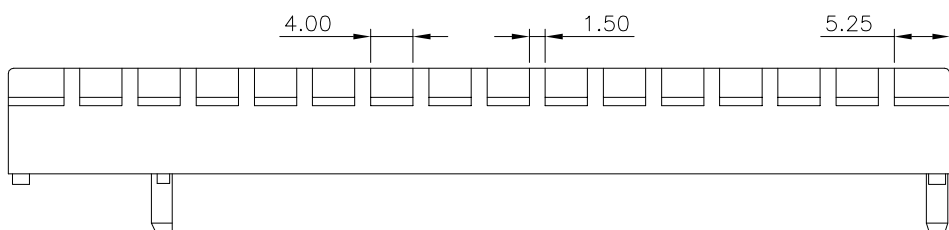
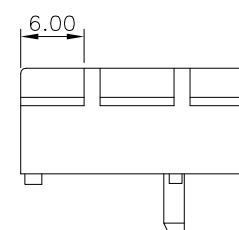
36 POS.



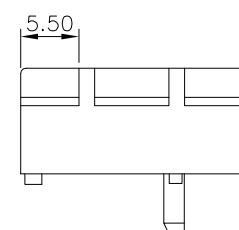
64 POS.



98 POS.



164 POS.

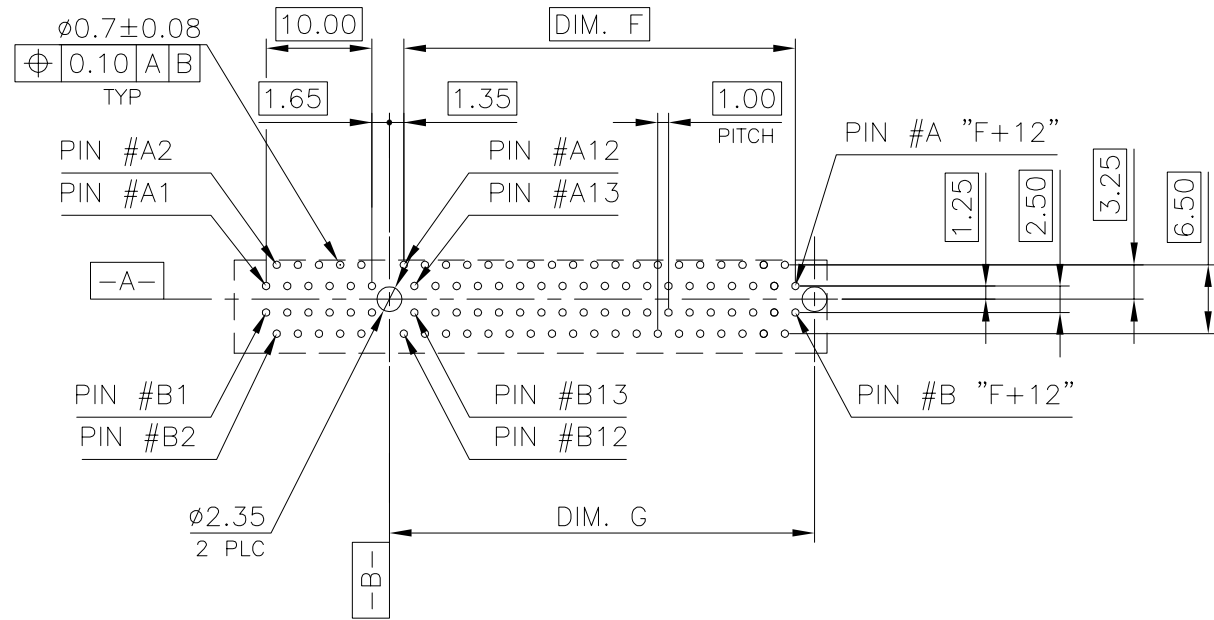


THIS DRAWING IS A CONTROLLED DOCUMENT.		DWN
DIMENSIONS: MM		CHK
	TOLERANCES UNLESS OTHERWISE SPECIFIED:	APVD
	0 PLC ± - 1 PLC ± 0.25 2 PLC ± 0.25 3 PLC ± 0.25 4 PLC ± - ANGLES ± -	PRODUCT SPEC
MATERIAL	FINISH	APPLICATION SPEC
		WEIGHT
		CUSTOMER DRAWING

LOC	DIST	P	LTR	SEE S
DW				

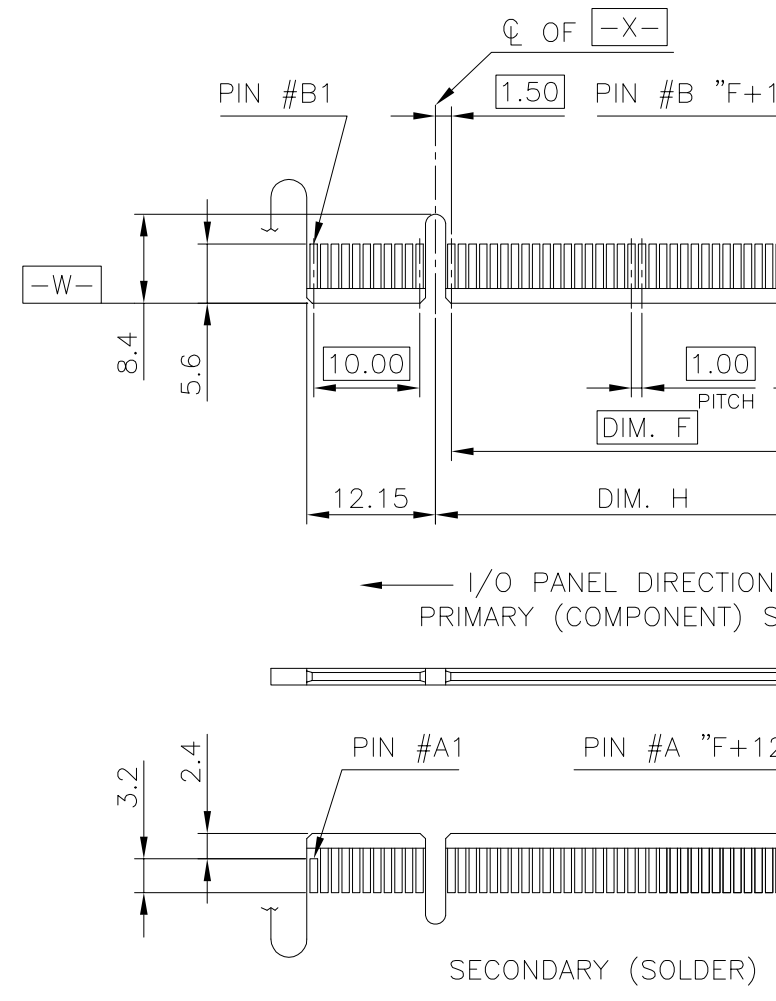
ADD-IN CARD EDGE

NOTES:
CHAMFER EDGE MUS



RECOMMENDED PCB LAYOUT

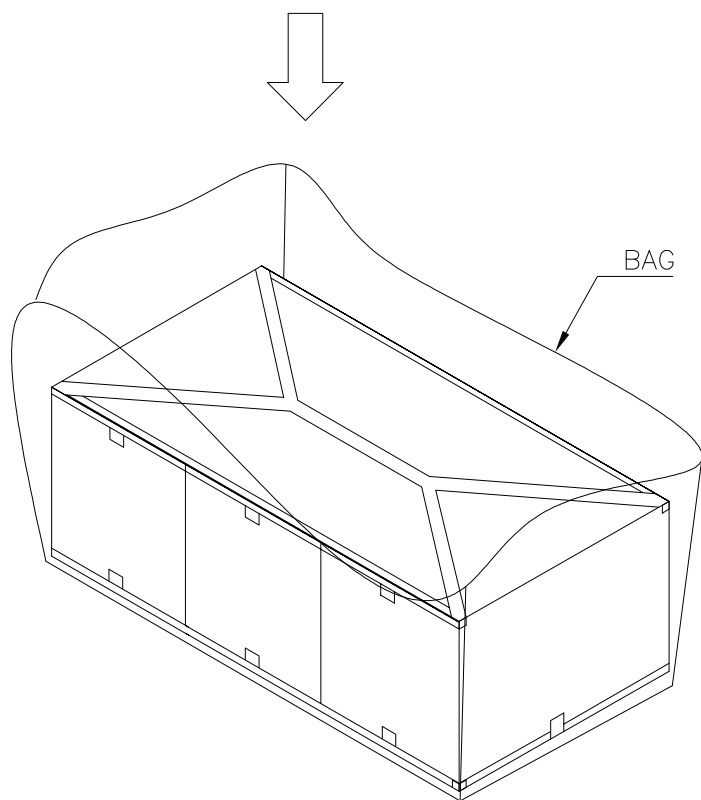
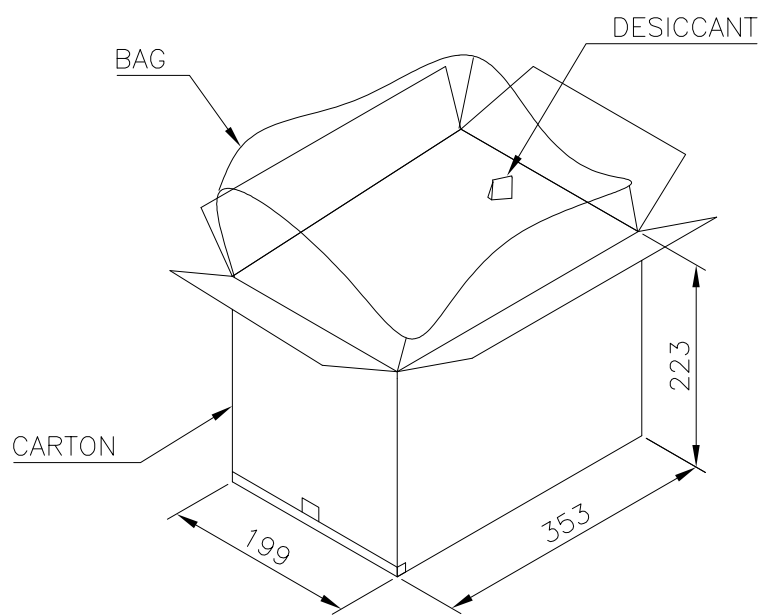
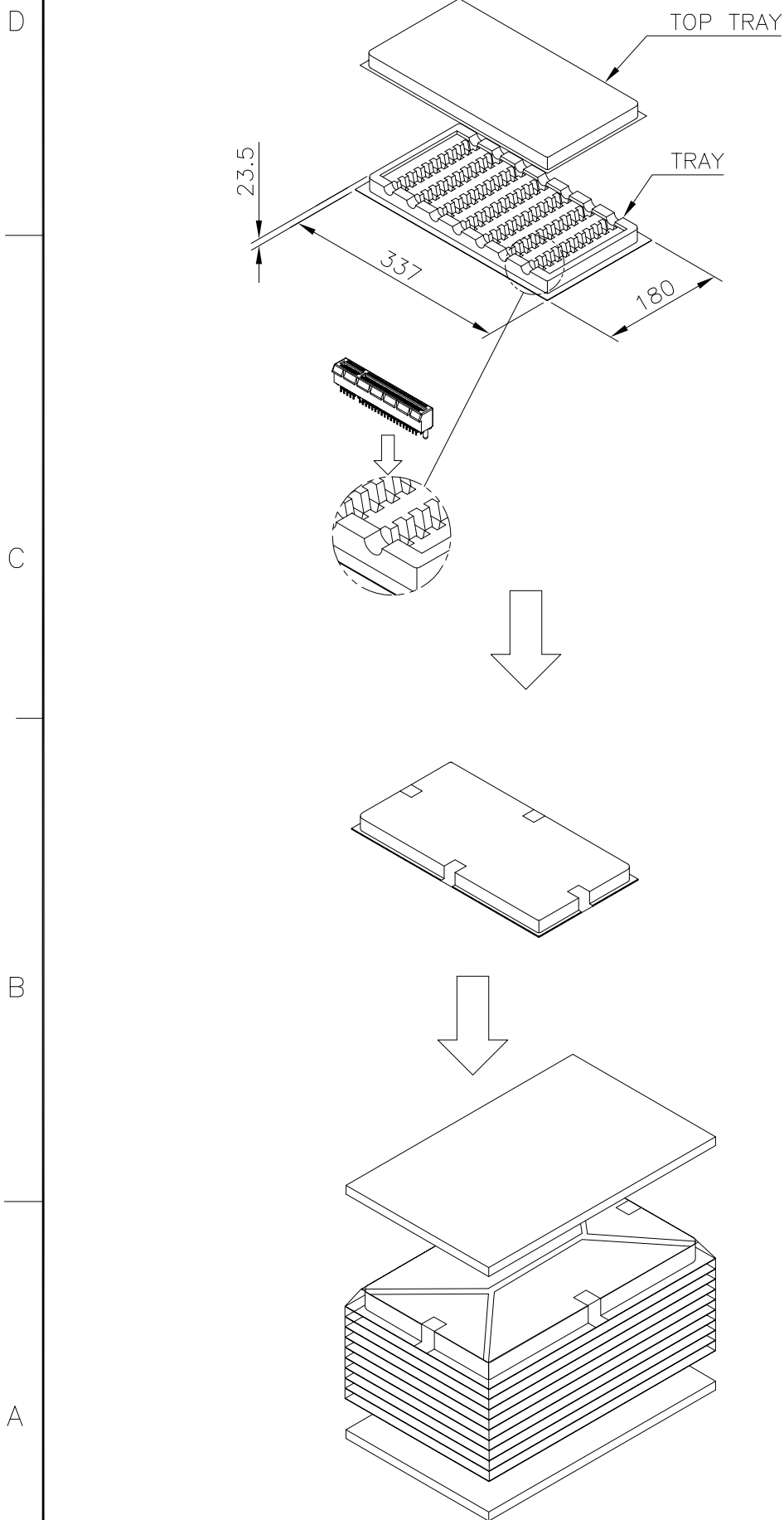
TOLERANCE: ±0.05
 FOR DIM.L=3.1mm PCB THICKNESS: 2.4mm
 FOR DIM.L=2.3mm PCB THICKNESS: 1.6mm



THIS DRAWING IS A CONTROLLED DOCUMENT.		DWN
DIMENSIONS: MM		CHK
TOLERANCES UNLESS OTHERWISE SPECIFIED:		APVD
0 PLC ± -		PRODUCT SPEC
1 PLC ± -		APPLICATION SPEC
2 PLC ± -		WEIGHT
3 PLC ± -		CUSTOMER DRAWING
4 PLC ± -		
ANGLES ± -		
MATERIAL	FINISH	

THIS DRAWING IS UNPUBLISHED. RELEASED FOR PUBLICATION AUG , 2006.
 © COPYRIGHT - BY TYCO ELECTRONICS CORPORATION. ALL RIGHTS RESERVED.

LOC	DIST	P	LTR	SEE S
DW				



10.2
9.0
8.5
7.6
GRO
WEI

THIS DRAWING IS A CONTROLLED DOCUMENT.		DWN
DIMENSIONS: MM		CHK
TOLERANCES UNLESS OTHERWISE SPECIFIED:		APVD
0 PLC ± -		PRODUCT SPEC
1 PLC ± -		APPLICATION SPEC
2 PLC ± -		WEIGHT
3 PLC ± -		CUSTOMER DRAWING
4 PLC ± -		
ANGLES ± -		
MATERIAL	FINISH	

Mouser Electronics

Authorized Distributor

Click to View Pricing, Inventory, Delivery & Lifecycle Information:

[TE Connectivity:](#)

[1-1734774-4](#)