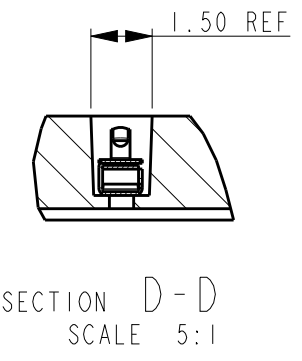
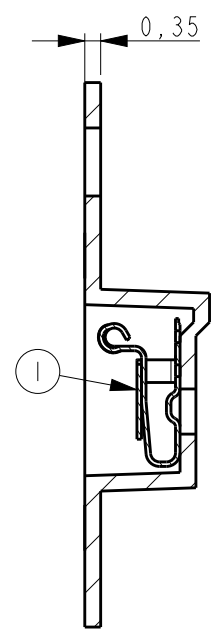
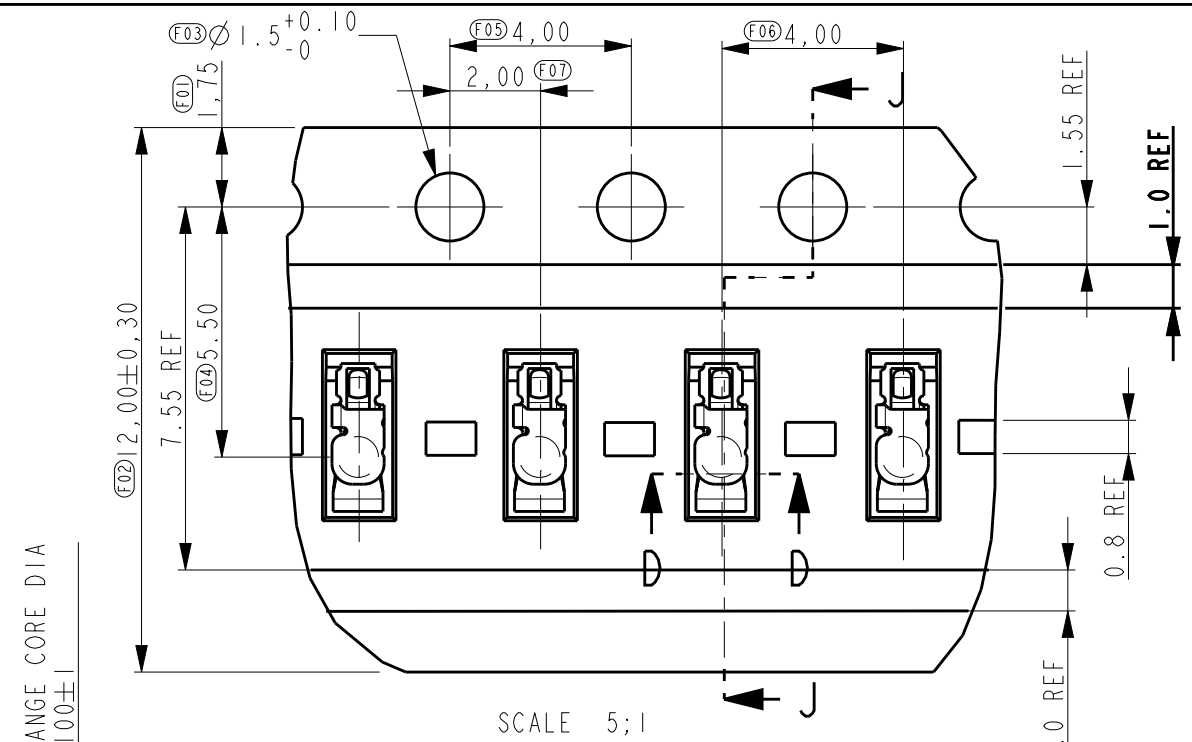


THIS DRAWING IS UNPUBLISHED. RELEASED FOR PUBLICATION
 © COPYRIGHT - BY - ALL RIGHTS RESERVED.

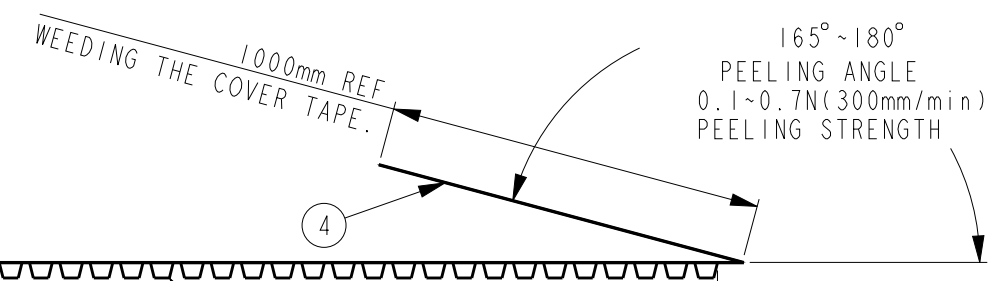
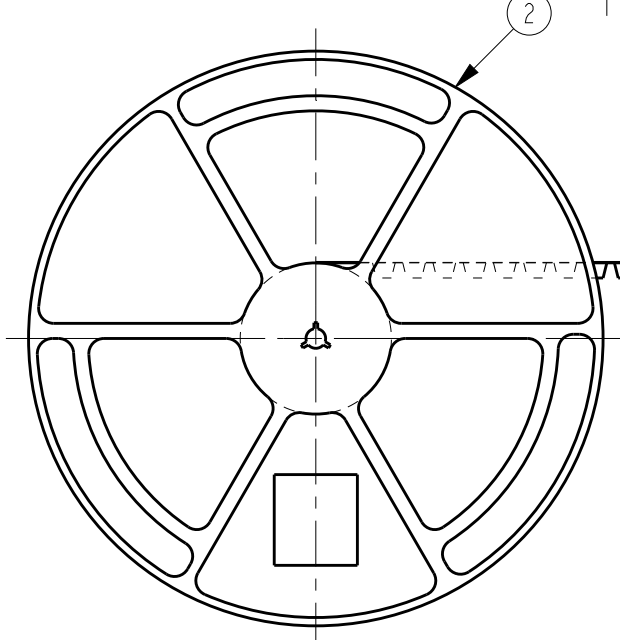
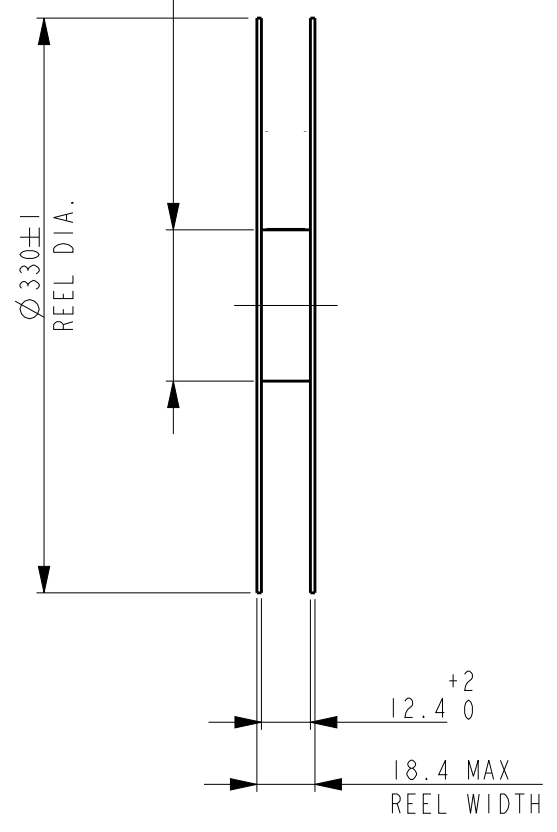
| LOC | DIST | REVISIONS | | | |
|-----|------|-------------|------|-----|------|
| P | LTR | DESCRIPTION | DATE | DWN | APVD |
| ES | 00 | SEE SHEET 1 | - | - | - |



SCALE 5:1

SECTION J-J

SECTION D-D
SCALE 5:1



300 REF WITHOUT CHARGE WITH PRODUCT CHARGE 6000EA/IREEL WITHOUT CHARGE 100~125HOLES

| | | |
|------|---------------------------|------|
| 1 | COVER TAPE (HEAT SEALING) | ④ |
| 1 | EMBOSS | ③ |
| 1 | PLASTIC REEL | ② |
| 6000 | SPRING FINGER | ① |
| QTY | DESCRIPTION | ITEM |

PACKAGING REEL AS SHOWN

| | | | | | |
|--|--|------------------|--|---|--|
| THIS DRAWING IS A CONTROLLED DOCUMENT. | | DWN | | TE Connectivity | |
| DIMENSIONS: mm | | CHK | | | |
| TOLERANCES UNLESS OTHERWISE SPECIFIED: | | APVD | | | |
| 0 PLC ±0.2 1 PLC ±0.1 2 PLC ±0.1 3 PLC ±0.05 4 PLC ± ANGLES ±5° | | PRODUCT SPEC | | | |
| MATERIAL | | FINISH | | NAME | |
| | | | | SPRING FINGER H=1,8 | |
| | | | | SIZE CAGE CODE DRAWING NO RESTRICTED TO | |
| | | | | A3 00779 C=1551572 - | |
| | | CUSTOMER DRAWING | | SCALE 25:1 SHEET 2 OF 2 REV A2 | |

Mouser Electronics

Authorized Distributor

Click to View Pricing, Inventory, Delivery & Lifecycle Information:

[TE Connectivity:](#)

[1551572-5](#)