

RELEASED FOR PUBLICATION

THIS DRAWING IS UNPUBLISHED.


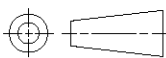
ALL RIGHTS RESERVED.

© COPYRIGHT BY

|     |      |           |     |             |      |     |      |  |
|-----|------|-----------|-----|-------------|------|-----|------|--|
| LOC | DIST | REVISIONS |     |             |      |     |      |  |
| FB  | 00   | P         | LTR | DESCRIPTION | DATE | DWN | APVD |  |
|     |      |           |     | SEE SHEET 1 |      |     |      |  |

| TAPE TYPE | TYPE 2 | W2         | W1   | F   | E    | D    | C  | B    | A         | QTY/REEL | POS | COLOR | ON TAPE P/N |
|-----------|--------|------------|------|-----|------|------|----|------|-----------|----------|-----|-------|-------------|
|           |        | DIMENSIONS |      |     |      |      |    |      |           |          |     |       |             |
|           |        | 49.5       | 45.5 | 6.2 | 40.4 | 29.9 | 44 | 32.9 | 20.2±0.15 | 500      | 20  | BLACK | 7-292230-0  |
|           |        | 49.5       | 45.5 | 4.7 | 40.4 | 28.4 | 44 | 31.4 | 20.2±0.15 | 500      | 19  |       | 6-292230-9  |
|           |        | 49.5       | 45.5 | 6.2 | 40.4 | 26.9 | 44 | 29.9 | 20.2±0.15 | 500      | 18  |       | 6-292230-8  |
|           |        | 49.5       | 45.5 | 4.7 | 40.4 | 25.4 | 44 | 28.4 | 20.2±0.15 | 500      | 17  |       | 6-292230-7  |
|           |        | 49.5       | 45.5 | 6.2 | 40.4 | 23.9 | 44 | 26.9 | 20.2±0.15 | 500      | 16  |       | 6-292230-6  |
|           |        | 49.5       | 45.5 | 4.7 | 40.4 | 22.4 | 44 | 25.4 | 20.2±0.15 | 500      | 15  |       | 6-292230-5  |
|           |        | 49.5       | 45.5 | 6.2 | 40.4 | 20.9 | 44 | 23.9 | 20.2±0.15 | 500      | 14  |       | 6-292230-4  |
|           |        | 49.5       | 45.5 | 4.7 | 40.4 | 19.4 | 44 | 22.4 | 20.2±0.15 | 500      | 13  |       | 6-292230-3  |
|           |        | 37.5       | 33.5 | 6.2 | 28.4 | 17.9 | 32 | 20.9 | 14.2      | 500      | 12  |       | 6-292230-2  |
|           |        | 37.5       | 33.5 | 4.7 | 28.4 | 16.4 | 32 | 19.4 | 14.2      | 500      | 11  |       | 6-292230-1  |
|           |        | 37.5       | 33.5 | 6.2 | 28.4 | 14.9 | 32 | 17.9 | 14.2      | 500      | 10  |       | 6-292230-0  |
|           |        | 37.5       | 33.5 | 4.7 | 28.4 | 13.4 | 32 | 16.4 | 14.2      | 500      | 9   |       | 5-292230-9  |
|           | TYPE 1 | 29.5       | 25.5 | 6.2 | -    | 11.9 | 24 | 14.9 | 11.5      | 500      | 8   |       | 5-292230-8  |
|           |        | 29.5       | 25.5 | 4.7 | -    | 10.4 | 24 | 13.4 | 11.5      | 500      | 7   |       | 5-292230-7  |
|           |        | 29.5       | 25.5 | 6.2 | -    | 8.9  | 24 | 11.9 | 11.5      | 500      | 6   |       | 5-292230-6  |
|           |        | 29.5       | 25.5 | 4.7 | -    | 7.4  | 24 | 10.4 | 11.5      | 500      | 5   |       | 5-292230-5  |
|           |        | 21.5       | 17.5 | 6.2 | -    | 5.9  | 16 | 8.9  | 7.5       | 500      | 4   |       | 5-292230-4  |
|           |        | 21.5       | 17.5 | 4.7 | -    | 4.4  | 16 | 7.4  | 7.5       | 500      | 3   |       | 5-292230-3  |
|           |        | 21.5       | 17.5 | 2.8 | -    | 2.9  | 16 | 5.9  | 7.5       | 500      | 2   |       | -           |
| TAPE TYPE | TYPE 1 | W2         | W1   | F   | E    | D    | C  | B    | A         | QTY/REEL | POS |       | COLOR       |
|           |        | DIMENSIONS |      |     |      |      |    |      |           |          |     |       |             |

| TAPE TYPE | TYPE 2 | W2         | W1   | F   | E    | D    | C  | B    | A         | QTY/REEL | POS | COLOR | ON TAPE P/N |
|-----------|--------|------------|------|-----|------|------|----|------|-----------|----------|-----|-------|-------------|
|           |        | DIMENSIONS |      |     |      |      |    |      |           |          |     |       |             |
|           |        | 49.5       | 45.5 | 6.2 | 40.4 | 29.9 | 44 | 32.9 | 20.2±0.15 | 500      | 20  | BEIGE | 2-292230-0  |
|           |        | 49.5       | 45.5 | 4.7 | 40.4 | 28.4 | 44 | 31.4 | 20.2±0.15 | 500      | 19  |       | 1-292230-9  |
|           |        | 49.5       | 45.5 | 6.2 | 40.4 | 26.9 | 44 | 29.9 | 20.2±0.15 | 500      | 18  |       | 1-292230-8  |
|           |        | 49.5       | 45.5 | 4.7 | 40.4 | 25.4 | 44 | 28.4 | 20.2±0.15 | 500      | 17  |       | 1-292230-7  |
|           |        | 49.5       | 45.5 | 6.2 | 40.4 | 23.9 | 44 | 26.9 | 20.2±0.15 | 500      | 16  |       | 1-292230-6  |
|           |        | 49.5       | 45.5 | 4.7 | 40.4 | 22.4 | 44 | 25.4 | 20.2±0.15 | 500      | 15  |       | 1-292230-5  |
|           |        | 49.5       | 45.5 | 6.2 | 40.4 | 20.9 | 44 | 23.9 | 20.2±0.15 | 500      | 14  |       | 1-292230-4  |
|           |        | 49.5       | 45.5 | 4.7 | 40.4 | 19.4 | 44 | 22.4 | 20.2±0.15 | 500      | 13  |       | 1-292230-3  |
|           |        | 37.5       | 33.5 | 6.2 | 28.4 | 17.9 | 32 | 20.9 | 14.2      | 500      | 12  |       | 1-292230-2  |
|           |        | 37.5       | 33.5 | 4.7 | 28.4 | 16.4 | 32 | 19.4 | 14.2      | 500      | 11  |       | 1-292230-1  |
|           |        | 37.5       | 33.5 | 6.2 | 28.4 | 14.9 | 32 | 17.9 | 14.2      | 500      | 10  |       | 1-292230-0  |
|           |        | 37.5       | 33.5 | 4.7 | 28.4 | 13.4 | 32 | 16.4 | 14.2      | 500      | 9   |       | 292230-9    |
|           | TYPE 1 | 29.5       | 25.5 | 6.2 | -    | 11.9 | 24 | 14.9 | 11.5      | 500      | 8   |       | 292230-8    |
|           |        | 29.5       | 25.5 | 4.7 | -    | 10.4 | 24 | 13.4 | 11.5      | 500      | 7   |       | 292230-7    |
|           |        | 29.5       | 25.5 | 6.2 | -    | 8.9  | 24 | 11.9 | 11.5      | 500      | 6   |       | 292230-6    |
|           |        | 29.5       | 25.5 | 4.7 | -    | 7.4  | 24 | 10.4 | 11.5      | 500      | 5   |       | 292230-5    |
|           |        | 21.5       | 17.5 | 6.2 | -    | 5.9  | 16 | 8.9  | 7.5       | 500      | 4   |       | 292230-4    |
|           |        | 21.5       | 17.5 | 4.7 | -    | 4.4  | 16 | 7.4  | 7.5       | 500      | 3   |       | 292230-3    |
|           |        | 21.5       | 17.5 | 2.8 | -    | 2.9  | 16 | 5.9  | 7.5       | 500      | 2   |       | -           |
| TAPE TYPE | TYPE 1 | W2         | W1   | F   | E    | D    | C  | B    | A         | QTY/REEL | POS |       | COLOR       |
|           |        | DIMENSIONS |      |     |      |      |    |      |           |          |     |       |             |

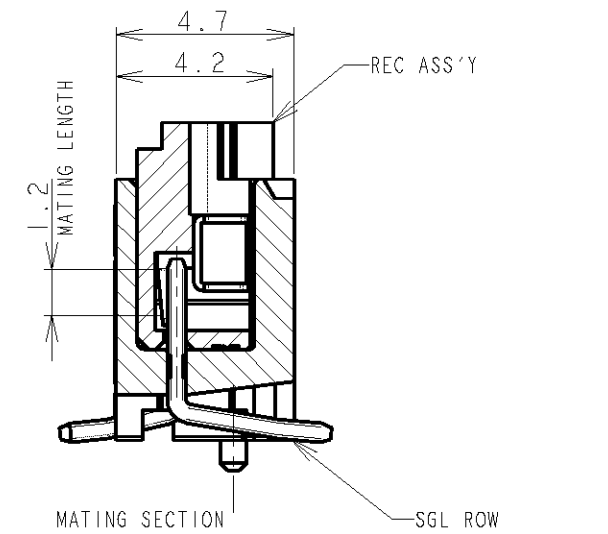
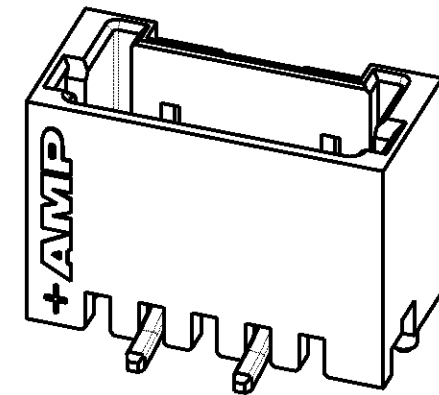
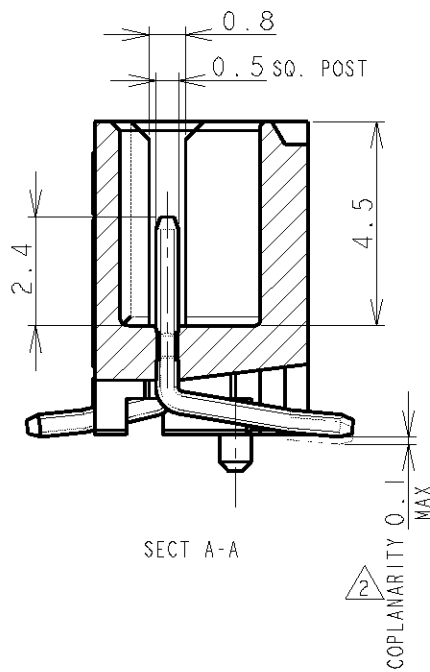
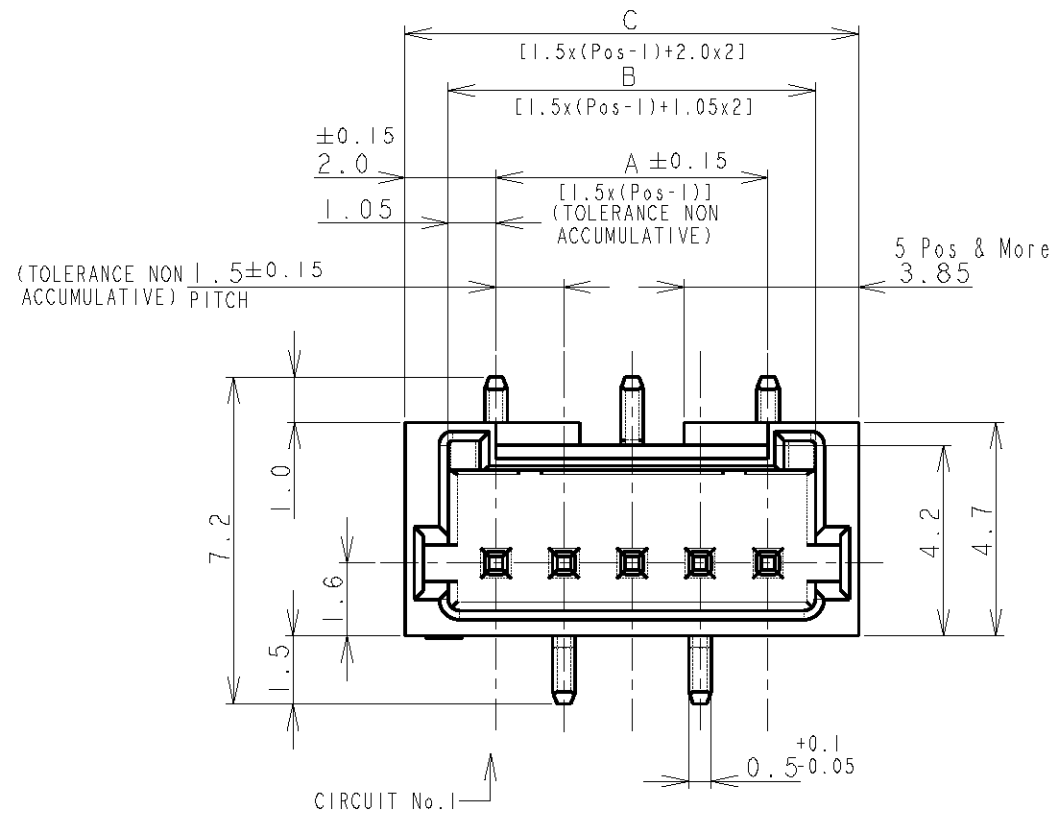
|   |                  |  |               |
|---|------------------|--|---------------|
| DIMENSIONS: mm  | DWN              | MATERIAL   | FINISH        |
| TOLERANCES UNLESS OTHERWISE SPECIFIED:  | CHK              |  <b>TE Connectivity</b> |               |
| 0 PLC ±-  | APVD             |  |               |
| 1 PLC ±0.1  | PRODUCT SPEC     | NAME AMP Mini Common Terminated (CT) Connector 1.5mm PITCH   |               |
| 2 PLC ±0.01   | SEE SHEET 1 OF 4 | SINGLE ROW POST HDR ASS'Y (V)  |               |
| 3 PLC ±0.001  | APPLICATION SPEC | SMT TYPE WITH BOSS, EMBOSS TAPE PACKAGED   |               |
| 4 PLC ±0.0001   | SEE SHEET 1 OF 4 | SIZE   | RESTRICTED TO |
| ANGLES ±-   | WEIGHT           | CAGE CODE  | DRAWING NO    |
|  |                  | A4   | 00779         |
| CUSTOMER DRAWING  |                  | G-292230   |               |
|   |                  | SCALE  | SHEET         |
|   |                  | NON  | 2 OF 4        |
|   |                  |  | REV           |
|   |                  |  | B1            |

THIS DRAWING IS UNPUBLISHED.

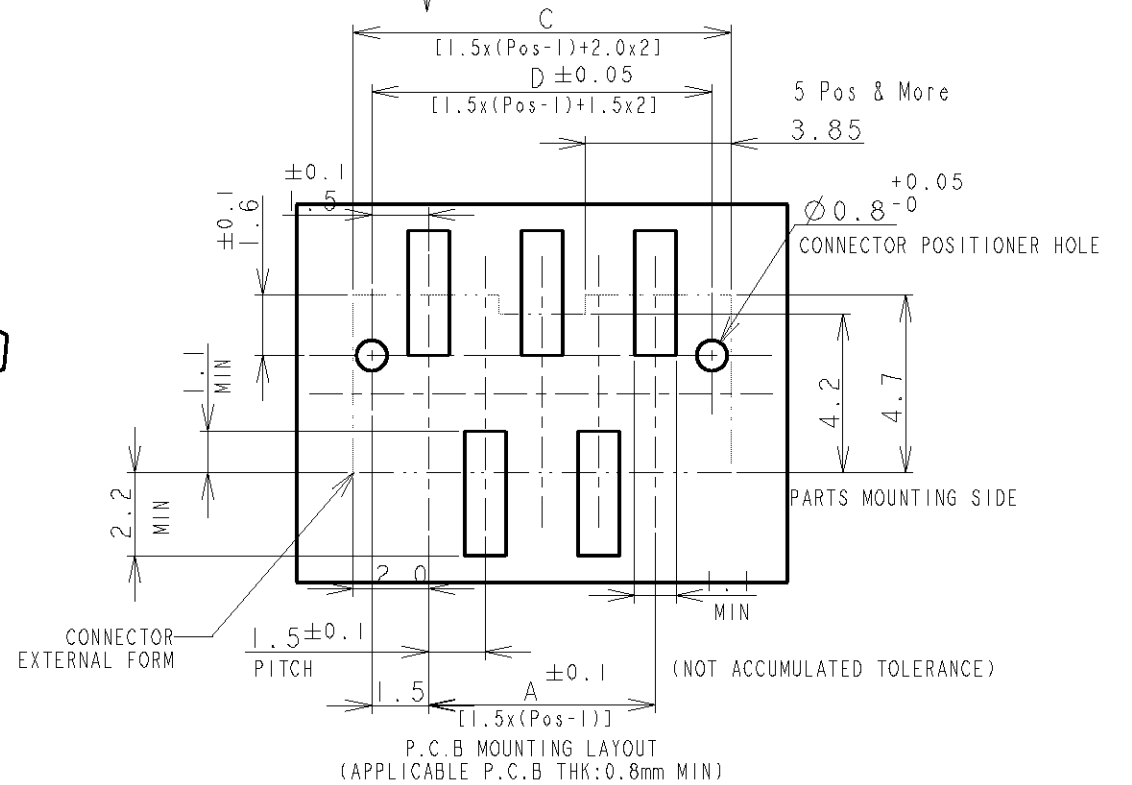
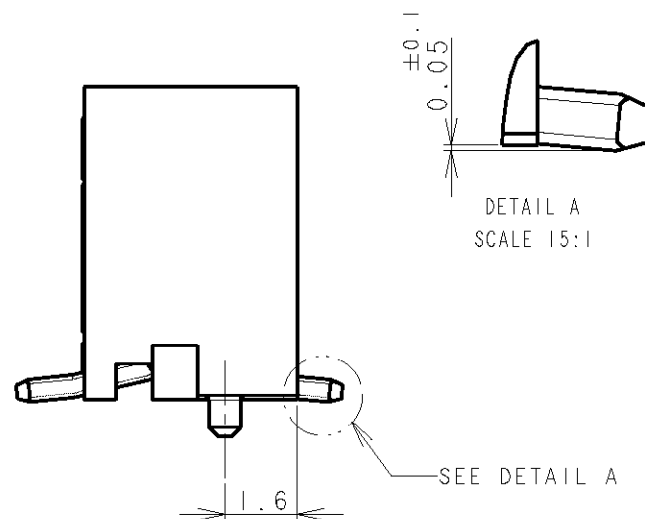
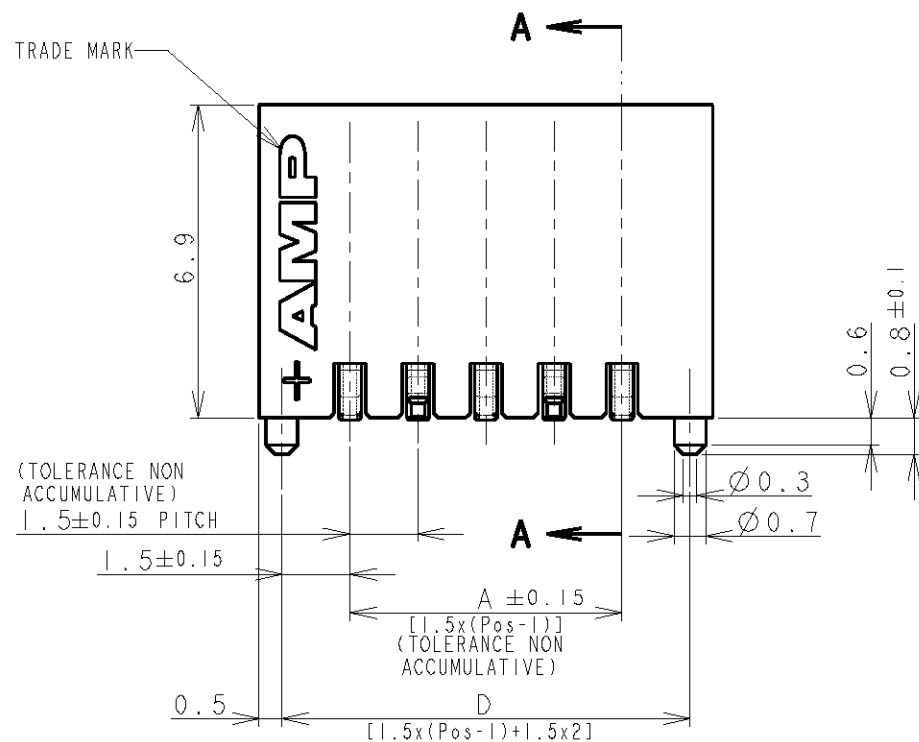
RELEASED FOR PUBLICATION

© COPYRIGHT BY ALL RIGHTS RESERVED.

| LOC | DIST | REVISIONS   |      |     |      |
|-----|------|-------------|------|-----|------|
| P   | LTR  | DESCRIPTION | DATE | DWN | APVD |
| FB  | 00   | SEE SHEET 1 |      |     |      |



CIRCUIT No. 1



NOTES:  
 1. MATERIAL:  
 HOUSING: GLASS FILLED, HIGH HEAT RESISTANT NYLON, UL94V-0, COLOR: BEIGE OR BLACK  
 POST: Sn-100% BRASS WIRE  
 TO BE MEASURED WITH CONNECTOR PLACED ON HORIZONTAL DATUM SURFACE,  
 FLOAT OF SOLDER TINE FROM DATUM SURFACE IS 0.1mm MAX.


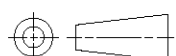
|                  |  |   |           |
|------------------|--|---|-----------|
| DWN              |  | <b>STE</b> TE Connectivity  |           |
| CHK              |  |   |           |
| APVD             |  | NAME  |           |
| PRODUCT SPEC     |  | AMP MINI COMMON TERMINATION (CT) CONNECTOR 1.5 mm PITCH<br>SINGLE ROW POST HDR ASS'Y (V) SMT TYPE WITH BOSS |           |
| APPLICATION SPEC |  | RESTRICTED TO   |           |
| WEIGHT           |  | SIZE  | CAGE CODE |
| MATERIAL         |  | DRAWING NO  |           |
| SEE NOTE 1       |  | A3 00779 C-292230   |           |
| FINISH           |  | CUSTOMER DRAWING  |           |
| SEE NOTE 1       |  | SCALE   | SHEET     |
|                  |  | NON   | 3 OF 4    |
|                  |  | REV B1  |           |

|     |      |           |     |             |      |     |      |
|-----|------|-----------|-----|-------------|------|-----|------|
| LOC | DIST | REVISIONS |     |             |      |     |      |
| FB  | 00   | P         | LTR | DESCRIPTION | DATE | DWN | APVD |
|     |      | -         |     | SEE SHEET 1 | -    | -   | -    |

|            |            |      |      |      |      |            |             |
|------------|------------|------|------|------|------|------------|-------------|
| 0.98       | 31.5       | 32.5 | 30.6 | 28.5 | 20   | 7-292230-0 | 2-292230-0  |
| 0.93       | 30.0       | 31.0 | 29.1 | 27.0 | 19   | 6-292230-9 | 1-292230-9  |
| 0.89       | 28.5       | 29.5 | 27.6 | 25.5 | 18   | 6-292230-8 | 1-292230-8  |
| 0.84       | 27.0       | 28.0 | 26.1 | 24.0 | 17   | 6-292230-7 | 1-292230-7  |
| 0.80       | 25.5       | 26.5 | 24.6 | 22.5 | 16   | 6-292230-6 | 1-292230-6  |
| 0.75       | 24.0       | 25.0 | 23.1 | 21.0 | 15   | 6-292230-5 | 1-292230-5  |
| 0.71       | 22.5       | 23.5 | 21.6 | 19.5 | 14   | 6-292230-4 | 1-292230-4  |
| 0.66       | 21.0       | 22.0 | 20.1 | 18.0 | 13   | 6-292230-3 | 1-292230-3  |
| 0.62       | 19.5       | 20.5 | 18.6 | 16.5 | 12   | 6-292230-2 | 1-292230-2  |
| 0.57       | 18.0       | 19.0 | 17.1 | 15.0 | 11   | 6-292230-1 | 1-292230-1  |
| 0.52       | 16.5       | 17.5 | 15.6 | 13.5 | 10   | 6-292230-0 | 1-292230-0  |
| 0.48       | 15.0       | 16.0 | 14.1 | 12.0 | 9    | 5-292230-9 | 292230-9    |
| 0.43       | 13.5       | 14.5 | 12.6 | 10.5 | 8    | 5-292230-8 | 292230-8    |
| 0.39       | 12.0       | 13.0 | 11.1 | 9.0  | 7    | 5-292230-7 | 292230-7    |
| 0.34       | 10.5       | 11.5 | 9.6  | 7.5  | 6    | 5-292230-6 | 292230-6    |
| 0.30       | 9.0        | 10.0 | 8.1  | 6.0  | 5    | 5-292230-5 | 292230-5    |
| 0.25       | 7.5        | 8.5  | 6.6  | 4.5  | 4    | 5-292230-4 | 292230-4    |
| 0.20       | 6.0        | 7.0  | 5.1  | 3.0  | 3    | 5-292230-3 | 292230-3    |
| 0.17       | 4.5        | 5.5  | 3.6  | 1.5  | 2    | -          | -           |
| WEIGHT (g) | D          | C    | B    | A    | Pos. | BLACK      | BEIGE (NAT) |
|            | DIMENSIONS |      |      |      |      | P/N        |             |

THIS DRAWING IS UNPUBLISHED. ALL RIGHTS RESERVED.

COPYRIGHT BY

|   |        |                  |  |                     |
|---|--------|------------------|--|---------------------|
| DIMENSIONS: mm  |        | DWN              | MATERIAL   | FINISH              |
| TOLERANCES UNLESS OTHERWISE SPECIFIED:  |        | CHK              | SEE SHEET 1  | SEE SHEET 1         |
| 0 PLC ±   | APVD   | PRODUCT SPEC     |  <b>TE Connectivity</b> |                     |
| 1 PLC ±   |        | APPLICATION SPEC |  |                     |
| 2 PLC ±   |        | NAME             | AMP MINI COMMON TERMINATED (CT) CONNECTOR 1.5 mm PITCH   |                     |
| 3 PLC ±   |        | NAME             | SINGLE ROW POST HDR ASS'Y (V) SMT TYPE WITH BOSS   |                     |
| 4 PLC ±   | WEIGHT | SIZE             | CAGE CODE  | DRAWING NO          |
| ANGLES ±  |        | A4               | 00779  | C-292230            |
|  |        | CUSTOMER DRAWING |  | RESTRICTED TO       |
|   |        | SCALE            | NON  | SHEET 4 OF 4 REV B1 |

# Mouser Electronics

Authorized Distributor

Click to View Pricing, Inventory, Delivery & Lifecycle Information:

[TE Connectivity:](#)

[292230-9](#)