

RATING AND CHARACTERISTIC CURVES (CDSU400B-HF)

Fig.1 - Forward Characteristics

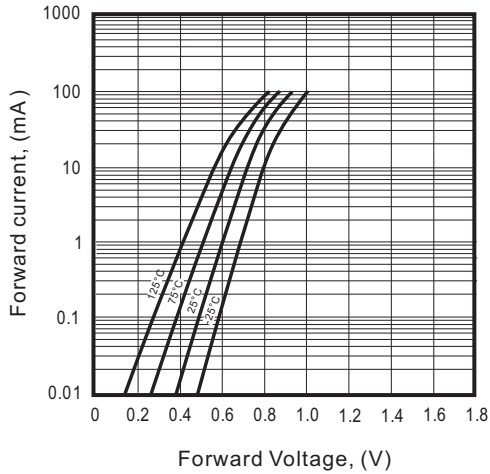


Fig.2 - Reverse Characteristics

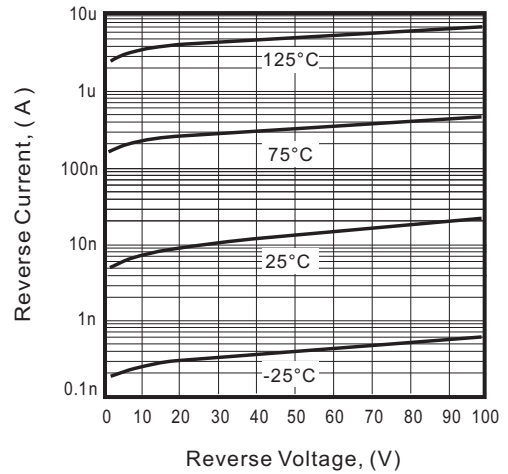


Fig.3 - Capacitance Between Terminals Characteristics

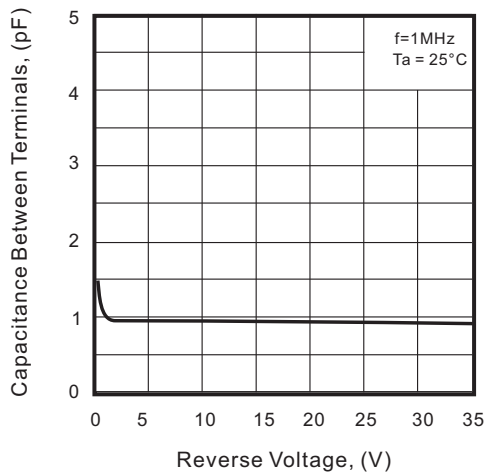
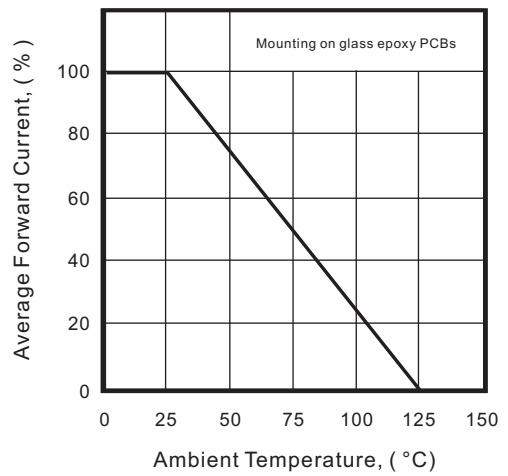
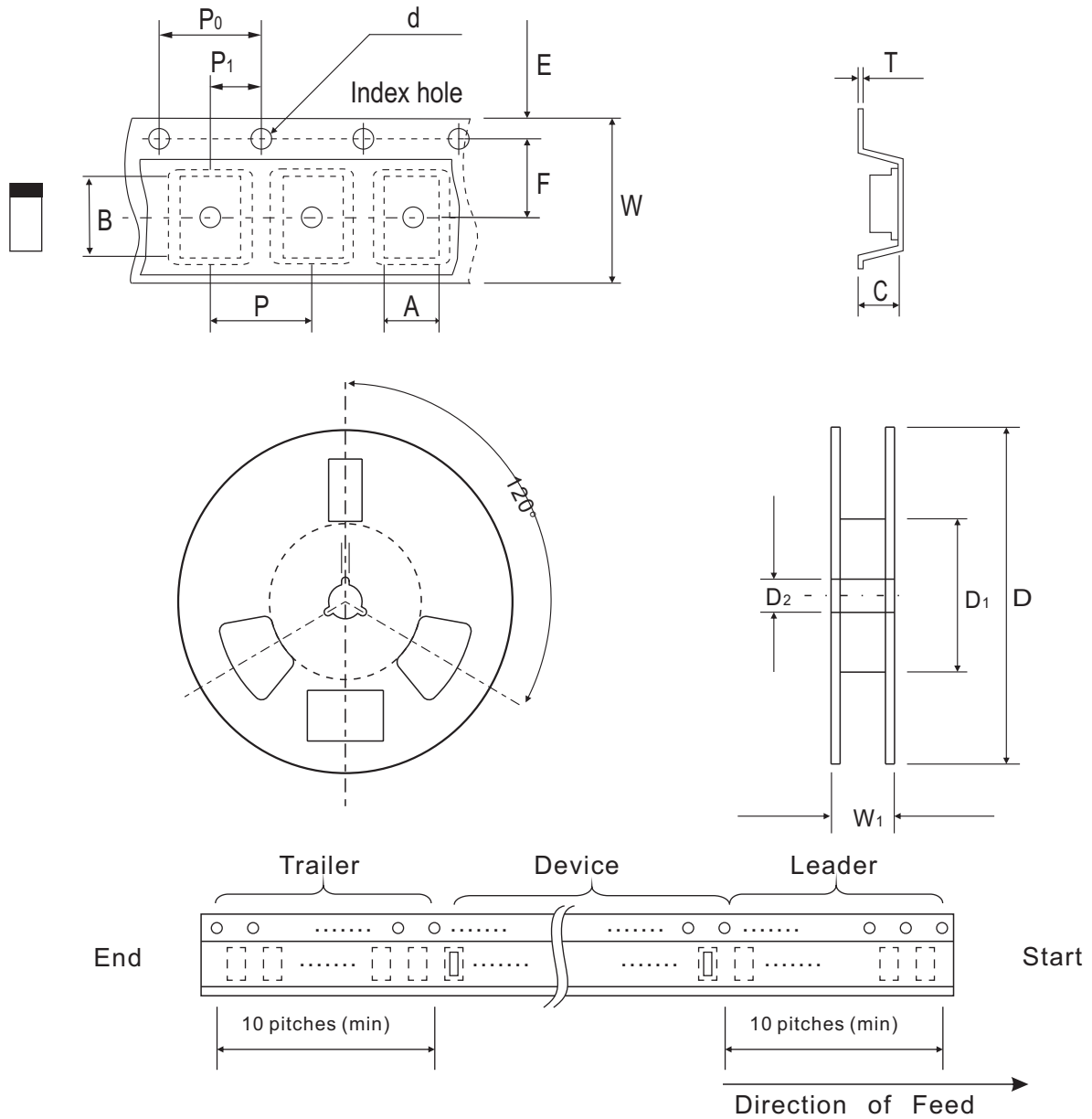


Fig.4 - Current Derating Curve



Reel Taping Specification



| | | | | | | | | |
|--------------------|--------|---------------|---------------|---------------|---------------|--------------|----------------|----------------|
| 0603 (SOD-523F) | SYMBOL | A | B | C | d | D | D ₁ | D ₂ |
| | (mm) | 1.00 ± 0.10 | 1.85 ± 0.10 | 1.00 ± 0.10 | 1.55 ± 0.10 | 178 ± 1.00 | 60.0 MIN. | 13.0 ± 0.20 |
| | (inch) | 0.039 ± 0.004 | 0.073 ± 0.004 | 0.039 ± 0.004 | 0.061 ± 0.004 | 7.008 ± 0.04 | 2.362 MIN. | 0.512 ± 0.008 |

| | | | | | | | | | |
|--------------------|--------|---------------|---------------|---------------|----------------|----------------|---------------|---------------|------------|
| 0603 (SOD-523F) | SYMBOL | E | F | P | P ₀ | P ₁ | T | W | W |
| | (mm) | 1.75 ± 0.10 | 3.50 ± 0.05 | 4.00 ± 0.10 | 4.00 ± 0.10 | 2.00 ± 0.10 | 0.23 ± 0.05 | 8.00 ± 0.20 | 13.50 MAX. |
| | (inch) | 0.069 ± 0.004 | 0.138 ± 0.002 | 0.157 ± 0.004 | 0.157 ± 0.004 | 0.079 ± 0.004 | 0.009 ± 0.002 | 0.315 ± 0.008 | 0.531 MAX. |

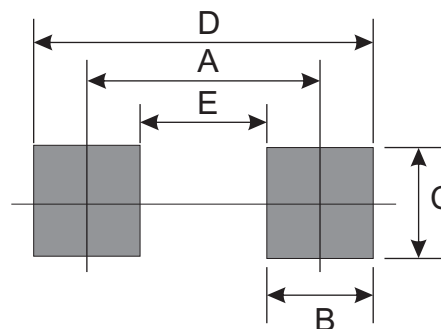
Marking Code

| Part Number | Marking Code |
|-------------|--------------|
| CDSU400B-HF | S4 |



Suggested PAD Layout

| SIZE | 0603/SOD-523F | |
|------|---------------|--------|
| | (mm) | (inch) |
| A | 1.70 | 0.067 |
| B | 0.60 | 0.024 |
| C | 0.80 | 0.031 |
| D | 2.30 | 0.091 |
| E | 1.10 | 0.043 |



Standard Packaging

| Case Type | Qty Per Reel | Reel Size |
|---------------|--------------|-----------|
| | (Pcs) | (inch) |
| 0603/SOD-523F | 4,000 | 7 |

Mouser Electronics

Authorized Distributor

Click to View Pricing, Inventory, Delivery & Lifecycle Information:

[Comchip Technology:](#)

[CDSU400B](#) [CDSU400B-HF](#)