

REVISED HISTORY

CUSTOMER PRODUCT NAME: _____

TDK PRODUCT NAME:

WR-383250-17M2-G

NO.	REV.	REVISED CONTENT	REVISED REASON	DATE
1	0	To establish specification		2012.12.17
2				
3				



PRODUCT SPECIFICATION

TDK PRODUCT NAME:

WR-383250-17M2-G

SPEC. NO.

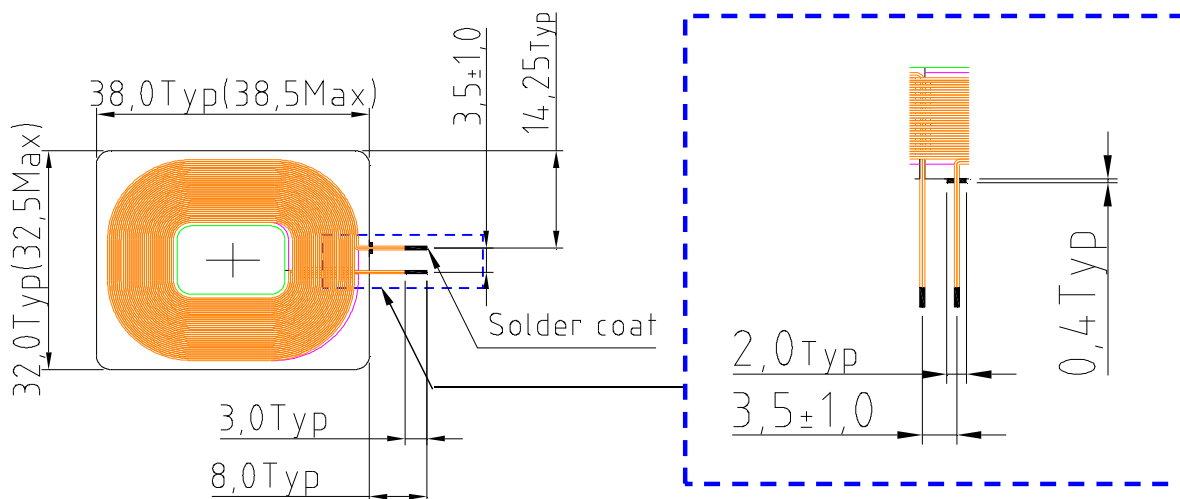
CUSTOMER PRODUCT NAME:

(1) Appearance & Dimensions (Unit: mm)

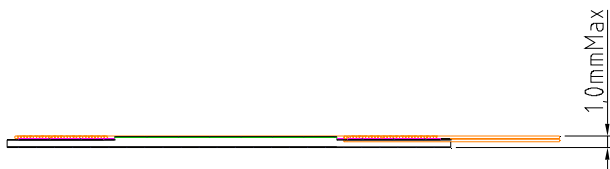
Weight: 4.19g (Typ.)

TOP VIEW

Lead wire pitch
(Promised position)



SIDE VIEW



[Remarks]

1. Lead Wire Pitch is the end of wire position, not Output terminal.
2. Marking Content:

a. T: Manufacturing Centers

b. Lot No.: □□ ○○ △△

(1) (2) (3)

(1) Year: A.D. end number in double

(2) Month: Jan.(01) , Feb.(02)...Dec.(12)

(3) Day: 01,02,03,...31.

LOT NO.



PRODUCT SPECIFICATION

TDK PRODUCT NAME: WR-383250-17M2-G	SPEC. NO.	CUSTOMER PRODUCT NAME:
--	-----------	------------------------

(2) Air coil specification

Wire Diameter: $\phi 0.25 \times 2$ (Bifilar Winding Coil)

Coil Turns: 17Ts

(3) Electrical Characteristics

No.	Parameter	Specification	Test Instrument
1	Inductance	11.1 $\mu\text{H} \pm 5\%$	HP 4284A DIGITAL LCR METER or EQUIVALENT (@100kHz 1.0 Vrms)
2	DC Resistance	0.27 Ω Max (At 25°C)	CHEN HWA 502A METER or EQUIVALENT

(4) Temperature Characteristics

No.	Parameter	Specification
1	Operating Temperature	-30~70°C
2	Storage Temperature	-40~85°C

(5) Application

1. Reflow and dip-flow soldering can not used for this product.
2. The product fit in with RoHS rule.
3. The product fit in with Halogen-Free.

PRODUCT SPECIFICATION

TDK PRODUCT NAME: WR-383250-17M2-G	SPEC. NO.	CUSTOMER PRODUCT NAME:
--	-----------	------------------------

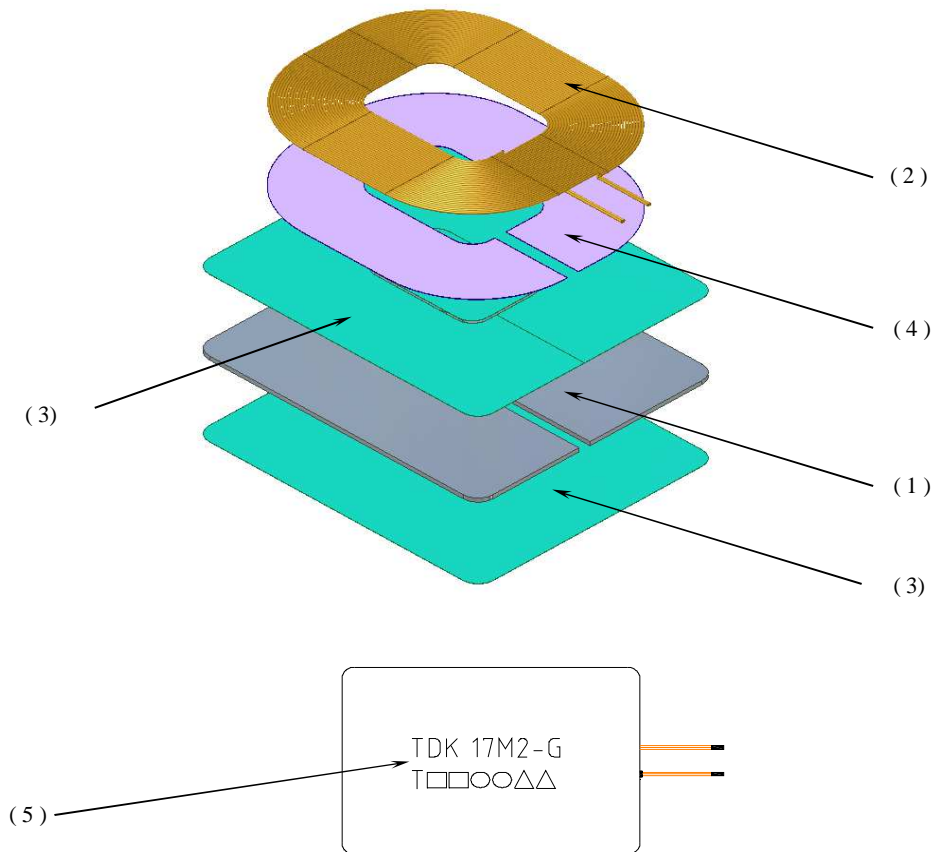
(6) Reliability Conditions

No.	Parameter	Conditions
1	Low Temperature (Storage)	(1) Temperature : $-40\pm 2^{\circ}\text{C}$ (2) Time : 240Hrs
2	High Temperature (Storage)	(1) Temperature : $+85\pm 2^{\circ}\text{C}$ (2) Time : 240Hrs
3	Thermal Shock (Storage)	(1) Temperature : $-40\pm 5^{\circ}\text{C}$ / 30min ~ $+85\pm 5^{\circ}\text{C}$ / 30min (2) Ambient Time : 5min (3) Times : 100cycles
4	Vibration	Unpacked: (1) frequency: 10~500Hz sweep octave wave (1 oct/ min) (2) Amplitude: 10G or 1.5mm P-P (3) Testing time : XYZ 2h/axis, total 6h
5	Shock Test	Fixed within the jig (1) Acceleration : $1000\text{m} / \text{s}^2$ (2) Pulse width : 6 msec (3) Direction : $\pm X$, $\pm Y$, $\pm Z$ (4) Frequency of shock : 3 times each (Total 18 times) Half-sine shock (1) 200G, 3ms(Gravity) (2) One shock per face (3) Total 6 shocks
6	Temperature / Humidity (Storage)	(1) Temperature : $+60\pm 2^{\circ}\text{C}$ (2) Humidity: 90% RH. (3) Time: 240Hrs
7	Drop Test	(1) Height : 160cm to the concrete floor (fixture weight : 160g) (2) Direction : 6 directions (3) Times : 3 times / direction
8	Package Drop	(1) Drop the sample package in a carton box. (2) Height : 100 cm (3) Direction : 1corner, 3 edges, 6 faces (4) Drop time : 16 times

PRODUCT SPECIFICATION

TDK PRODUCT NAME: WR-383250-17M2-G	SPEC. NO.	CUSTOMER PRODUCT NAME:
--	-----------	------------------------

(7) Construction



(8) Material List

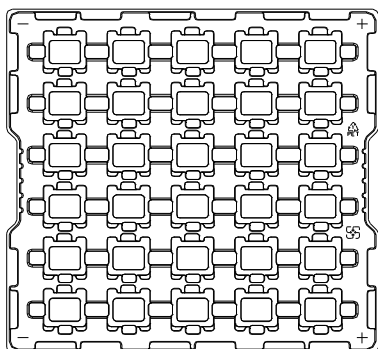
No.	Material Name
1	Iron Sheet
2	PET Tape
3	Adhesive Tape
4	Air Coil
5	Ink

PRODUCT SPECIFICATION

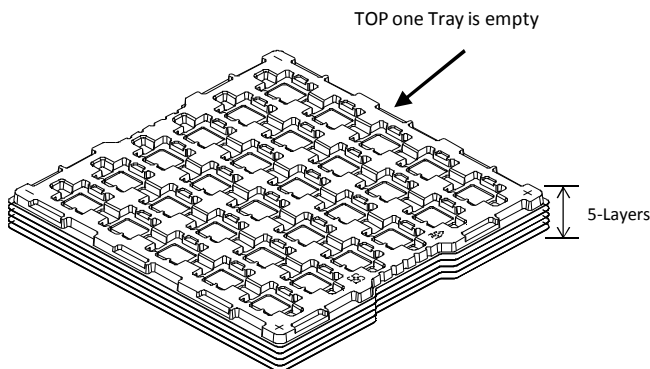
TDK PRODUCT NAME: WR-383250-17M2-G	SPEC. NO.	CUSTOMER PRODUCT NAME:
--	-----------	------------------------

(9) Packing

- To stack the the Trays onto 5 Layers. :
 - PET tray dimension: 326*329*9.5mm (REF.)
 - 30 Pcs / per PET tray



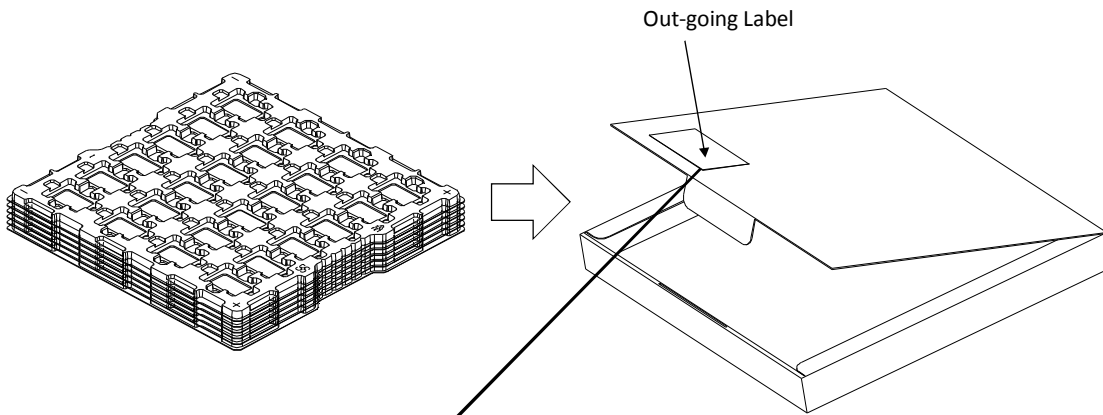
Total : 6x5=30 pcs



Total : 30x4=120 pcs

- To put 5 Trays of products into the small Carton and affixing the out-going label on the outside .

- Small carton dimension: 331*337*33mm (REF.)
- 5 PET Trays / per small carton (One PET tray of the top side is empty in the small carton)



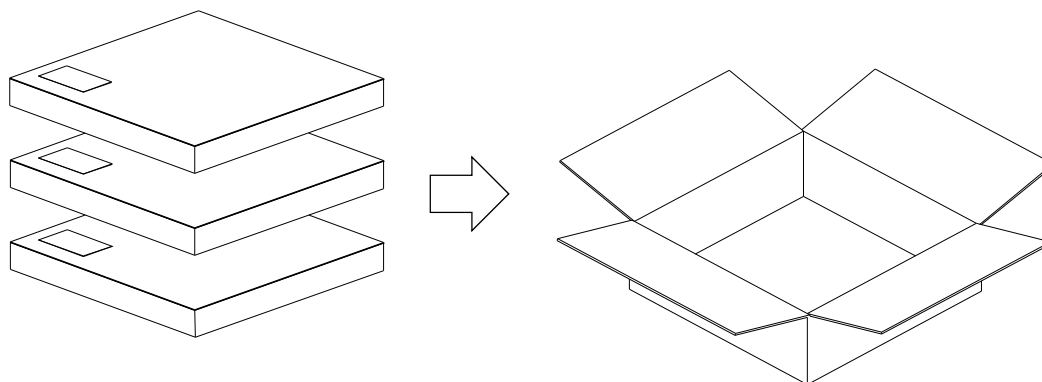
CUST PROD ID(P): WR-383250-17M2-XX		Customer
		ROHS
QTY(Q): 120	(6P):TXDF10108TWN050009010	
TDK ITEM(IP): R-383250-17M2-XX	VDR(V):TDK	
LOT NO(IT): WL11K06001+M0001	DATE CODE(T): 1143	0001
		001/014
2011/10/09	MADE IN TAIWAN	12296A1181
(ITEM:WR-383250-17M2-XX)	(1M)TTXDF10108	(S)
		TDK TAIWAN CORPORATION

Out-going Label

PRODUCT SPECIFICATION

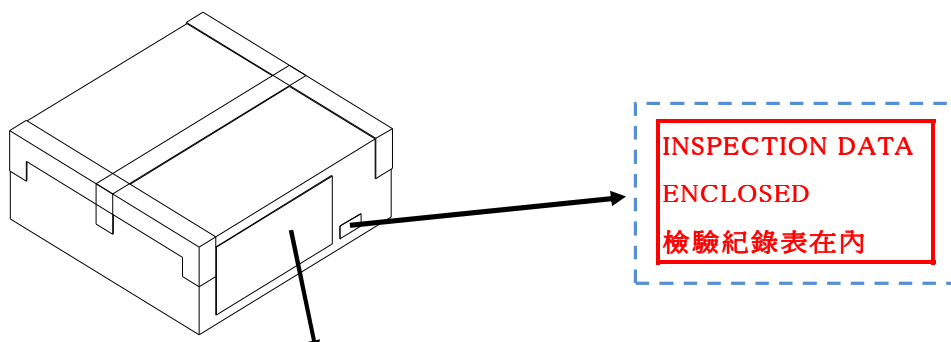
TDK PRODUCT NAME: WR-383250-17M2-G	SPEC. NO.	CUSTOMER PRODUCT NAME:
--	-----------	------------------------

3. To put 3 small carton into the Carton .
- Outer carton dimension: 347*340*124mm (REF.)
 - 3 small cartons / per outer carton
 - Total quantity : 360 Pcs



4. Packing.

- To pack the carton by scotch tape and affix out-going label (outside) on it outside.
- The inspection data in the box , there would be a signet mark on it outside.



(3S) TTW+WL11K0600200101400000360		CUSTOMER: Customer	
[Barcode]		CUST. PART NO(P): 54H20323-00M	
(6S) C/NO:1	BOX COUNT	[Barcode]	
[Barcode]	001/014	TDK ITEM CODE(6P): TXDF10108TWN	
SHIPPING MARK		P/O NO.(K): 929429-10	
[Barcode]		[Barcode]	
Customer		LOT NO.(IT): WL11K06002	DATE:
SHENZHEN		[Barcode]	Dec.19.2011
MADE IN TAIWAN		QTY(Q): 360	[Barcode]
WL11K06002		TDK ITEM (IP): WR-383250-17M2-XX	
12296A1181		[Barcode]	
[Barcode]		(WR-383250-17M2-XX)	
C/NO:1		SUB P/O NO.(6K): -10	
WAREHOUSE		[Barcode]	
(CT)		TDK SPEC.	
NW 3.3	GW 3.8	TDK TAIWAN CORPORATION	YANGMI, TAIWAN
14		[Barcode]	
		TXDF10108	