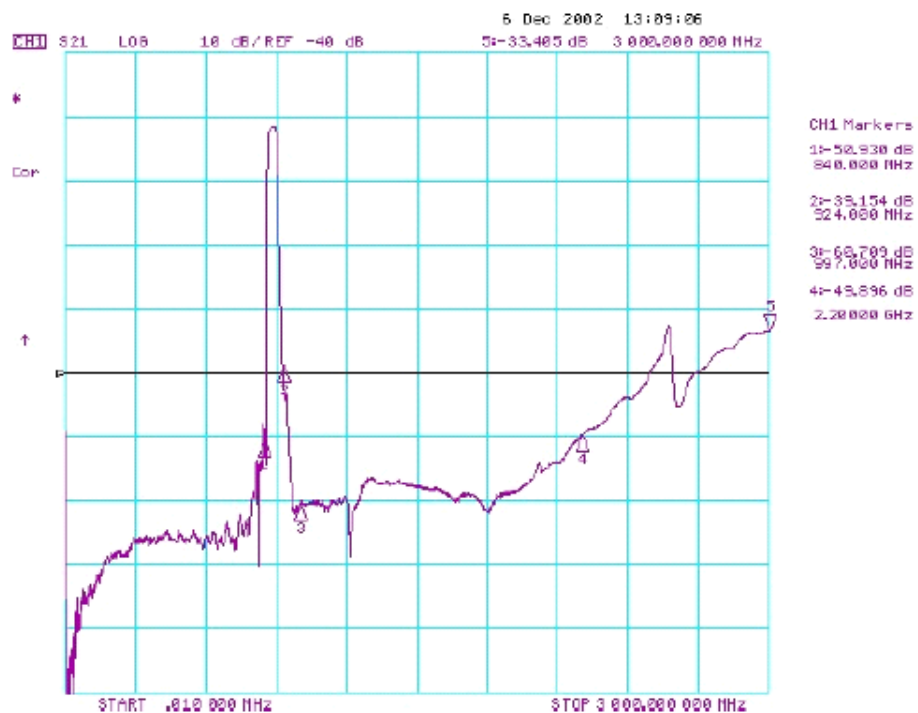
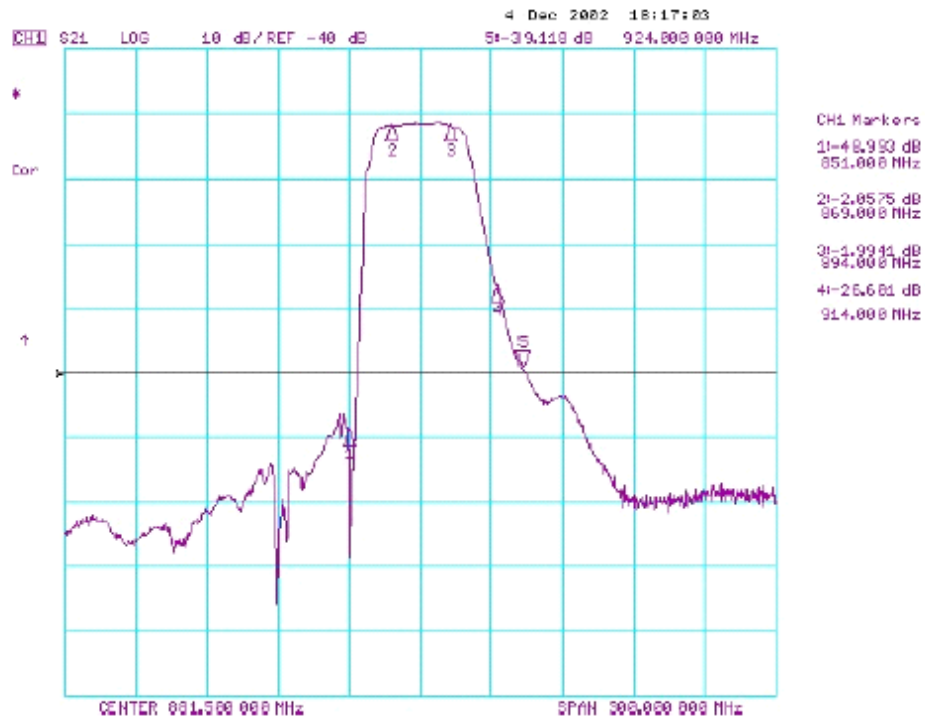
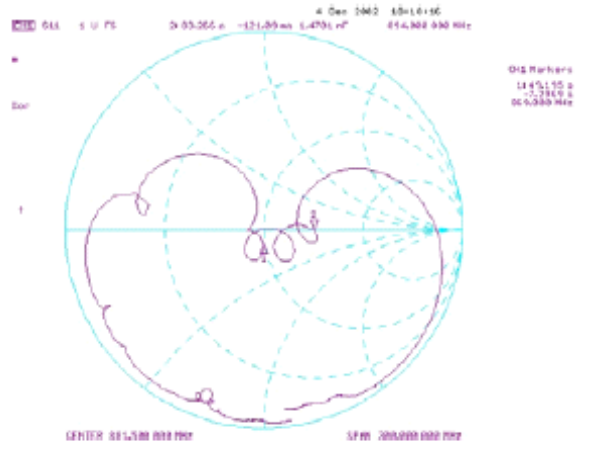
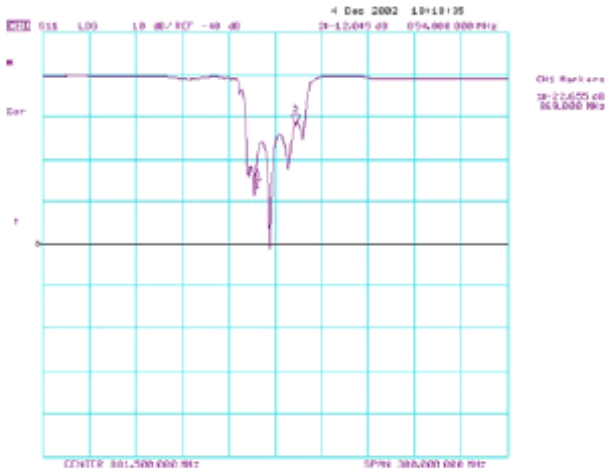


## F. Frequency Characteristics :

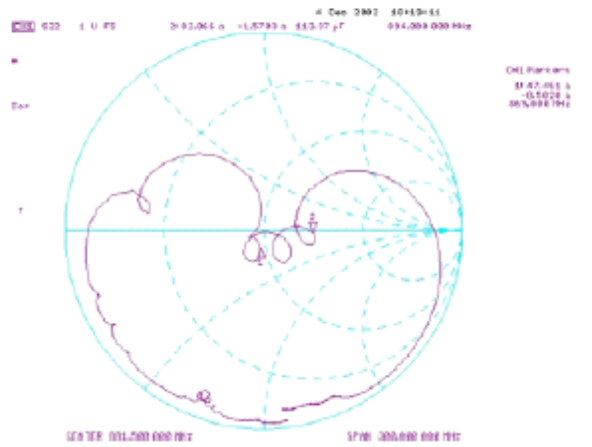
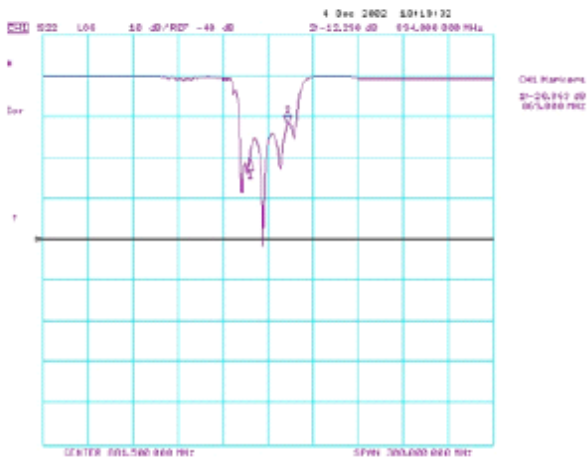
### Transfer function



# S11:

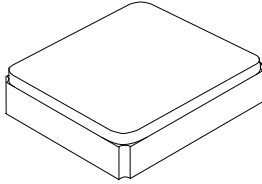


# S22:



# SM2520-4 Case

## 4-Terminal Ceramic Surface-Mount Case 2.5 X 2.0 mm Nominal Footprint



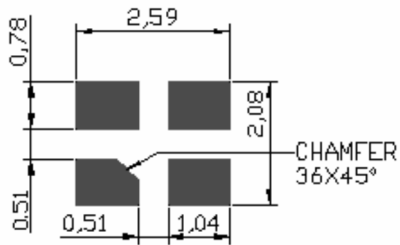
### Case Dimensions

Dimension	mm	
	Nom	
A		2.0
B		2.5
C		1.0
E		0.95
F		0.70
G		0.60

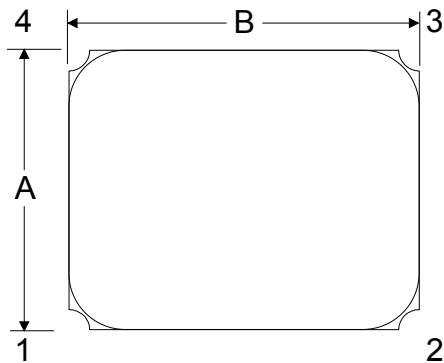
### Electrical Connections

Connection		Terminals
Port 1	Single-ended Input	1
Port 2	Single-ended Output	3
	Ground	All others
<b>Single-ended Operation Only</b>		

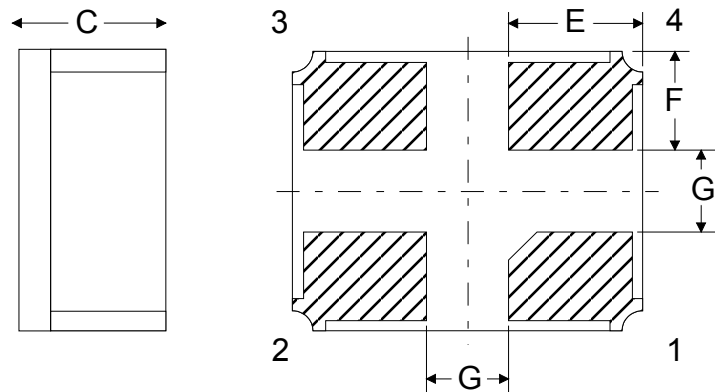
### PCB Foot Print



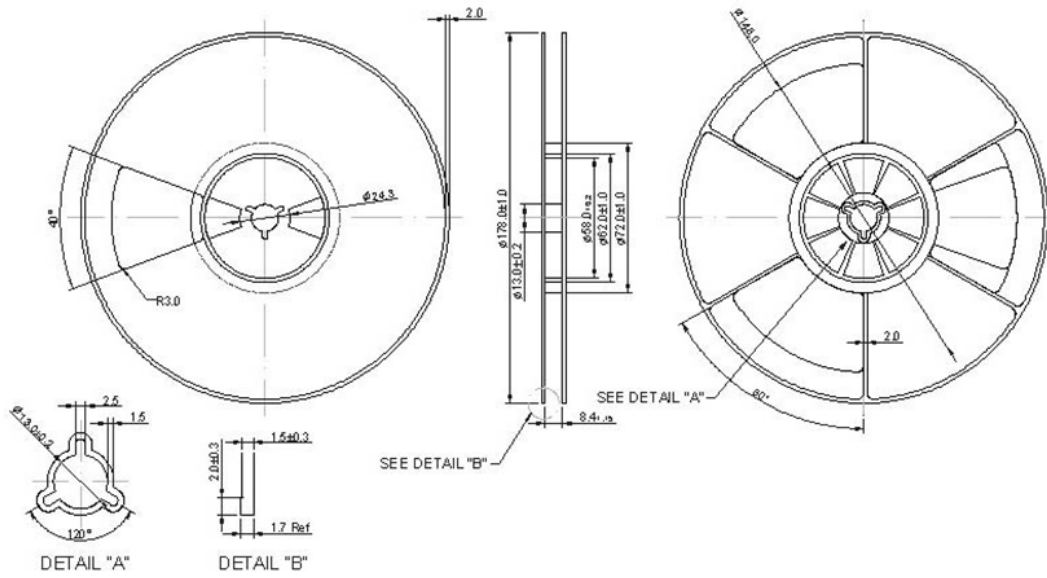
### TOP VIEW



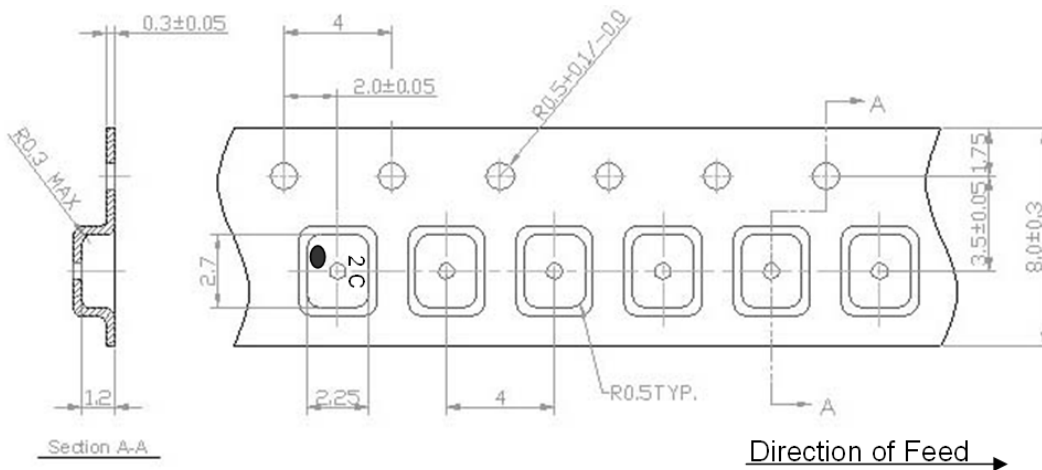
### BOTTOM VIEW



## Reel Dimension



## Tape Dimension



# Mouser Electronics

Authorized Distributor

Click to View Pricing, Inventory, Delivery & Lifecycle Information:

[Murata:](#)

[SF1183G](#)