

VSC8490

Dual Channel WAN/LAN/Backplane RXAUI/XAUI to SFP+/KR 10 GbE SerDes PHY with VeriTime™ and MACsec

Range of Support

- IEEE 1588v2/Y.1731 OAM precision timing support to within 4 ns accuracy at 1.25 Gbps and 10.3 Gbps
- Compliant to IEEE 802.1AE specifications for 128/256-bit MACsec support
- Compliant to IEEE 802.3ae and SFF-8431 electrical (SFI) specifications
- 9.95 Gbps WAN and 10.3 Gbps LAN operation, as well as 1.25 Gbps Ethernet support
- Supports all standard SFP+ applications
- Support for 10GBASE-KR (IEEE 802.3ap) for 10G backplanes, including 1.25 Gbps and 10.3 Gbps auto-negotiation
- Adaptive equalization receiver and programmable, multitap transmitter pre-emphasis
- Synchronous Ethernet support
- MDIO/SPI and two-wire serial slave management interfaces

Key Specifications

- 1.25 W typical for each bidirectional channel
- 1.2 V and 1.0 V core power supplies (2.5 V TTL supply)

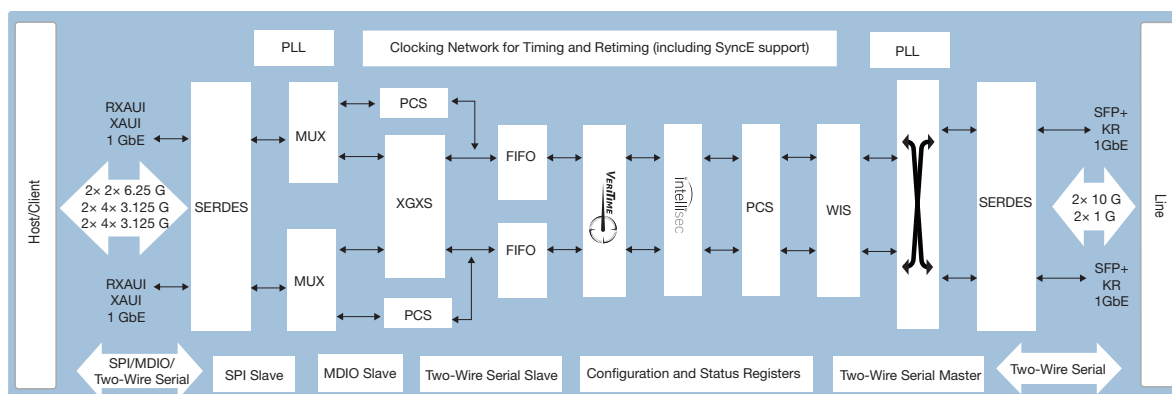
Flexibility

- Failover switching and lane ordering
- VScope input signal monitoring integrated circuit
- Host-side and line-side loopbacks with BIST functions
- I/O programmability for lane swap, invert, amplitude, slew, pre-emphasis, and equalization
- Optional forward error correction (FEC)
- Flexible clocking options enable Layer 1 support for Synchronous Ethernet
- Passive copper cable support for minimum transmission cost

Related Products

Visit www.microsemi.com for information about these related products:

- VSC8487-15
- VSC8488-15
- VSC8489
- VSC8491
- VSC8572/VSC8574
- VSC8584



Microsemi Corporate Headquarters
 One Enterprise, Aliso Viejo, CA 92656 USA
 Within the USA: +1 (800) 713-4113
 Outside the USA: +1 (949) 380-6100
 Sales: +1 (949) 380-6136
 Fax: +1 (949) 215-4996
 email: sales.support@microsemi.com
www.microsemi.com

Microsemi Corporation (Nasdaq: MSCC) offers a comprehensive portfolio of semiconductor and system solutions for communications, defense and security, aerospace, and industrial markets. Products include high-performance and radiation-hardened analog mixed-signal integrated circuits, FPGAs, SoCs, and ASICs; power management products; timing and synchronization devices and precise time solutions; voice processing devices; RF solutions; discrete components; enterprise storage and communications solutions, security technologies, and scalable anti-tamper products; Ethernet solutions; Power-over-Ethernet ICs and midspans; custom design capabilities and services. Microsemi is headquartered in Aliso Viejo, California, and has approximately 4,800 employees worldwide. Learn more at www.microsemi.com.

Mouser Electronics

Authorized Distributor

Click to View Pricing, Inventory, Delivery & Lifecycle Information:

[Microchip:](#)

[VSC8490YJU-13](#) [VSC8490YJU-10](#) [VSC8490YJU-17](#) [VSC8490YJU-14](#) [VSC8490YJU-11](#)