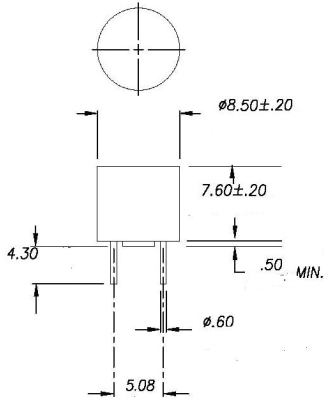
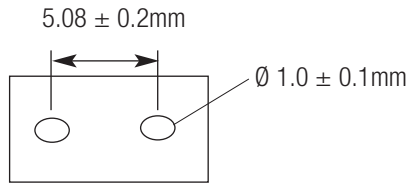


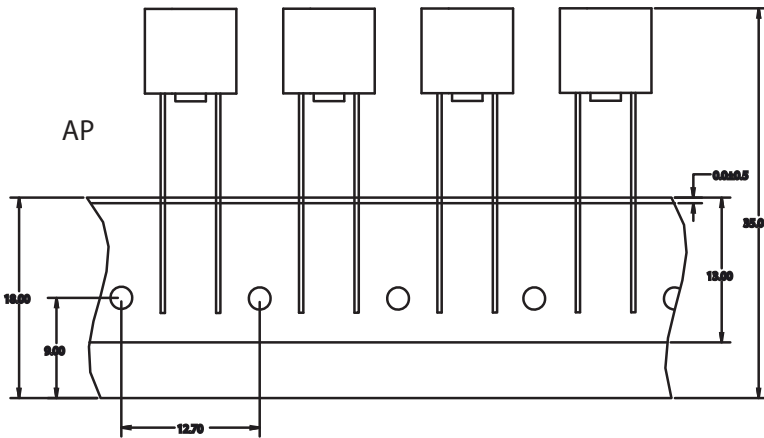
Dimensions – mm



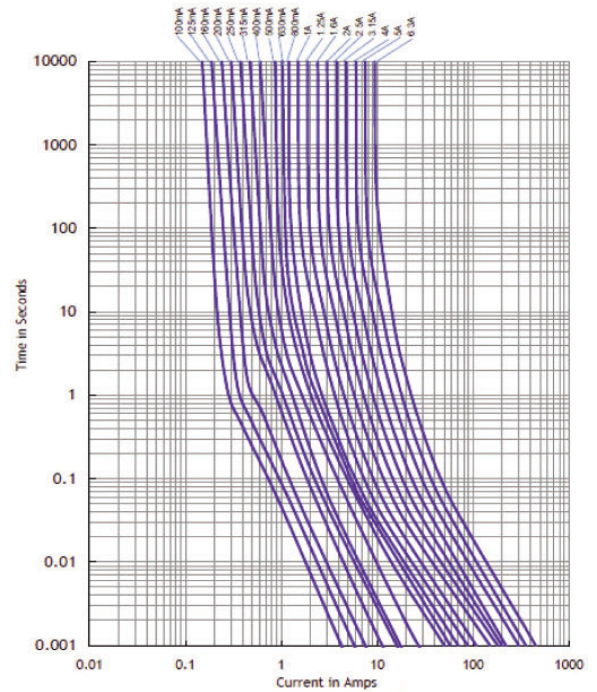
Land Pattern



Packaging Information – mm

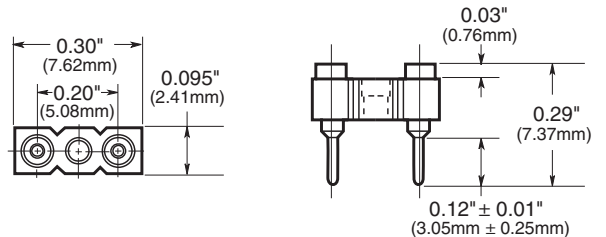


Time-Current Curves



PCS Mounting Socket (RoHS compliant)- mm [in]

- Available as option. Specify catalog number BK-PCS (in bulk 100 per bag)



Packaging Code	
Packaging Code Suffix	Description
-AP	Ammo-pack taped 1000 per box (see Packaging Information for lead configurations)
-BK	In bulk 200 per bag (see Packaging Information for lead configurations)

Life Support Policy: Eaton does not authorize the use of any of its products for use in life support devices or systems without the express written approval of an officer of the Company. Life support systems are devices which support or sustain life, and whose failure to perform, when properly used in accordance with instructions for use provided in the labeling, can be reasonably expected to result in significant injury to the user.

Eaton reserves the right, without notice, to change design or construction of any products and to discontinue or limit distribution of any products. Eaton also reserves the right to change or update, without notice, any technical information contained in this bulletin.

Eaton
Electronics Division
1000 Eaton Boulevard
Cleveland, OH 44122
United States
eaton.com/electronics

© 2019 Eaton
All Rights Reserved
Printed in USA
Publication No. 4347 PCN19017M
December 2019

Eaton is a registered trademark.
All other trademarks are property of their respective owners.

Follow us on social media to get the latest product and support information.



Mouser Electronics

Authorized Distributor

Click to View Pricing, Inventory, Delivery & Lifecycle Information:

Eaton:

[SR-5-5A-BK](#) [SR-5-5A-AP](#) [SR-5-630MA-AP](#) [SR-5-800MA-AP](#) [SR-5-400MA-AP](#) [SR-5-500MA-AP](#) [SR-5-500MA-BK](#)
[SR-5-630MA-BK](#) [SR-5-800MA-BK](#) [SR-5-3.15A-BK](#) [SR-5-3.15A-AP](#) [SR-5-4A-BK](#) [SR-5-4A-AP](#) [SR-5-2A-BK](#) [SR-5-2A-AP](#) [SR-5-1A-AP](#) [SR-5-1A-BK](#) [SR-5-1.6A-BK](#) [SR-5-1.6A-AP](#) [SR-5-2.5A-AP](#) [SR-5-2.5A-BK](#) [SR-5-1.25A-BK](#) [SR-5-1.25A-AP](#) [SR-5-6-3A-AP](#) [SR-5-6-3A-BK](#) [SR-5-100MA-AP](#) [SR-5-100MA-BK](#) [SR-5-125MA-AP](#) [SR-5-125MA-BK](#) [SR-5-160MA-AP](#) [SR-5-160MA-BK](#) [SR-5-200MA-AP](#) [SR-5-200MA-BK](#) [SR-5-250MA-AP](#) [SR-5-250MA-BK](#) [SR-5-315MA-AP](#) [SR-5-315MA-BK](#) [SR-5-40MA-AP](#) [SR-5-40MA-BK](#) [SR-5-50MA-AP](#) [SR-5-50MA-BK](#) [SR-5-63MA-AP](#) [SR-5-63MA-BK](#) [SR-5-80MA-AP](#) [SR-5-6.3A-AP](#) [SR-5-6.3A-BK](#)