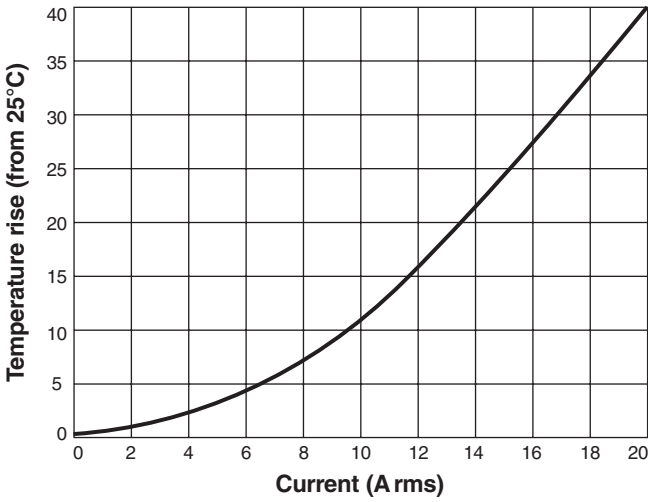


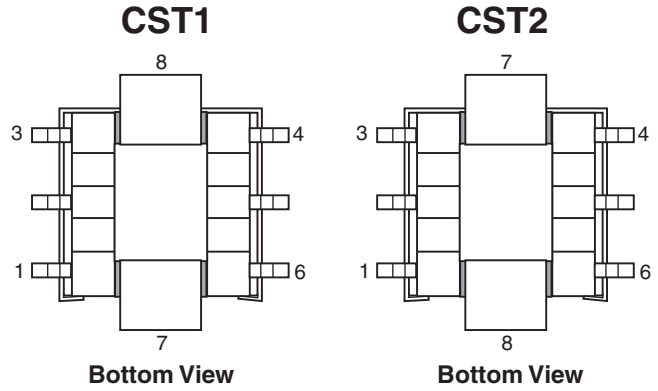


CST Series Current Sense Transformers

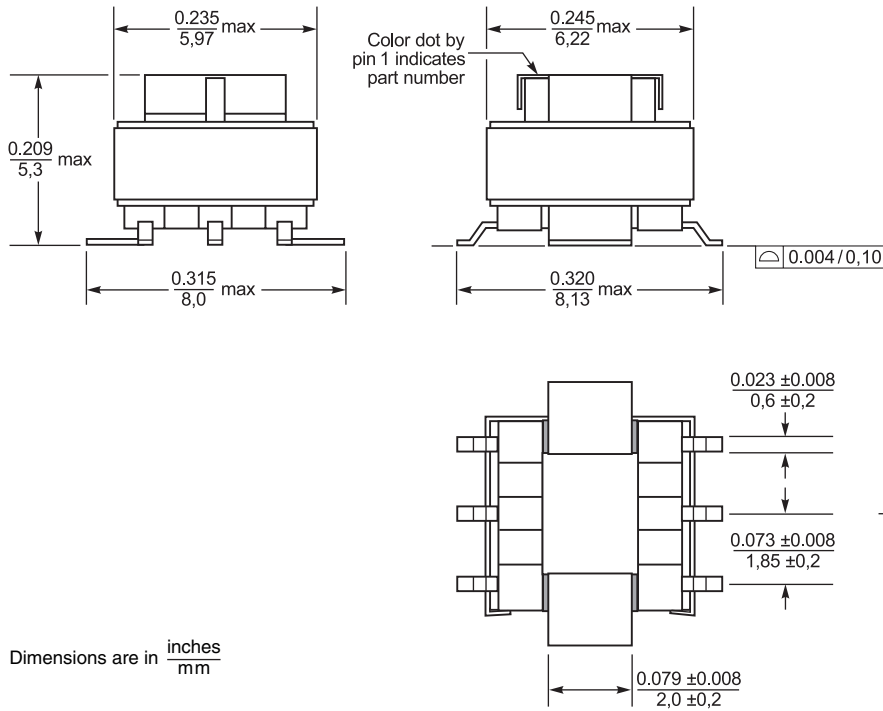
Temperature Rise vs Current



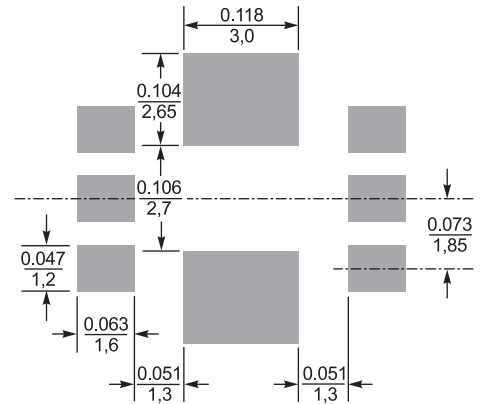
Pinouts



Dimensions



Recommended Land Pattern



US +1-847-639-6400 sales@coilcraft.com
UK +44-1236-730595 sales@coilcraft-europe.com
Taiwan +886-2-2264 3646 sales@coilcraft.com.tw
China +86-21-6218 8074 sales@coilcraft.com.cn
Singapore + 65-6484 8412 sales@coilcraft.com.sg

Document 385-2 Revised 04/29/21

© Coilcraft Inc. 2021

This product may not be used in medical or high risk applications without prior Coilcraft approval. Specification subject to change without notice. Please check web site for latest information.

Mouser Electronics

Authorized Distributor

Click to View Pricing, Inventory, Delivery & Lifecycle Information:

Coilcraft:

[CST2-030LC](#) [CST2-125LB](#) [CST2-070LB](#) [CST1-125LC](#) [CST1-070LB](#) [CST2-040LC](#) [CST1-060LB](#) [CST2-040LB](#)
[CST2-020LB](#) [CST1-020LC](#) [CST1-050LC](#) [CST1-030LB](#) [CST1-040LC](#) [CST1-040LB](#) [CST1-100LC](#) [CST2-070LC](#)
[CST2-060LB](#) [CST1-100LB](#) [CST2-100LB](#) [CST2-050LC](#) [CST1-030LC](#) [CST1-050LB](#) [CST2-060LC](#) [CST2-125LC](#)
[CST1-060LC](#) [CST1-020LB](#) [CST1-070LC](#) [CST2-030LB](#) [CST2-020LC](#) [CST2-050LB](#) [CST2-100LC](#) [CST1-125LB](#)