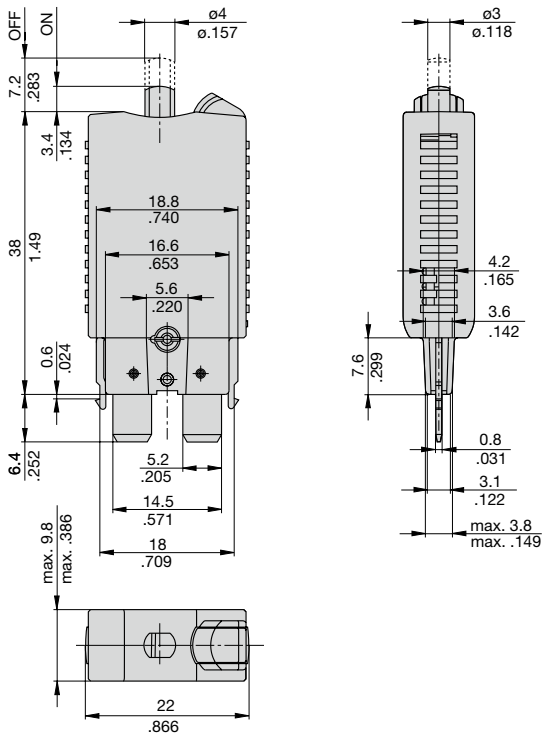
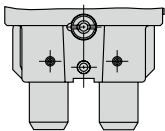


Dimensions

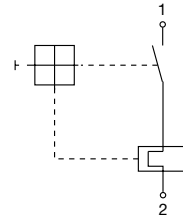
1170-21



1170-22

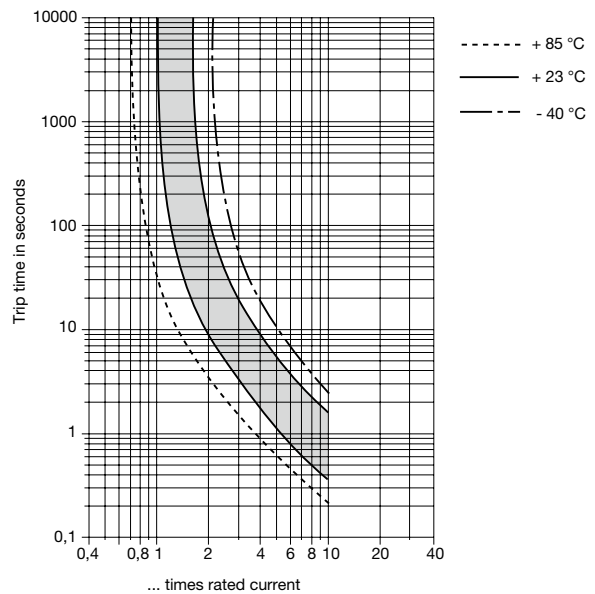


Internal connection diagram



Typical time/current characteristics at +23°C/73.4°F

3...25 A



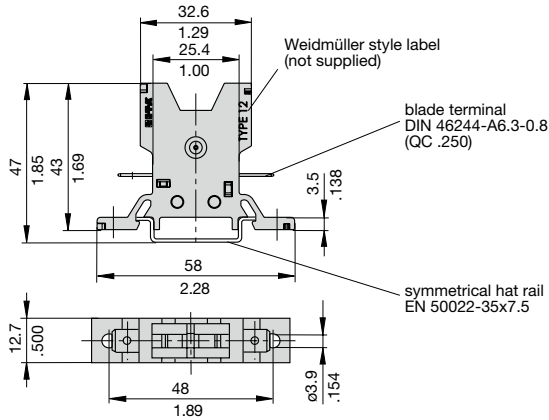
The time/current characteristic curve depends on the ambient temperature prevailing. In order to eliminate nuisance tripping, please multiply the circuit breaker current ratings by the derating factor shown below. See also section Technical information.

Ambient temperature °F	-40	-22	-4	+14	+32	+50
Ambient temperature °C	-40	-30	-20	-10	0	+10
Derating factor	0,77	0,80	0,84	0,89	0,94	0,96
Ambient temperature °F	+73.4	+104	+122	+140	+158	+185
Ambient temperature °C	+23	+40	+50	+60	+70	+85
Derating factor	1	1,08	1,16	1,24	1,33	1,42

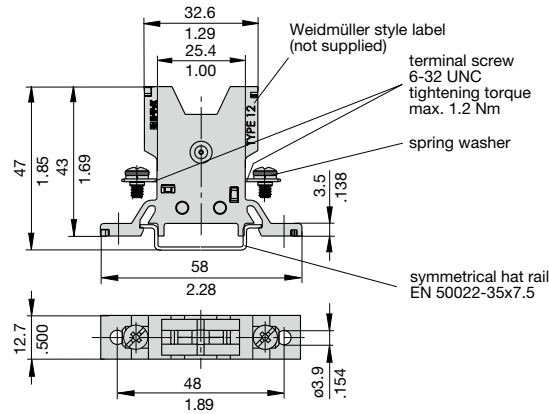
This is a metric design and millimeter dimensions take precedence ($\frac{\text{mm}}{\text{inch}}$)

Accessories

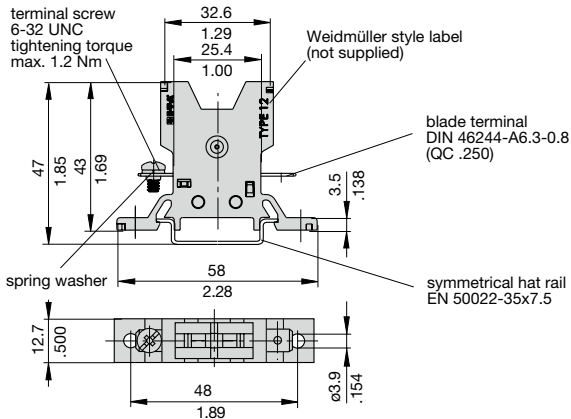
Socket 12-P10



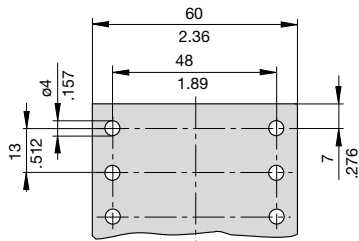
Socket 12-J20



Socket 12-A10



Dimensions for surface mounting



Other sockets available to special order
Labels: Weidmüller, D-33102 Paderborn

Ordering information Mounting socket 12

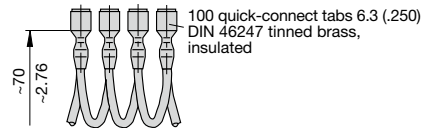
Type No.

12	Mounting socket
Terminal design	
P10	blade terminals A6.3-0.8 (QC .250)
J20	screw terminals 6-32 UNC
A10	1 blade terminal A6.3-0.8 (QC .250)/1 screw terminal 6-32 UNC
Version	
(blank)	single socket
20	two-way
30	three-way
40	four-way
60	six-way
12 - P10 - 20	ordering example

Accessories for mounting socket 12

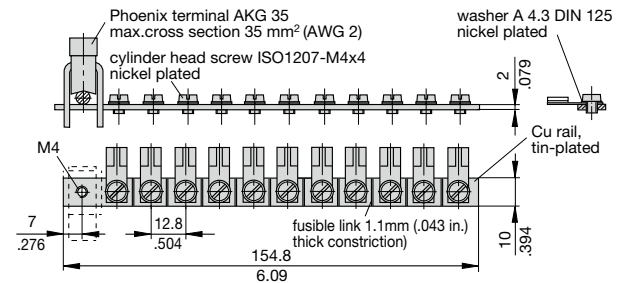
Connector bus links -P10

- X 210 588 01/ 1.5 mm² (AWG 16), brown (up to 13 A max. load)
- X 210 588 02/ 2.5 mm² (AWG 14), black (up to 20 A max. load)
- X 210 588 03/ 2.5 mm² (AWG 14), red (up to 20 A max. load)
- X 210 588 04/ 2.5 mm² (AWG 14), blue (up to 20 A max. load)



Bus bar (supplied as a complete package)
 (up to 100 A max. load)

- X 211 157 01 with terminal
- X 211 157 02 without terminal



This is a metric design and millimeter dimensions take precedence ($\frac{\text{mm}}{\text{inch}}$)

All dimensions without tolerances are for reference only. In the interest of improved design, performance and cost effectiveness the right to make changes in these specifications without notice is reserved. Product markings may not be exactly as the ordering codes. Errors and omissions excepted.

Mouser Electronics

Authorized Distributor

Click to View Pricing, Inventory, Delivery & Lifecycle Information:

E-T-A Circuit Breakers:

[1170-22-30A](#) [1170-21-6A](#) [1170-21-4A](#) [1170-22-3A](#) [1170-21-3A](#) [1170-21-7.5A](#) [1170-22-25A](#) [1170-22-8A](#) [1170-22-10A](#) [1170-22-7.5A](#) [1170-22-20A](#) [1170-21-8A](#) [1170-21-25A](#) [1170-22-15A](#) [1170-21-20A](#) [1170-21-5A](#) [1170-22-6A](#) [1170-22-5A](#) [1170-21-10A](#) [1170-22-4A](#) [1170-21-30A](#) [1170-21-15A](#) [1170-21-D91-10A](#) [1170-21-D91-6A](#) [1170-21-D91-25A](#) [1170-21-D91-30A](#) [1170-21-D91-5A](#) [1170-21-D91-15A](#) [1170-21-D91-8A](#) [1170-21-D91-3A](#) [12-J20](#) [12-J20-30](#) [12-P10](#) [12-A10](#) [12-A10-20](#) [12-A10-40](#) [12-A10-60](#) [12-J20-20](#) [12-J20-40](#) [12-J20-60](#) [12-P10-20](#) [12-P10-30](#) [12-P10-40](#) [12-P10-60](#)