

POWER DISCRETES

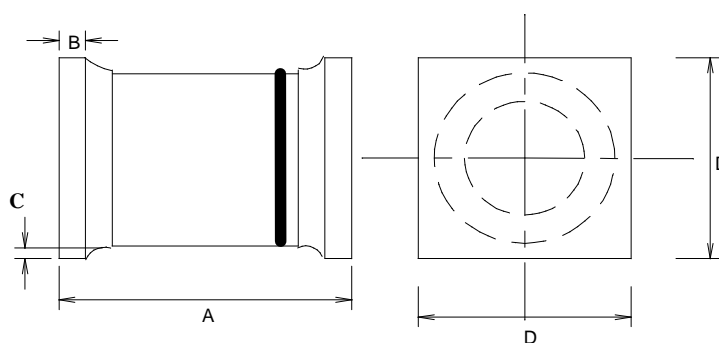
Ordering Information

Part Number	Description
1N5802US, 1N5804US, 1N5806US	Surface Mount ⁽¹⁾

Note:

(1) Available in trays and tape and reel packaging. Please consult factory for quantities.

Outline Drawing



*Cathode is denoted by a black band on a white body.

	Dimensions in Inches	
	1N5802US - 1N5806US	
	MIN	MAX
A	0.168	0.2
B	0.019	0.028
C	0.003	-
D	0.091	0.103

Contact Information

Semtech Corporation
 Power Discrettes Products Division
 200 Flynn Road, Camarillo, CA 93012
 Phone: (805)498-2111 FAX (805)498-3804

Mouser Electronics

Authorized Distributor

Click to View Pricing, Inventory, Delivery & Lifecycle Information:

[Semtech:](#)

[1N5806US](#) [1N5804US](#) [1N5802US](#)