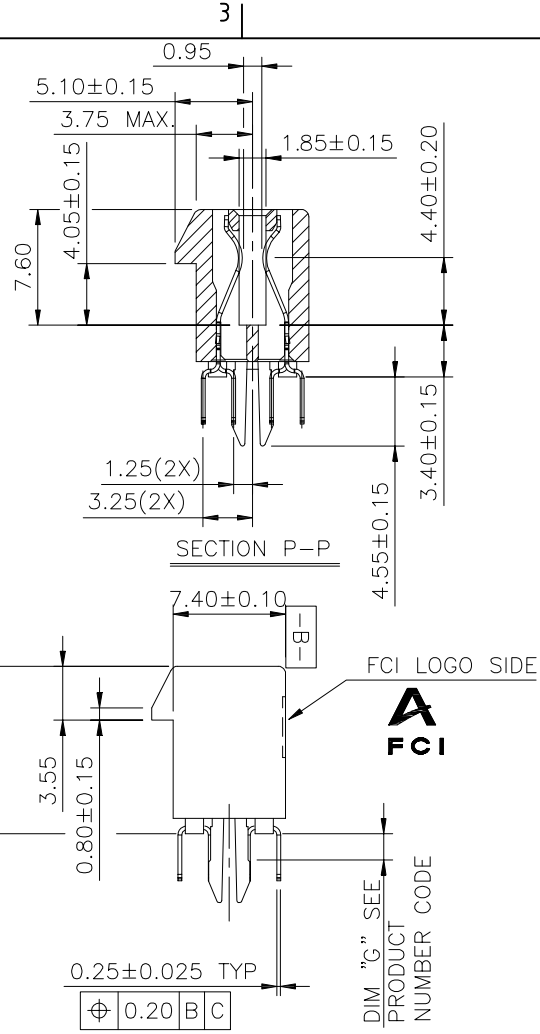
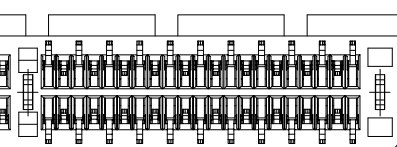
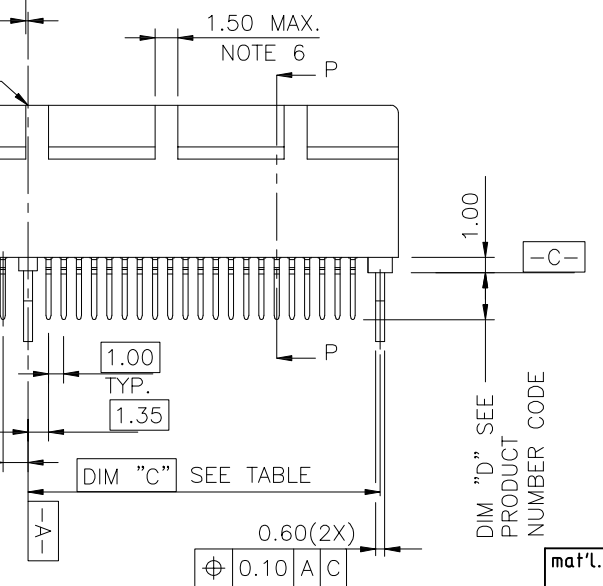
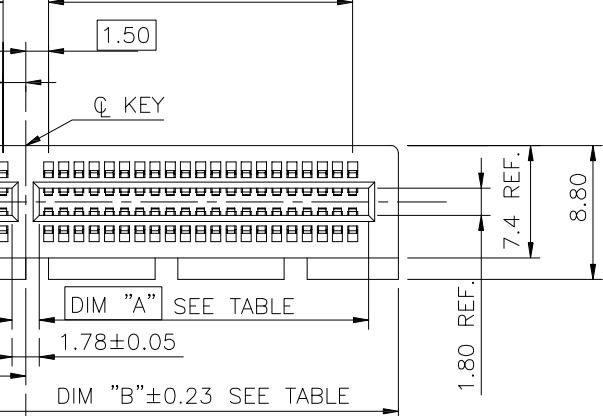
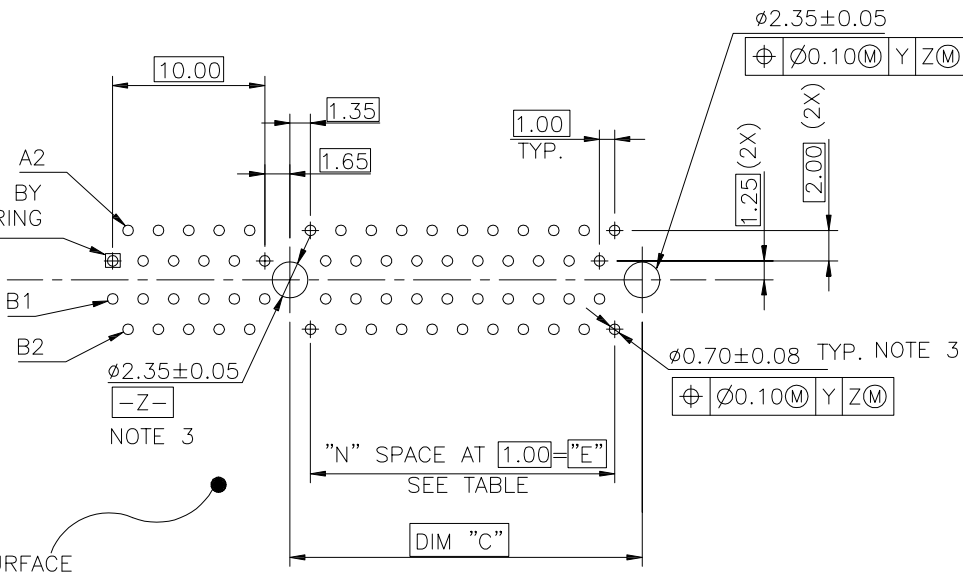


"N" SPACES AT 1.00 = "E" SEE TABLE



METAL BOARD LOCKS TYPE

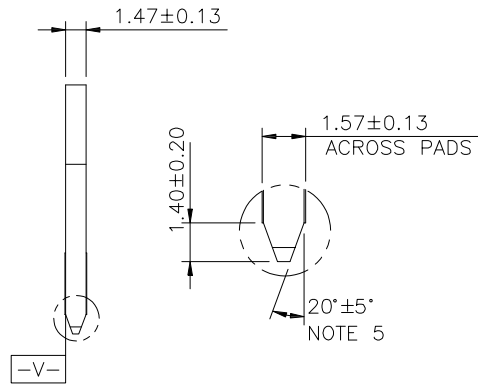
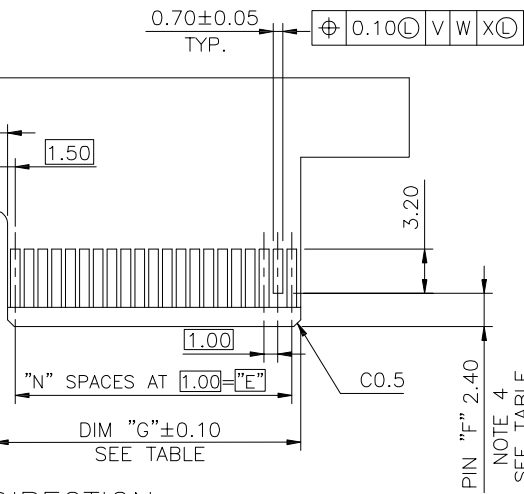
mat'l. code		surface		tolerance		projection		product family	
-		-		ASME_Y14.5				PCI_EXPRESS	
ltr		ecn no		dr		date		title	
								PCI_EXPRESS_CARD_EDGE_GEN3 TH_ASS'Y	
				angles		Linear		MM	
				±2°		.0±.030		scale N/A	
						.00±.020		dwg no	
				dr		WINSTON_ZHU 20-10-12		sheet 2 of 6	
				engr		ZHNEHUA_LIU 20-10-12		size	
				chr				10018784	
				appd		HEAVEN_CEN 20-10-12		A4	
sheet index		revision sheet		T				type	
								CUSTOMER Drawing	



← I/O PANEL DIRECTION

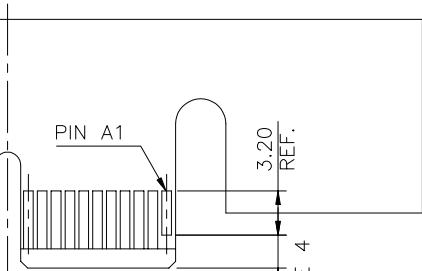
RECOMMENDED FOOTPRINT

mat'l. code		surface		tolerance		projection		product family	
-		-		ASME_Y14.5				PCI_EXPRESS	
ltr	ecn no	dr	date	tolerances unless otherwise specified				title	
				angles	Linear	MM		PCI_EXPRESS_CARD_EDGE_GEN3	
				±2°	.0±.030	scale N/A		TH_ASS'Y	
					.00±.020			dwg no	
				dr	WINSTON_ZHU	20-10-12		sheet 3 of 6	
				engr	ZHENHUA_LIU	20-10-12		size	
				chr				10018784	
				appd	HEAVEN_CEN	20-10-12		A4	
sheet index	revision sheet	T						type	
								CUSTOMER Drawing	



SCALE 2:1

DIRECTION
(COMPONENT) SIDE



ON →
(FR) SIDE

PIN "F" SEE TABLE 2.40±0.10
NOTE 4

ADD-IN CARD EDGE-FINGER DIMENSIONS

"G"	"F"
1.50	B17
2.15	B31
3.00	B48
3.80	B81

mat'l. code		surface		tolerance		projection		product family	
-		-		ASME_Y14.5				PCI_EXPRESS	
ltr		ecn no		date				title	
						MM		PCI_EXPRESS_CARD_EDGE_GEN3	
						scale N/A		TH_ASS'Y	
				dr				dwg no	
				engr				sheet 4 of 6	
				chr				size	
				appd				A4	
sheet index		revision sheet		r				10018784	
								CUSTOMER Drawing	



3

4

FOR WAVE

CODE
u" NICKEL

CONNECTOR	# POS	REF.	N	DIM "A"	DIM "B"	DIM "C"	"E"
1 PORT	36		6	7.65	25.00	9.15	6.00
4 PORT	64		20	21.65	39.00	23.15	20.00
8 PORT	98		37	38.65	56.00	40.15	37.00
16 PORT	164		70	71.65	89.00	73.15	70.00

ISHED BY
UGH THE CENTER
E OF PAD FOR

MAY BE

MINIMUM MATTE TIN OVER 1.27um

60°C±5°C SOLDER BATH TEMPERATURE FOR
WITH A 1.6mm MIN THICK CIRCUIT BOARD.
40°C±5°C SOLDER BATH TEMPERATURE FOR
WITH A 1.6mm MIN THICK CIRCUIT BOARD.(For 10018784-X 0 X X X X(X X) options)

CODE

LEAD FREE OPTION

AVE BLANK FOR TERMINAL PLATING 3,4,5
" FOR TERMINAL PLATING OPTION 0,1,2

PACKAGING OPTIONS

- T-TRAY PACKAGING
- M-TRAY PACKAGING & MYLAR TAPE FOR PICK-N-PLACE. SEE FIGURE 1
- R-TAPE & REEL PACKAGING (FOR 36, 64, 98P)
- A-TAPE & REEL PACKAGING WITH MYLAR (FOR 36, 64, 98P)

PTIONS
-36
-64
-98
-164

TAIL LENGTH OPTIONS

	DIM "D"	PCB THICKNESS	BOARD LOCKS DIM"G"
0	2.30 ± 0.25 -0.13	1.56±0.10	1.70±0.15
1	3.10 ± 0.25 -0.13	2.36±0.10	2.50±0.15

A

mat'l. code		surface		tolerance		projection		product family	
-		-		ASME_Y14.5				PCI_EXPRESS	
ltr	ecn no	dr	date	tolerances unless otherwise specified				title	
				angles	Linear			PCI_EXPRESS_CARD_EDGE_GEN3	
				±2°	.0±0.30	scale N/A		TH_ASS'Y	
					.00±0.20			dwg no	
				dr	WINSTON_ZHU	20-10-12	sheet 5 of 6		size
				engr	ZHENHUA_LIU	20-10-12	10018784		A4
				chr			Amphenol FCI		
				appd	HEAVEN_CEN	20-10-12	type		CUSTOMER Drawing
sheet index	revision	τ							
	sheet								

5

B

2

3

4

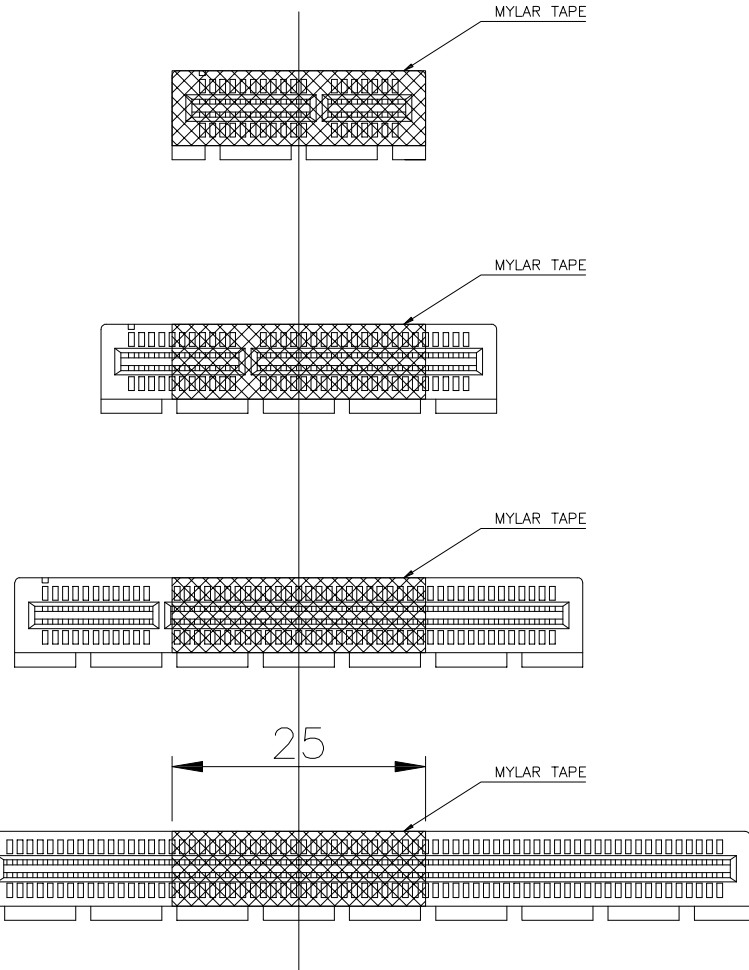


FIGURE 1

mat'l. code		-		surface	-	tolerance	ASME_Y14.5	projection	product family	PCI_EXPRESS	
ltr	ecn no	dr	date	tolerances unless otherwise specified				 MM	title		
				angles	Linear	.0±.0.30	PCI_EXPRESS_CARD_EDGE_GEN3				
				±2°		.00±.0.10	scale N/A	TH_ASS'Y			
				dr	WINSTON_ZHU	20-10-12		dwg no		sheet 6 of 6	size
				engr	ZHENHUA_LIU	20-10-12		10018784		A4	
				chr				type		CUSTOMER Drawing	
				appd	HEAVEN_CEN	20-10-12					
sheet index	revision sheet	T									

Mouser Electronics

Authorized Distributor

Click to View Pricing, Inventory, Delivery & Lifecycle Information:

[FCI / Amphenol:](#)

[10018784-10103TLF](#) [10018784-10212TLF](#) [10018784-00100TLF](#) [10018784-00101TLF](#) [10018784-00102TLF](#)
[10018784-00103TLF](#) [10018784-00201TLF](#) [10018784-10000TLF](#) [10018784-10001TLF](#) [10018784-10002TLF](#)
[10018784-10003TLF](#) [10018784-10010TLF](#) [10018784-10011TLF](#) [10018784-10012TLF](#) [10018784-10013TLF](#)
[10018784-10100TLF](#) [10018784-10101TLF](#) [10018784-10102TLF](#) [10018784-10110TLF](#) [10018784-10111TLF](#)
[10018784-10112TLF](#) [10018784-10113MLF](#) [10018784-10113TLF](#) [10018784-10200TLF](#) [10018784-10201TLF](#)
[10018784-10202MLF](#) [10018784-10203TLF](#) [10018784-10210TLF](#) [10018784-10211TLF](#) [10018784-10213TLF](#)
[10018784-11000TLF](#) [10018784-11001TLF](#) [10018784-11002TLF](#) [10018784-11003TLF](#) [10018784-11010TLF](#)
[10018784-11011TLF](#) [10018784-11012TLF](#) [10018784-11013TLF](#) [10018784-11100TLF](#) [10018784-11101TLF](#)
[10018784-11102TLF](#) [10018784-11103TLF](#) [10018784-11110TLF](#) [10018784-11111TLF](#) [10018784-11112TLF](#)
[10018784-11113TLF](#) [10018784-11200TLF](#) [10018784-11201TLF](#) [10018784-11202MLF](#) [10018784-11202TLF](#)
[10018784-11203TLF](#) [10018784-11210TLF](#) [10018784-11211TLF](#) [10018784-11212TLF](#) [10018784-11213TLF](#)
[10018784-10202TLF](#) [10018784-00002TLF](#) [10018784-10000MLF](#) [10018784-10001MLF](#) [10018784-10012MLF](#)
[10018784-10013MLF](#) [10018784-01201TLF](#) [10018784-10211MLF](#) [10018784-10203MLF](#) [10018784-10201MLF](#)
[10018784-10201RLF](#) [10018784-10100MLF](#) [10018784-10101MLF](#) [10018784-10102MLF](#) [10018784-10103MLF](#)
[10018784-10003MLF](#) [10018784-10002MLF](#) [10018784-10210MLF](#)