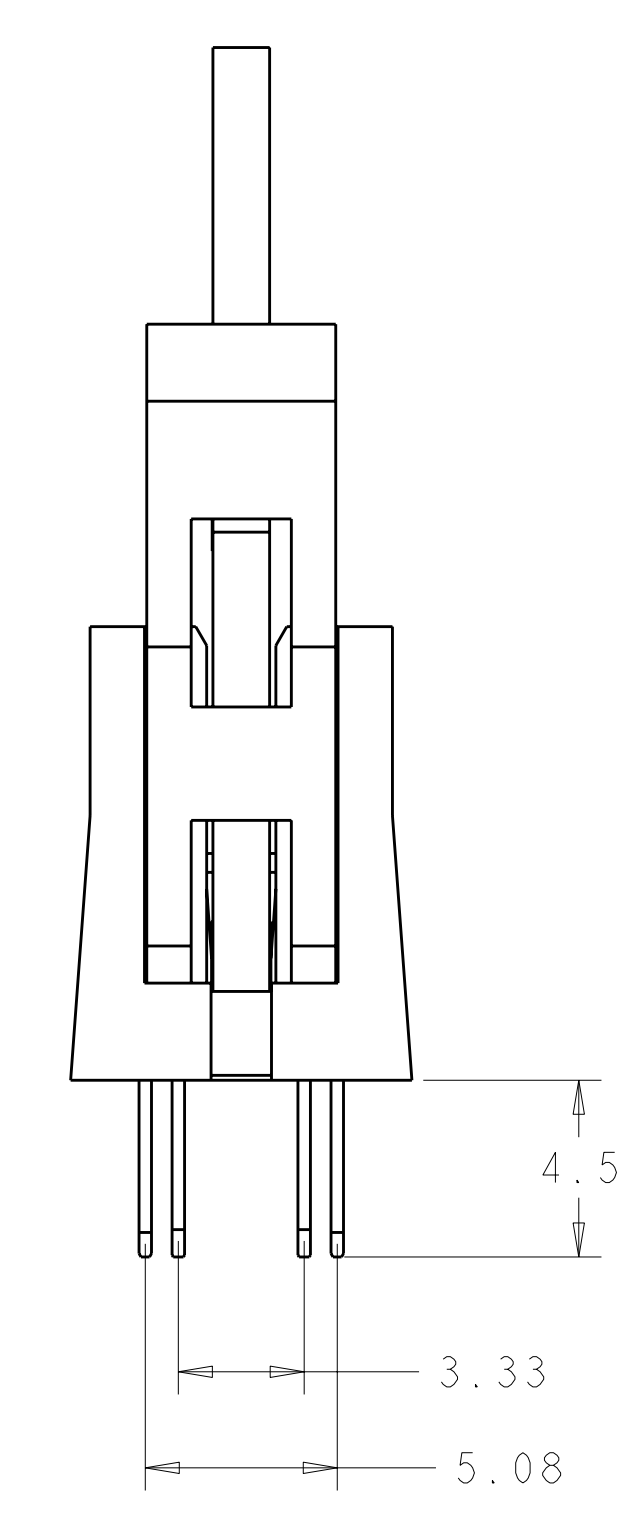
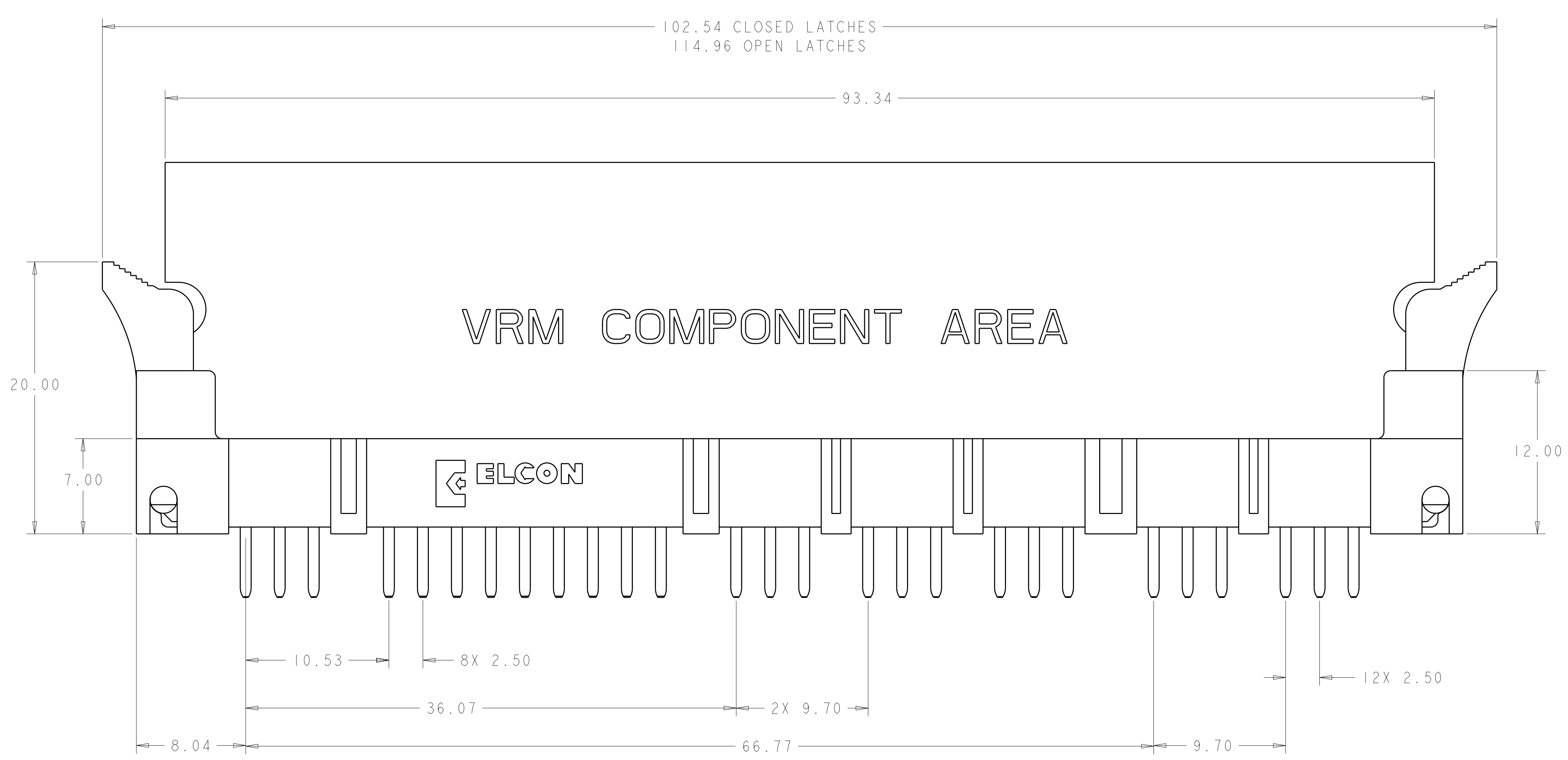
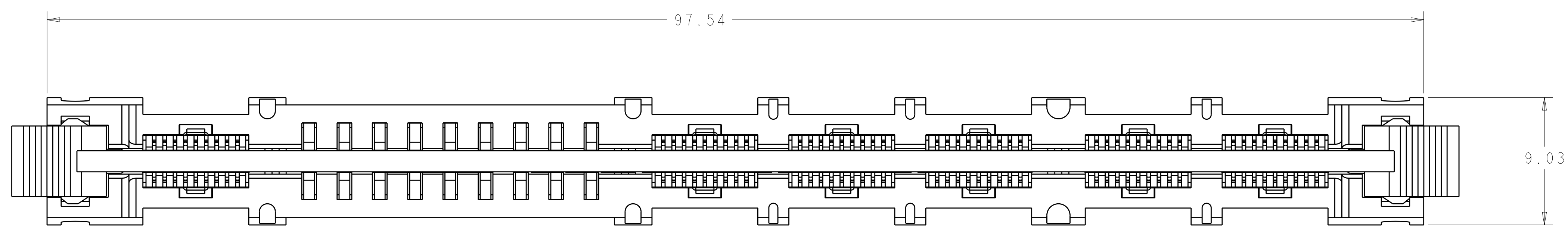
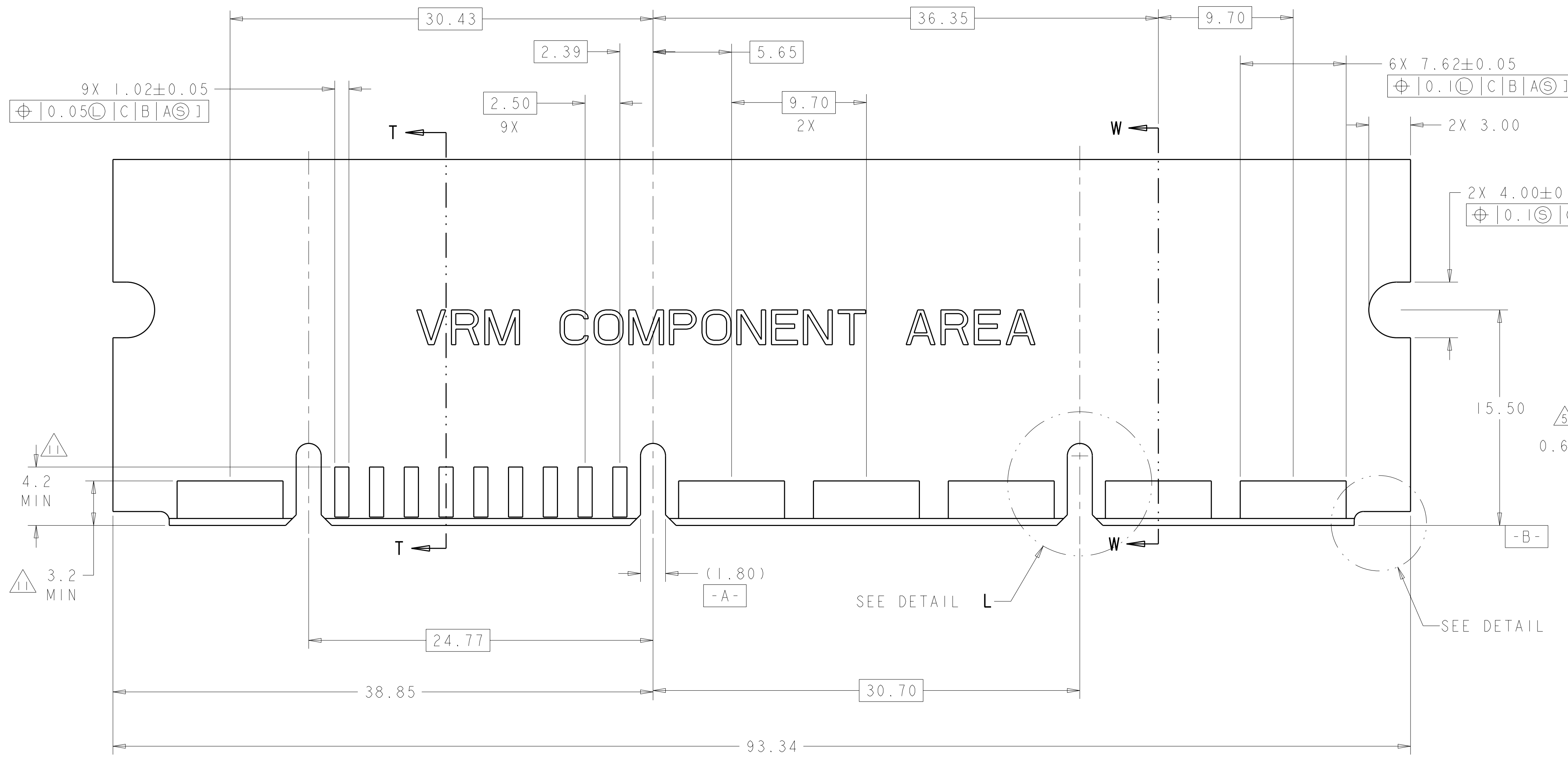


LOC	DIST	REVISIONS					
GP	00	P	LTR	DESCRIPTION	DATE	DWN	APVD
-	-	-	-	SEE SHEET 1	-	-	-



DIMENSIONS: mm		TOLERANCES UNLESS OTHERWISE SPECIFIED: 9 PLC ±.5 1 PLC ±.5 2 PLC ±.25 3 PLC ±.5 4 PLC ±0.001 ANGLES ±.5 FINISH		DWN HA/GRZYBOWSKI 01/25/05 CHK P.DAMATO APVD CHAU/PERCHERAE 06/28/06 PRODUCT SPEC APPLICATION SPEC WEIGHT CUSTOMER DRAWING		Tyco Electronics Harrisburg, PA 17105-3608 NAME SOCKET CONNECTOR ASSEMBLY W/LATCHES MC-P6S9 MINI CROWN EDGE SIZE CAGE CODE DRAWING NO. RESTRICTED TO A1100779C-1651826	
MATERIAL		FINISH		SCALE 5:1 SHEET 2 OF 4 REV C		CUSTOMER DRAWING	

LOC	DIST	REV	DATE	BY	APPD
GP	00				
REVISIONS					
		1			
		2			
		3			
		4			
		5			
		6			
		7			
		8			
		9			



VRM COMPONENT AREA

RECOMMENDED MATING BOARD

6X 7.62±0.05
 ⊕ 0.1 ⊖ | C | B | A ⊕ | J

2X 4.00±0.08
 ⊕ 0.1 ⊖ | S | C | A ⊕ | M | B

0.6^{+0.2}/₀

(0.50)

(1.80)
 -A-

-B-

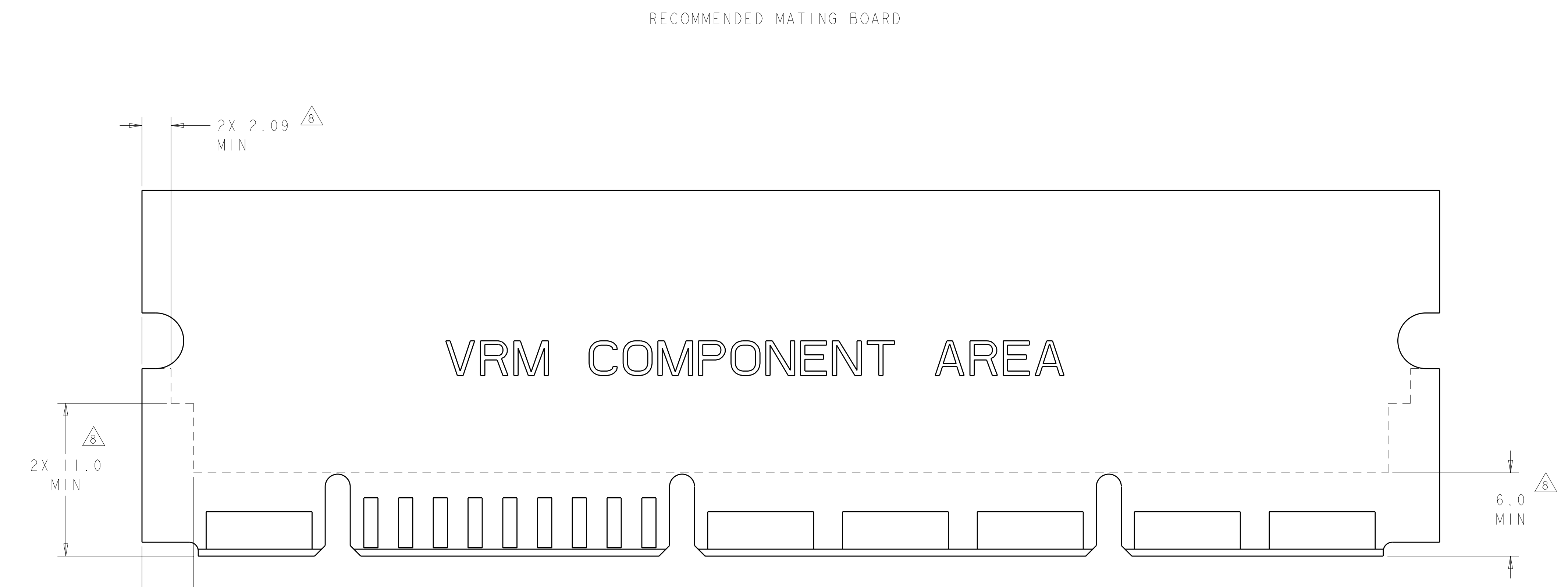
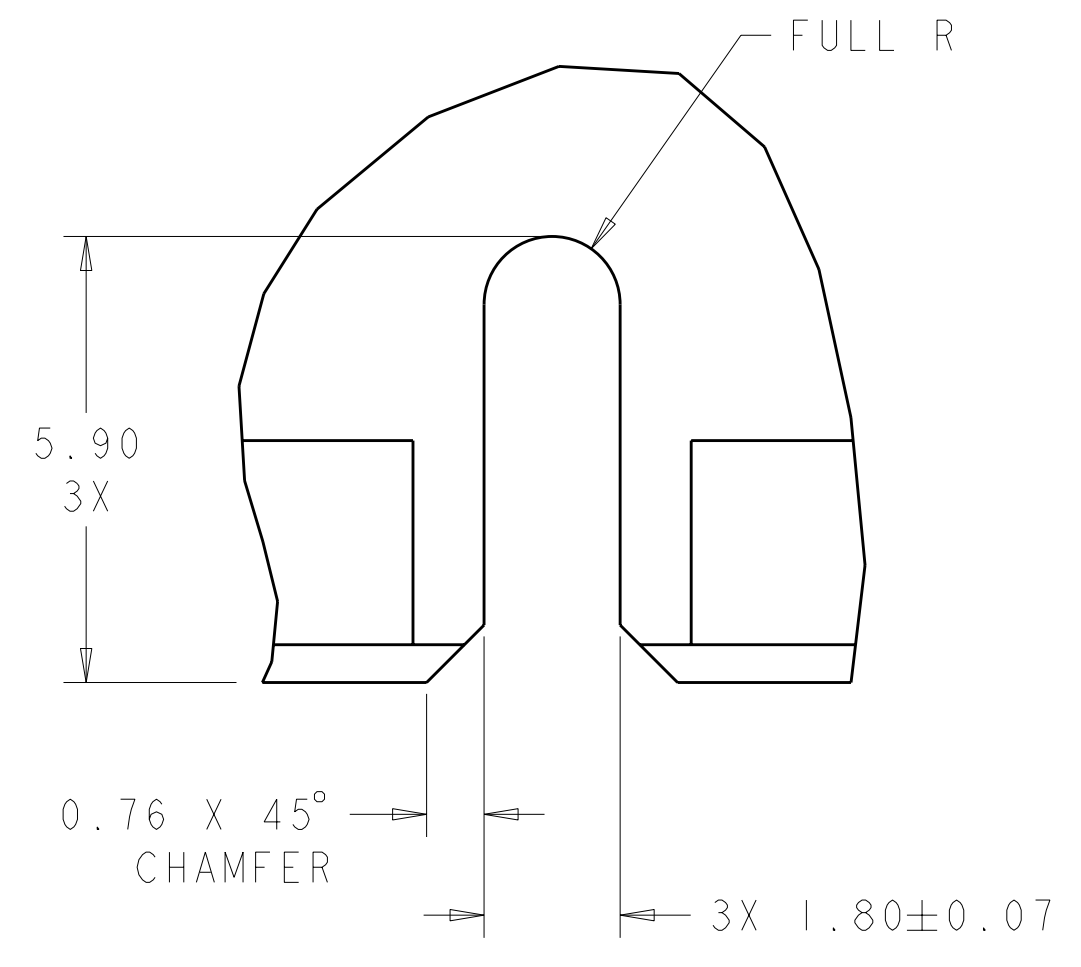
-C-

SECTION T-T
 SCALE 15:1

DETAIL L
 SCALE 10:1

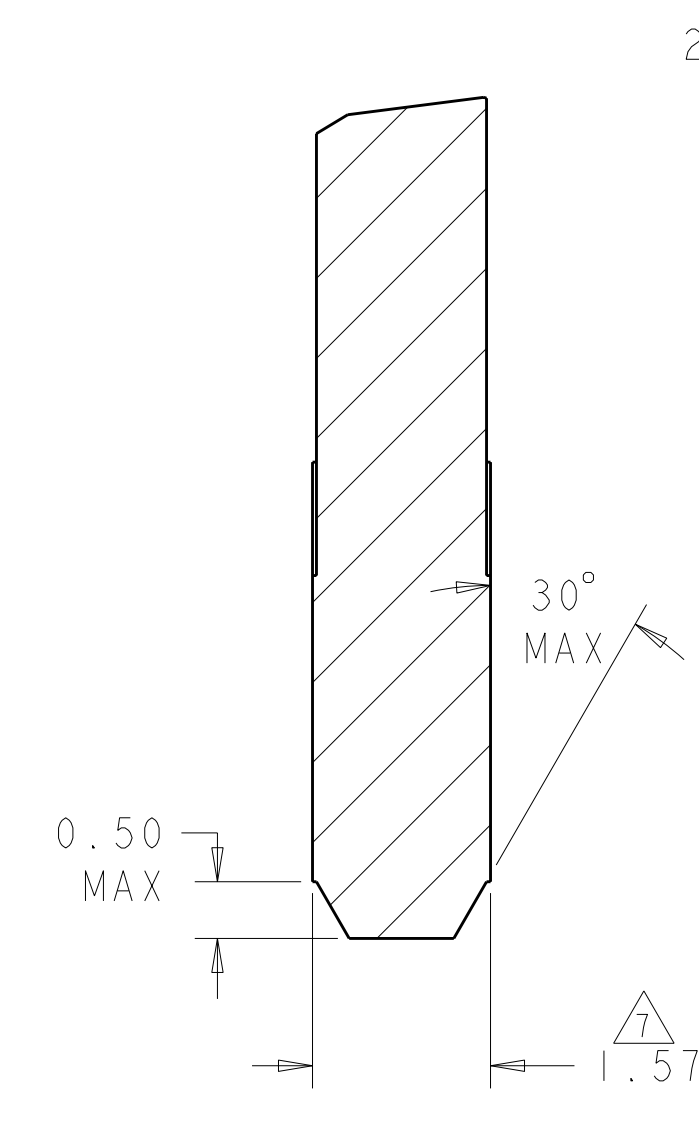
SEE DETAIL N

SEE DETAIL L

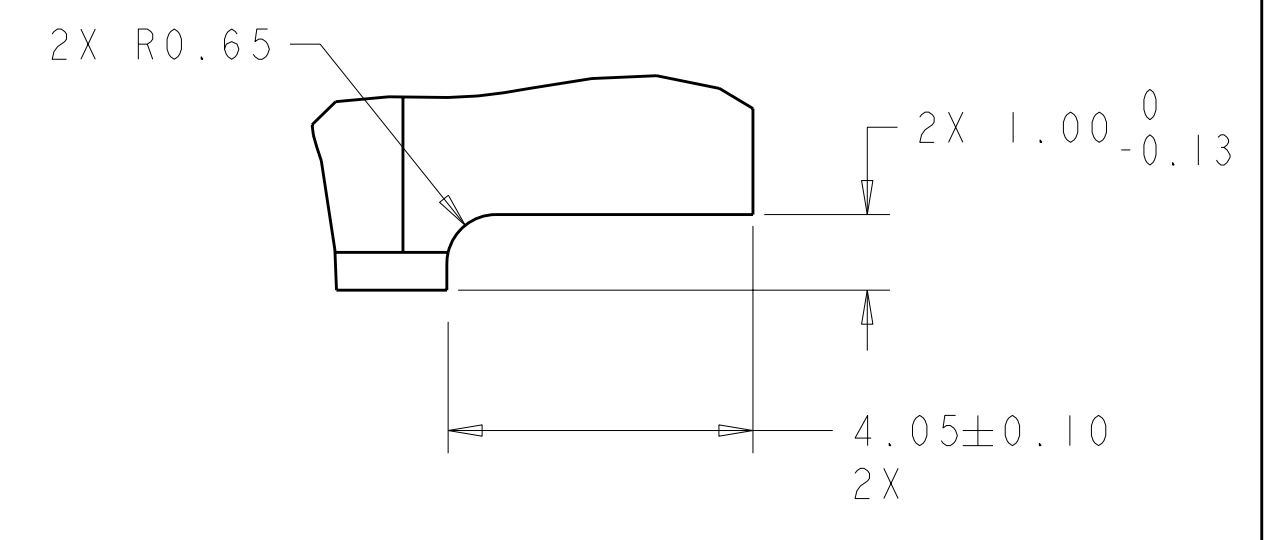


VRM COMPONENT AREA

RECOMMENDED PC BOARD KEEP OUT AREA



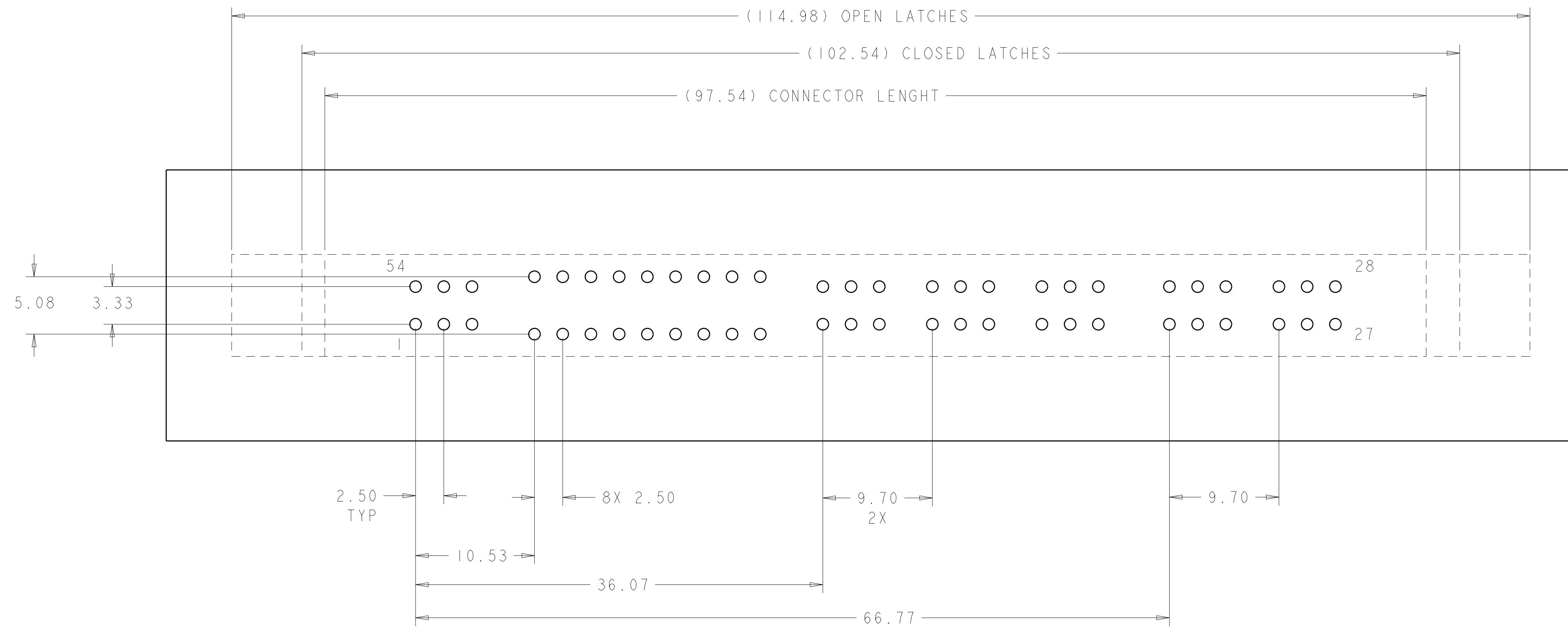
SECTION W-W
 SCALE 15:1



DETAIL N
 SCALE 10:1

DIMENSIONS: mm 		TOLERANCES UNLESS OTHERWISE SPECIFIED: 9 PLC ±.5 1 PLC ±.5 5 PLC ±.25 4 PLC ±0.001 ANGLES ±.5 FINISH		DWN HA/GRZYBOWSKI 01/25/05 CHK P.DAMATO APVD CHAU/PERCHERAE 06/28/06 PRODUCT SPEC APPLICATION SPEC WEIGHT CUSTOMER DRAWING		Tyco Electronics Harrisburg, PA 17105-3608 NAME SOCKET CONNECTOR ASSEMBLY W/LATCHES MC-P6S9 MINI CROWN EDGE SIZE CAGE CODE DRAWING NO. RESTRICTED TO A100779C=1651826 SCALE 5:1 SHEET 3 OF 4 REV C	
-----------------------	--	--	--	--	--	---	--

LOC	DIST	REVISIONS					
GP	00	P	LTR	DESCRIPTION	DATE	DWN	APVD
		-	-	SEE SHEET 1	-	-	-



RECOMMENDED SOLDER LAND GUIDELINE
 AS VIEWED FROM CONNECTOR SIDE

<small>THIS DRAWING IS UNPUBLISHED. RELEASED FOR PUBLICATION 20 © COPYRIGHT 20 BY TYCO ELECTRONICS CORPORATION. ALL RIGHTS RESERVED.</small>		DWN HA/GRZYBOWSKI 01/25/05 CHK P.DAMATO 06/28/06 APVD CHAU/PERCHERRE	Tyco Electronics Harrisburg, PA 17105-3608
DIMENSIONS: mm 	TOLERANCES UNLESS OTHERWISE SPECIFIED: 9 PLC ±.5 2 PLC ±.25 5 PLC ±.25 4 PLC ±.0001 ANGLES ±.5 FINISH	NAME SOCKET CONNECTOR ASSEMBLY W/LATCHES MC-P6S9 MINI CROWN EDGE	SIZE CAGE CODE DRAWING NO A100779C-1651826
MATERIAL	FINISH	WEIGHT	RESTRICTED TO
CUSTOMER DRAWING		SCALE 5:1	SHEET 4 OF 4 REV C

Mouser Electronics

Authorized Distributor

Click to View Pricing, Inventory, Delivery & Lifecycle Information:

[TE Connectivity:](#)

[1651826-1](#)