

ORDERING INFORMATION

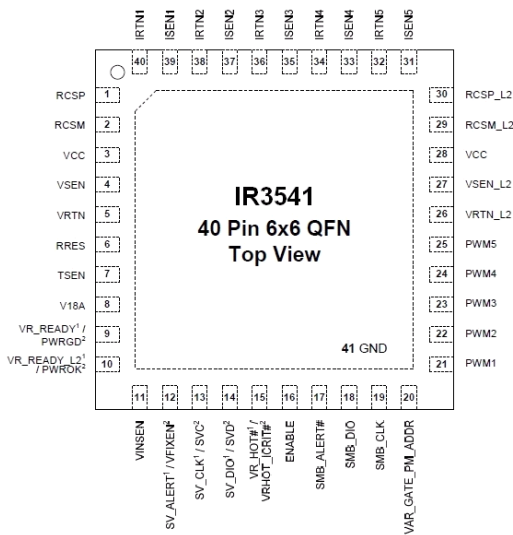
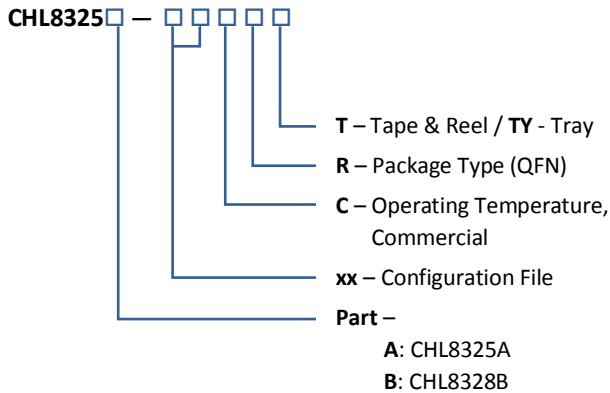
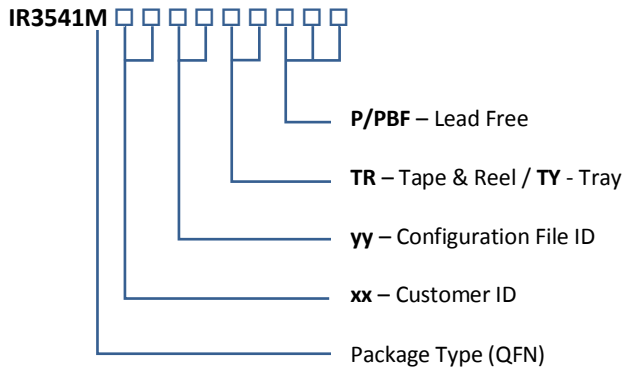


Figure 2: IR3541 Package Top View, Enlarged

Package	Packing Qty	Part Number	Programming
QFN	TR=3000	IR3541MTRPBFB	Default
	TY=4900	IR3541MTYPBFB	
QFN	TR=3000	IR3541MxxyyTRP ¹	Customer Configuration

Notes:

- Customer Specific Configuration File, where xx = Customer ID and yy = Configuration File (Codes assigned by IR Marketing).

Package	Packing Qty	Part Number
QFN	T=3000	CHL8325A-00CRT
	TY=4900	CHL8325A-00CRTY
QFN	T=3000	CHL8325A-xxCRT ¹
	TY=4900	CHL8325A-xxCRTY
QFN	T=3000	CHL8325B-00CRT
QFN	T=3000	CHL8325B-00CRTY
QFN	T=3000	CHL8325B-xxCRT ¹

Notes:

- “xx” indicates a customer specific configuration file.

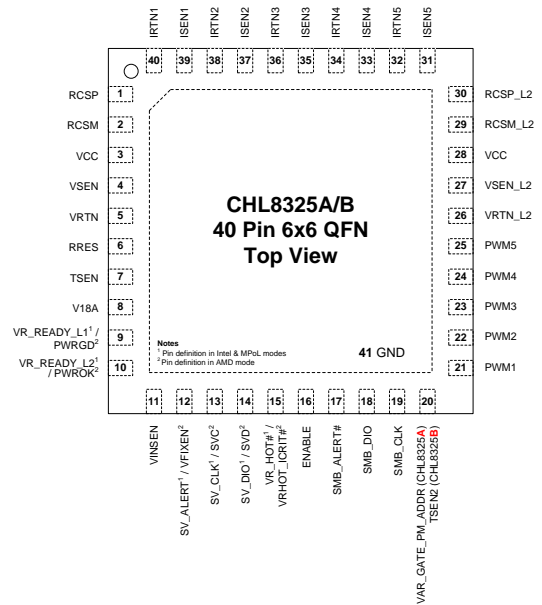


Figure 3: CHL8325A/B Package Top View, Enlarged

FUNCTIONAL BLOCK DIAGRAM

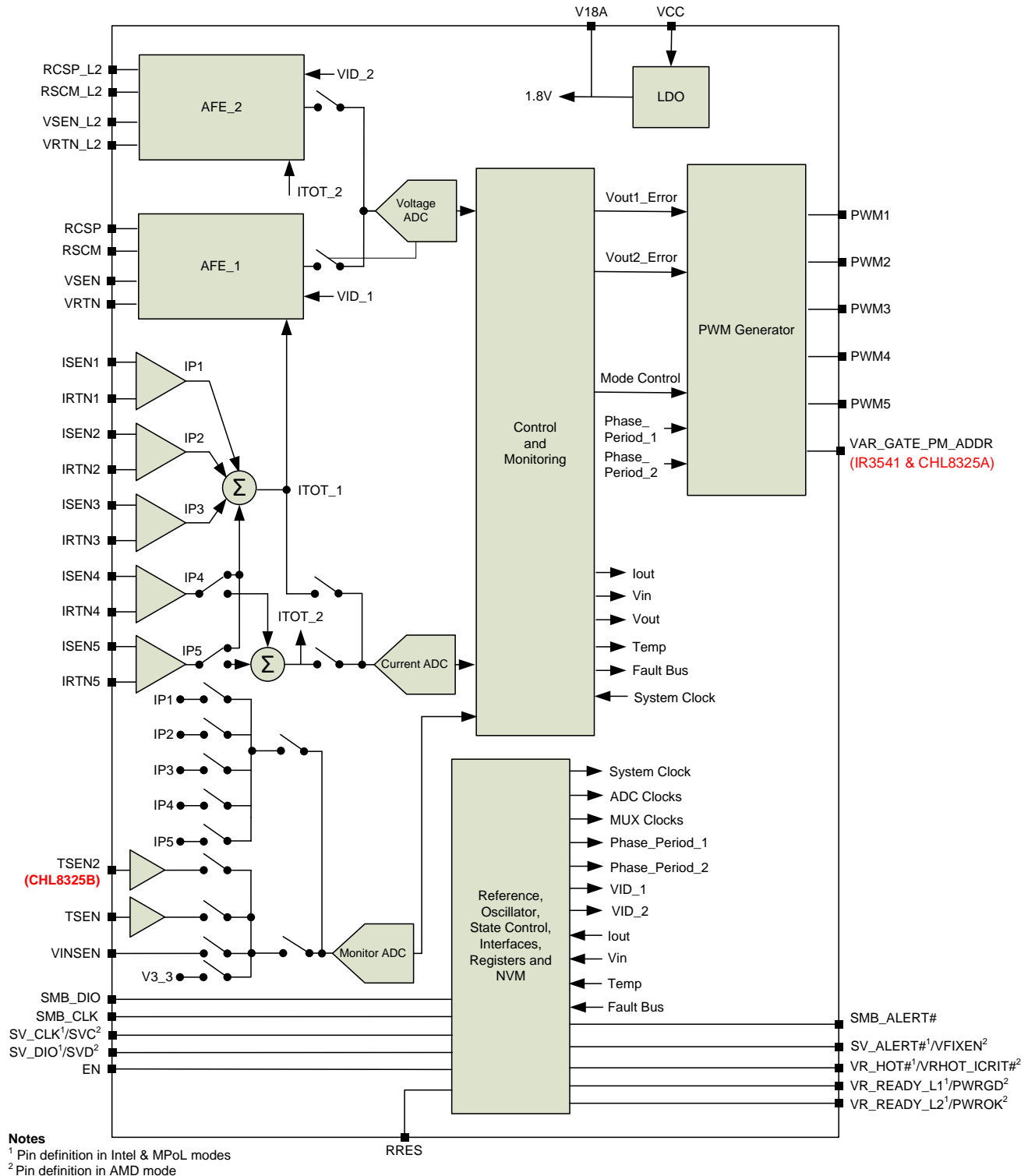


Figure 4: IR3541 and CHL8325A/B Functional Block Diagram

Mouser Electronics

Authorized Distributor

Click to View Pricing, Inventory, Delivery & Lifecycle Information:

[Infineon:](#)

[IR3541MTRPBF](#) [CHL8325A-00CRT](#) [CHL8325B-00CRT](#)