

RATING AND CHARACTERISTIC CURVES (FFM101 THRU FFM107)

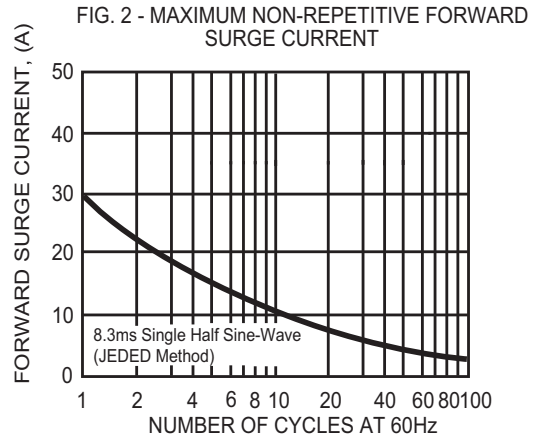
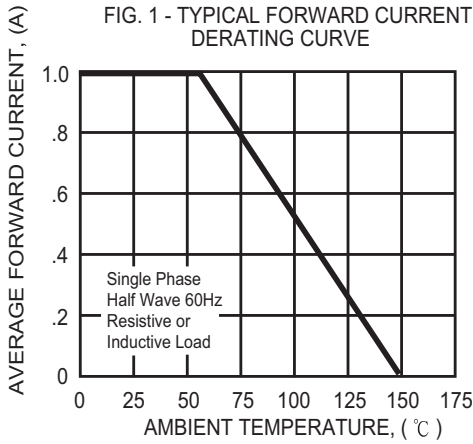


FIG. 3 - MAXIMUM REVERSE CHARACTERISTICS

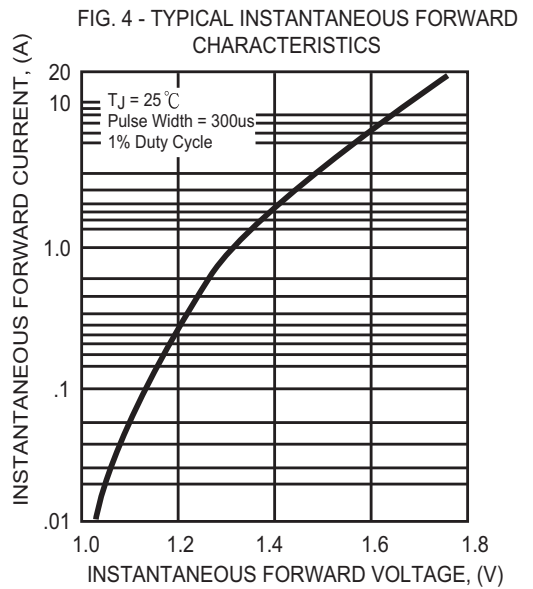
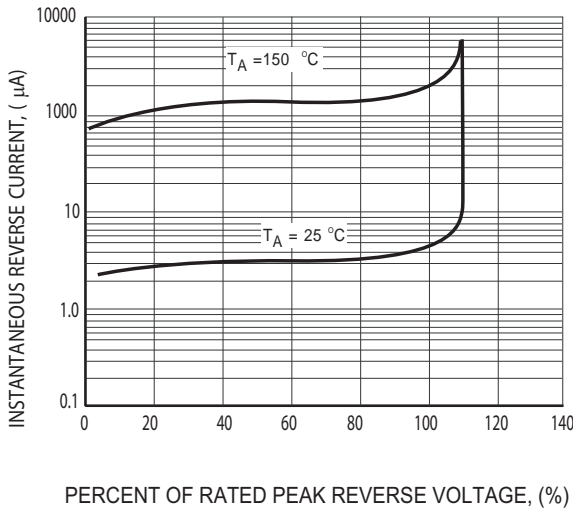


FIG. 5 - TEST CIRCUIT DIAGRAM AND REVERSE RECOVERY TIME CHARACTERISTIC

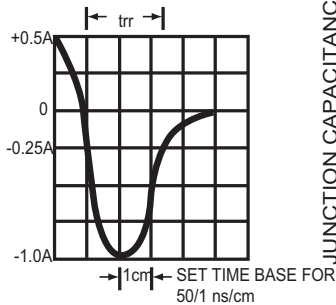
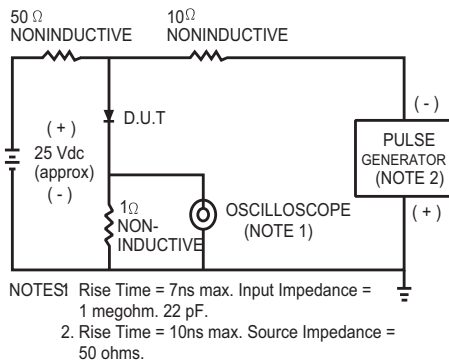
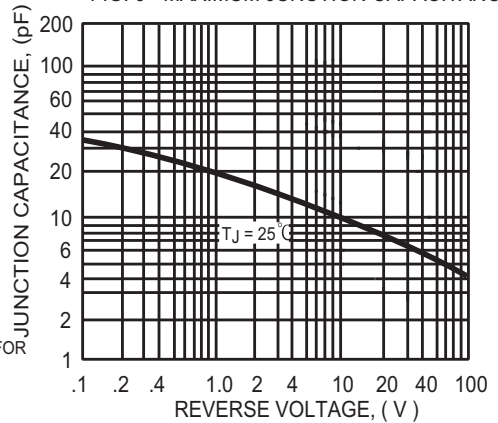
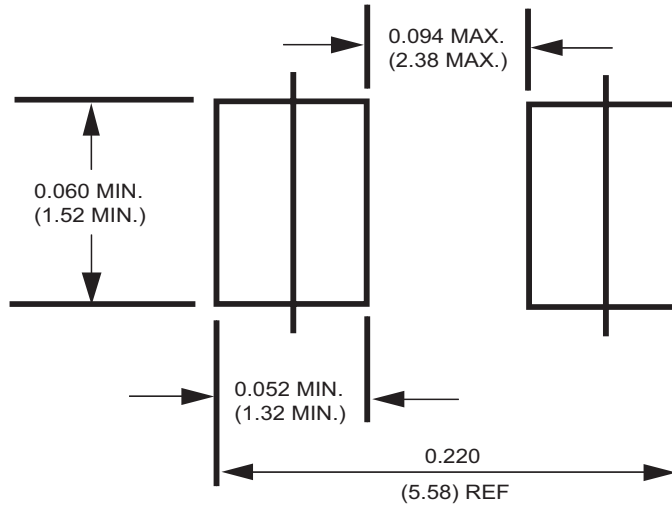


FIG. 6 - MAXIMUM JUNCTION CAPACITANCE

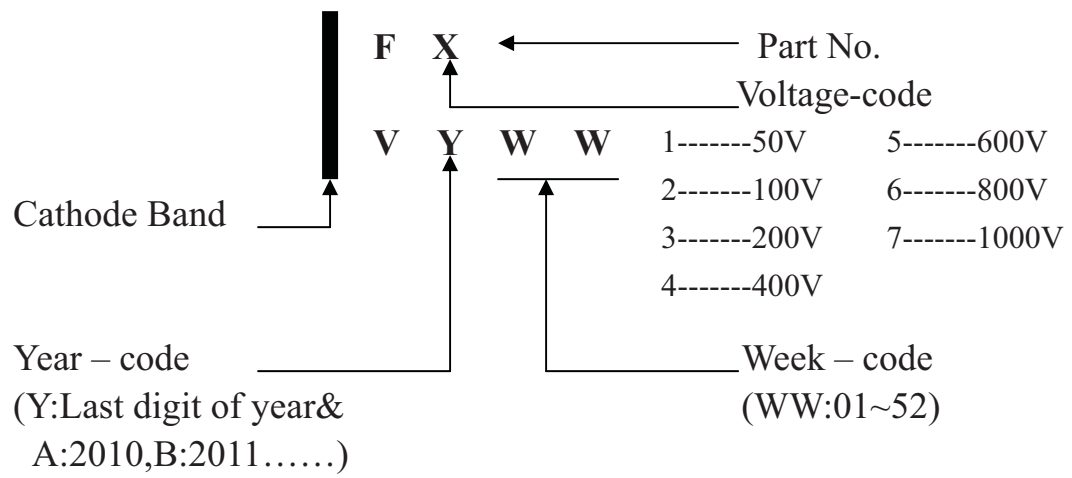


Mounting Pad Layout



Dimensions in inches and (millimeters)

Marking Description



PACKAGING OF DIODE AND BRIDGE RECTIFIERS

REEL PACK

PACKAGE	PACKING CODE	EA PER REEL	EA PER INNER BOX	COMPONENT SPACE (mm)	TAPE SPACE (mm)	REEL DIA (mm)	CARTON SIZE (mm)	EA PER CARTON	GROSS WEIGHT(Kg)
SMA	-W	7,500	15,000	---	---	330	360*355*360	120,000	15.2

PACKAGE	PACKING CODE	EA PER REEL	EA PER INNER BOX	COMPONENT SPACE (mm)	TAPE SPACE (mm)	REEL DIA (mm)	CARTON SIZE (mm)	EA PER CARTON	GROSS WEIGHT(Kg)
SMA	-T	2,000	8,000	---	---	178	390*205*310	64,000	7.8



Attachment information about FFM10X

5. Items marked on the reel box and carton

5.1 On the reel (for -T & -W)

CUSTOMER

TYPE

QUANTITY

LOT NO.

Q.A.

REMARK

5.2 On the box (for -T & -W)

TYPE

QUANTITY

LOT NO.

Q.A.

5.3 On the carton

CUSTOMER

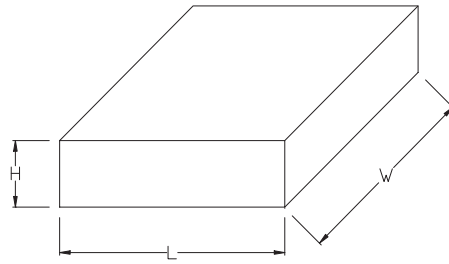
TYPE

QUANTITY

LOT NO.

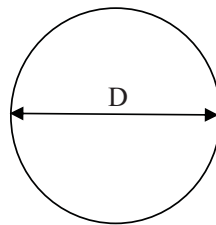
REMARK

1. BOX



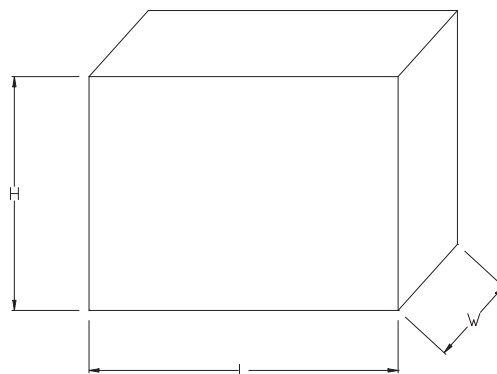
Packing Code	L (mm)	W (mm)	H (mm)
-T	182	182	68
-W	338	338	40

2. REEL



Packing Code	D (mm)
-T	178
-W	330

3. CARTON



Packing Code	L (mm)	W (mm)	H (mm)
-T	390	205	310
-W	360	355	360

DISCLAIMER NOTICE

Rectron Inc reserves the right to make changes without notice to any product specification herein, to make corrections, modifications, enhancements or other changes. Rectron Inc or anyone on its behalf assumes no responsibility or liability for any errors or inaccuracies. Data sheet specifications and its information contained are intended to provide a product description only. "Typical" parameters which may be included on RECTRON data sheets and/ or specifications can and do vary in different applications and actual performance may vary over time. Rectron Inc does not assume any liability arising out of the application or use of any product or circuit.

Rectron products are not designed, intended or authorized for use in medical, life-saving implant or other applications intended for life-sustaining or other related applications where a failure or malfunction of component or circuitry may directly or indirectly cause injury or threaten a life without expressed written approval of Rectron Inc. Customers using or selling Rectron components for use in such applications do so at their own risk and shall agree to fully indemnify Rectron Inc and its subsidiaries harmless against all claims, damages and expenditures.

Mouser Electronics

Authorized Distributor

Click to View Pricing, Inventory, Delivery & Lifecycle Information:

Rectron:

[FFM106-W](#) [FFM102-W](#) [FFM101-W](#) [FFM105-T](#) [FFM103-T](#) [FFM101-T](#) [FFM104-W](#) [FFM102-T](#) [FFM107-T](#)
[FFM107-W](#) [FFM105-W](#) [FFM103-W](#) [FFM101](#) [FFM102](#) [FFM103](#) [FFM104](#) [FFM105](#) [FFM106](#) [FFM107](#) [FFM104W-W](#)
[FFM106W-W](#) [FFM107W-W](#) [FFM103W-W](#) [FFM105W-W](#) [FFM101W-W](#) [FFM102W-W](#)