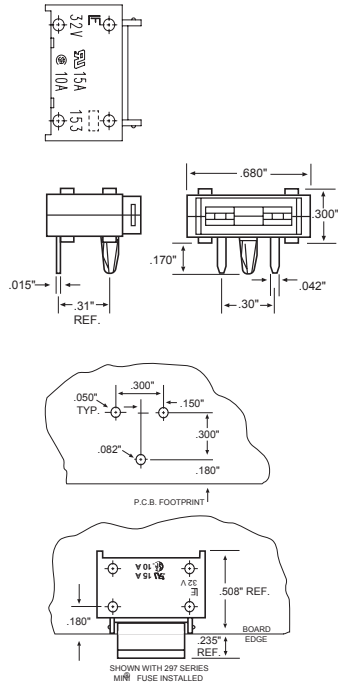
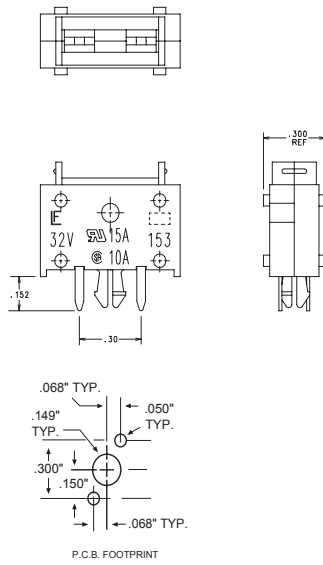


PCB MOUNT FUSE HOLDER FOR MINI® STYLE BLADE FUSE

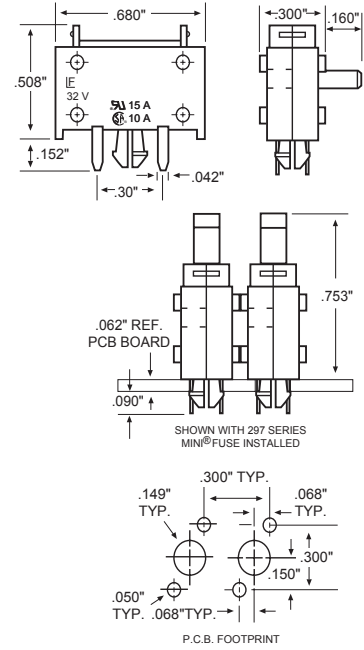
01530007_



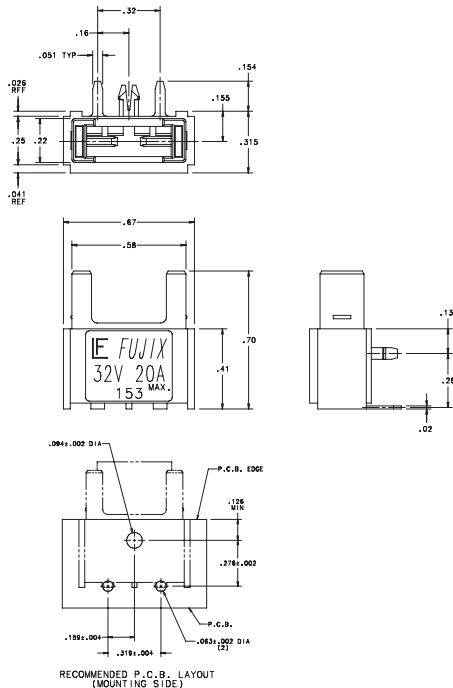
01530008_



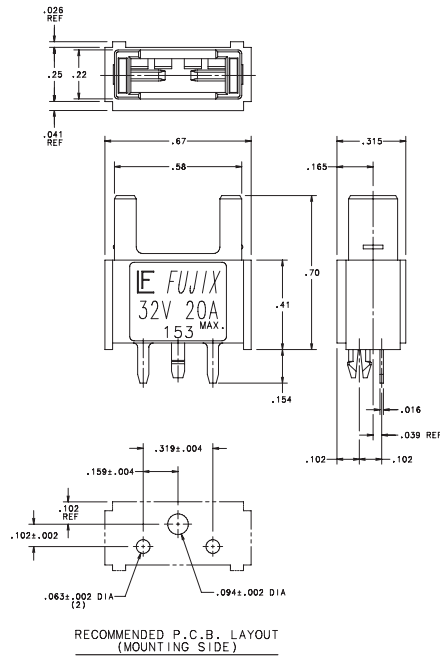
01530009_



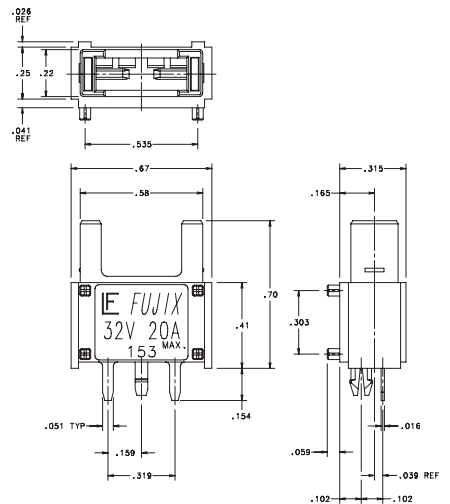
01530031_



01530032_



01530033_



Mouser Electronics

Authorized Distributor

Click to View Pricing, Inventory, Delivery & Lifecycle Information:

[Littelfuse:](#)

[01530032Z](#) [01530031Z](#) [01530007Z](#) [01530008Z](#) [01530009Z](#) [01530033Z](#) [01530008LXN](#) [01530007LXN](#)
[01530009LXN](#)