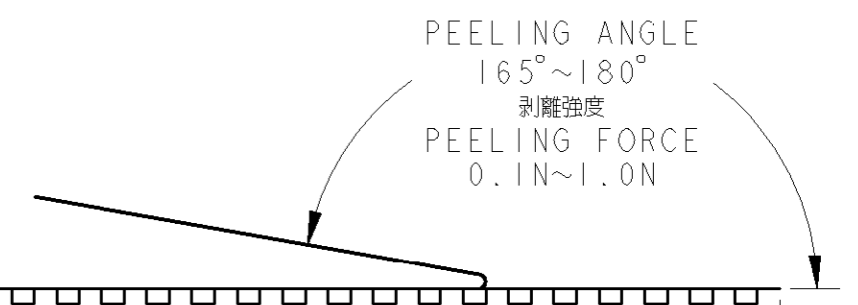
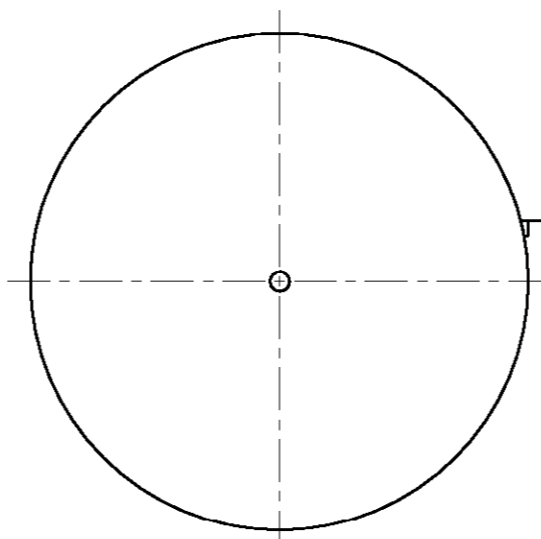
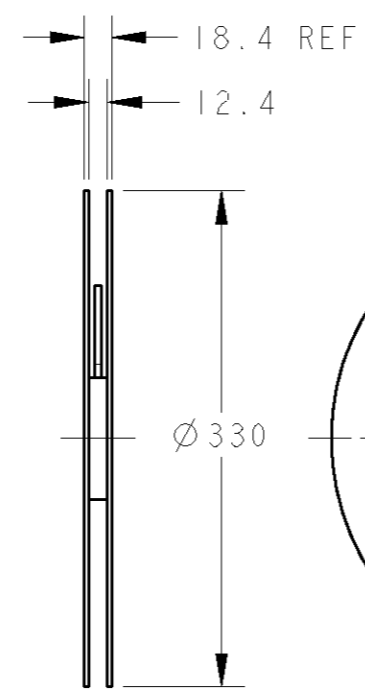


THIS DRAWING IS UNPUBLISHED. RELEASED FOR PUBLICATION 20  
 © COPYRIGHT 20 BY TYCO ELECTRONICS CORPORATION. ALL RIGHTS RESERVED.

LOC	DIST	REVISIONS			
P	LTR	DESCRIPTION	DATE	DWN	APVD
J	-	SEE SHEET 1	-	-	-

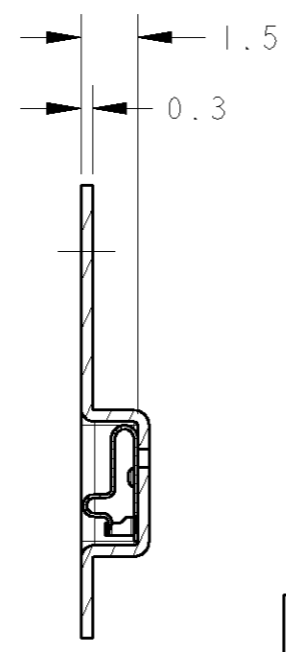
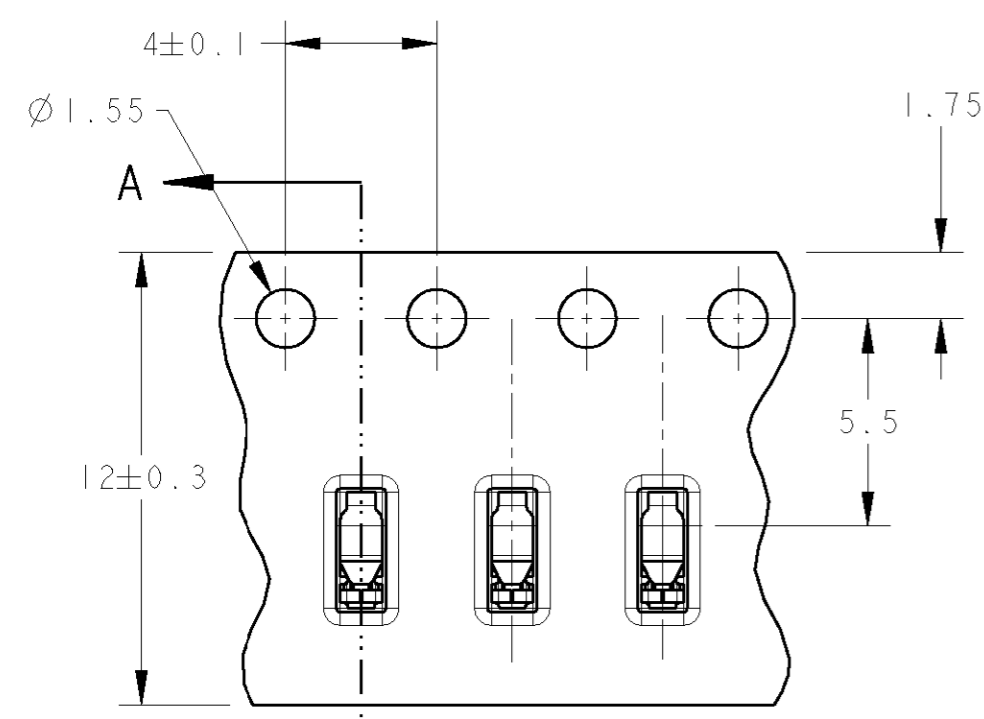


製品装填部  
WITH PRODUCT CHARGE  
5,000EA/REEL

トレーラ部  
160mmMIN  
WITHOUT CHARGE

300MIN  
リーダ部 COVER TAPE  
キャリアテープ空部: 100mm以上  
WITHOUT CHARGE

→ DIRECTION OFF TOP OF REEL



断面 A-A

THIS DRAWING IS A CONTROLLED DOCUMENT FOR TYCO ELECTRONICS CORPORATION  
 IT IS SUBJECT TO CHANGE AND THE CONTROLLING ENGINEERING ORGANIZATION  
 SHOULD BE CONTACTED FOR THE LATEST REVISION.

DIMENSIONS: mm		TOLERANCES UNLESS OTHERWISE SPECIFIED:	
	0 PLC ±0.2	1 PLC ±0.2	2 PLC ±0.2
	3 PLC ±0.2	4 PLC ±0.2	ANGLES ±2
MATERIAL	FINISH		

DWN	SEE SHEET 1
CHK	
APVD	
PRODUCT SPEC	-
APPLICATION SPEC	-
WEIGHT	-
CUSTOMER DRAWING	

<b>tyco</b> Electronics		Tyco Electronics AMP K.K. Kawasaki, Japan	
NAME SHIELD FINGER 1511			
SIZE	CAGE CODE	DRAWING NO	RESTRICTED TO
A3	00779	C-1565158	-
SCALE 20:1		SHEET 2 OF 2	REV A

# Mouser Electronics

Authorized Distributor

Click to View Pricing, Inventory, Delivery & Lifecycle Information:

[TE Connectivity:](#)

[1565158-1](#)