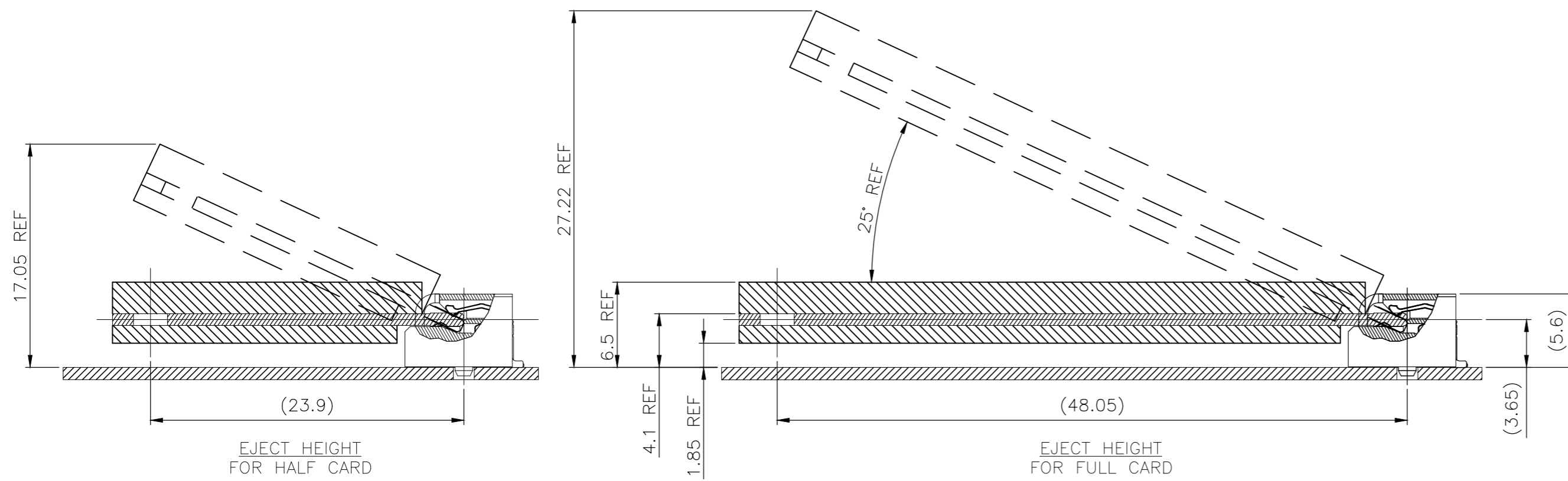
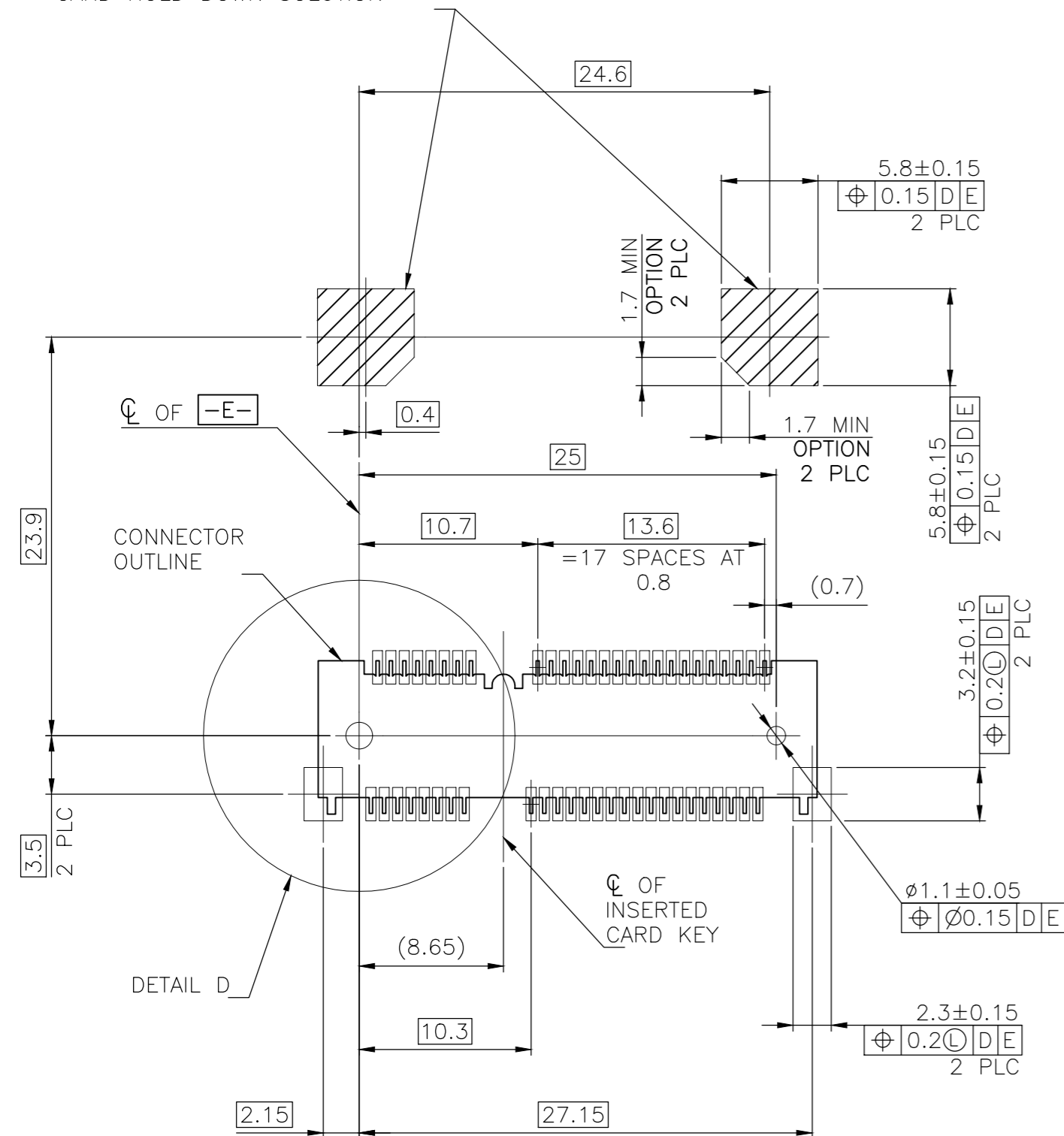


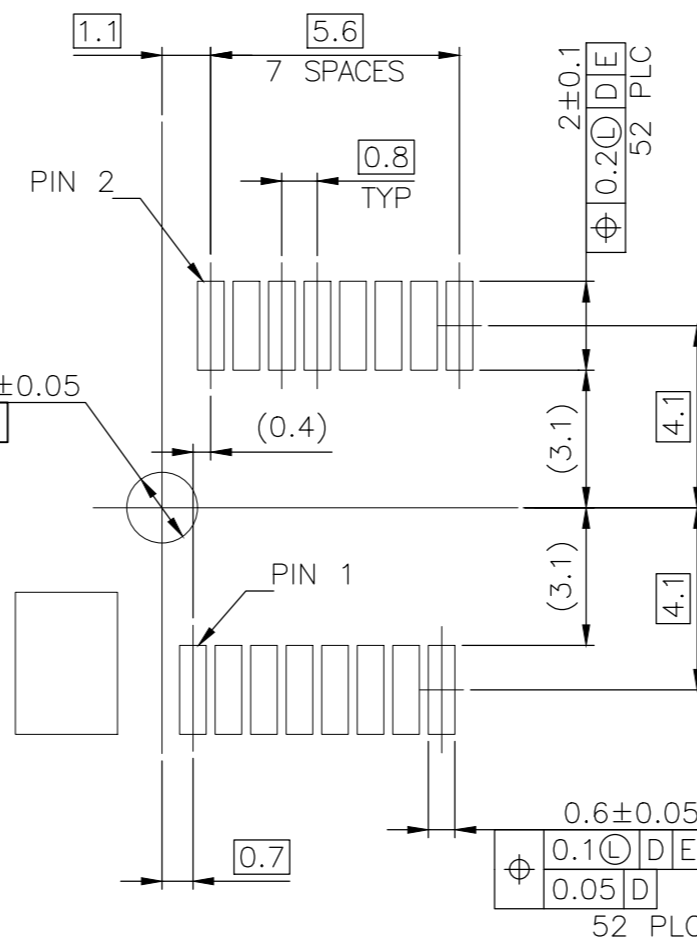
REVISIONS					
P	LTR	DESCRIPTION	DATE	DWN	APVD
-	-	SEE SHEET 1	-	-	-



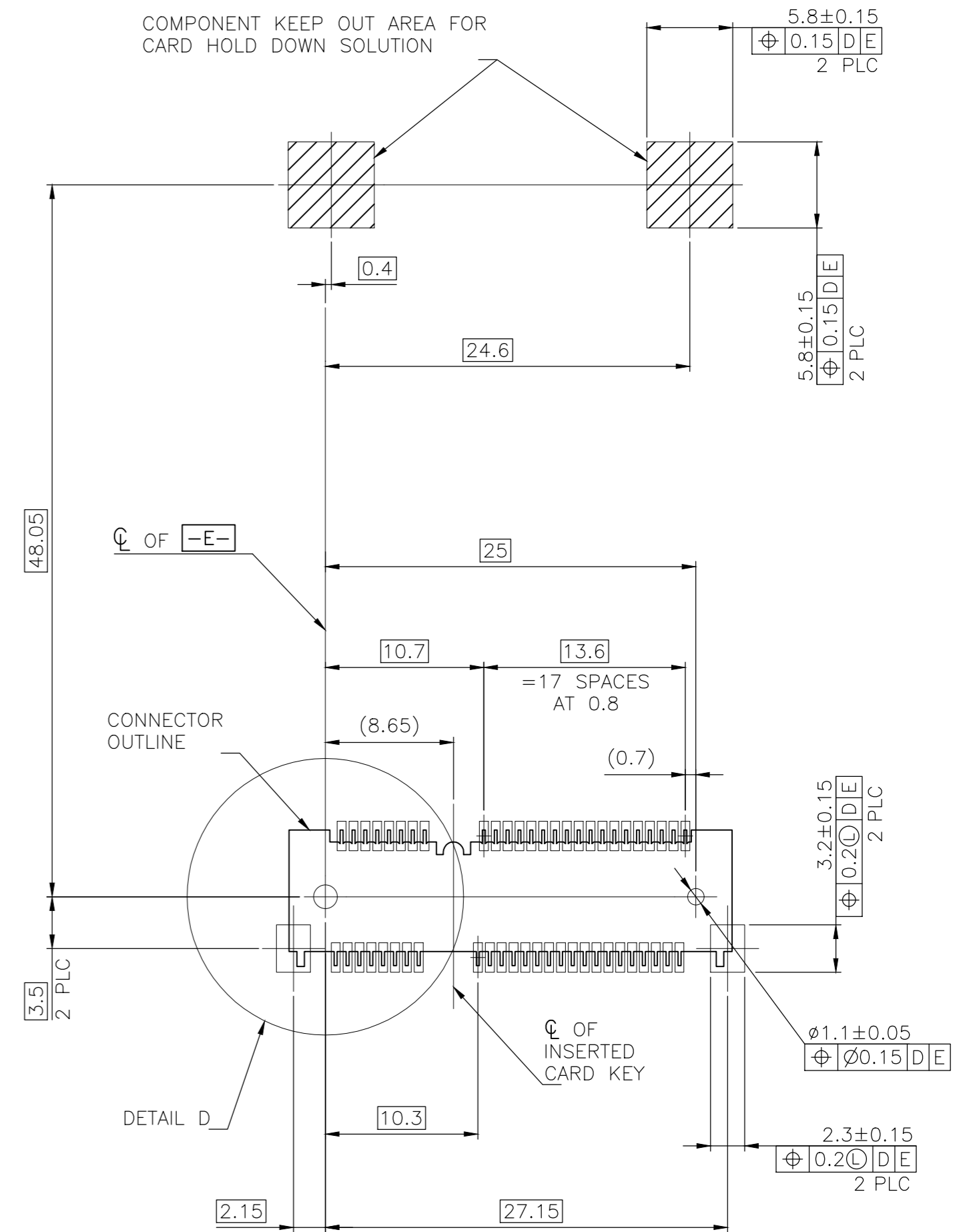
COMPONENT KEEP OUT AREA FOR CARD HOLD DOWN SOLUTION



-D- IS THE TOP SURFACE OF PCB.  
 RECOMMENDED P.C. BOARD PATTERN LAYOUT FOR HALF CARD CONNECTOR (TOP VIEW)



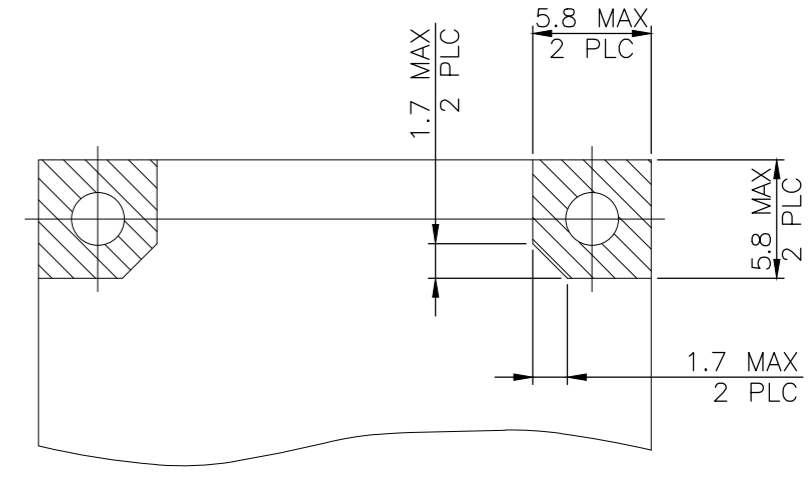
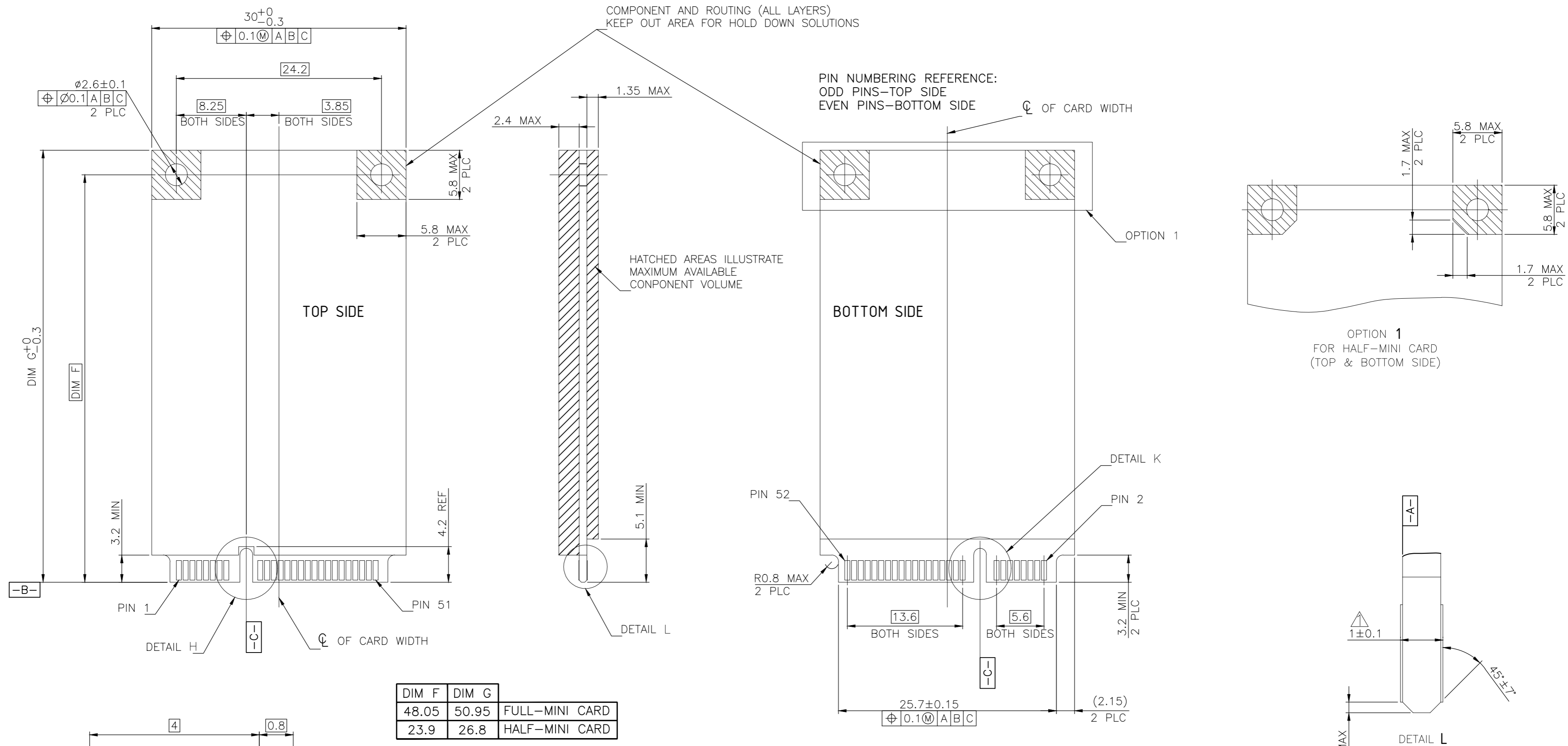
COMPONENT KEEP OUT AREA FOR CARD HOLD DOWN SOLUTION



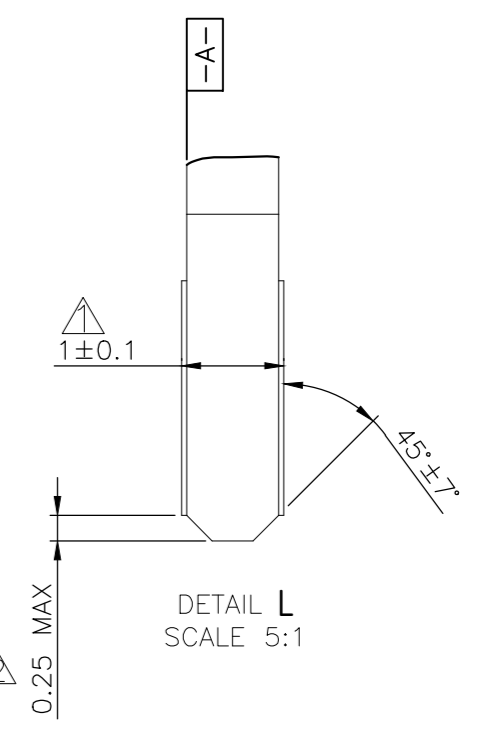
-D- IS THE TOP SURFACE OF PCB.  
 RECOMMENDED P.C. BOARD PATTERN LAYOUT FOR FULL CARD CONNECTOR (TOP VIEW)

THIS DRAWING IS A CONTROLLED DOCUMENT.		DWN	01JUN2016	<b>TE</b> TE Connectivity	
DIMENSIONS: mm		CHK	-		
TOLERANCES UNLESS OTHERWISE SPECIFIED:		APVD	-	NAME	
0 PLC	± -	PRODUCT SPEC	-	2 IN 1 mSATA & PCI EXPRESS MINI CARD CONNECTOR, 5.6 MM HEIGHT	
1 PLC	± -	APPLICATION SPEC	-	SIZE	CAGE CODE
2 PLC	± -	WEIGHT	-	A2	00779
3 PLC	± -	CUSTOMER DRAWING	-	DRAWING NO	C=1775838
4 PLC	± -	SCALE	-	SHEET	2 OF 5
ANGLES	± -	RESTRICTED TO	-	REV	J
FINISH	-				

REVISIONS					
P	LTR	DESCRIPTION	DATE	DWN	APVD
-	-	SEE SHEET 1	-	-	-



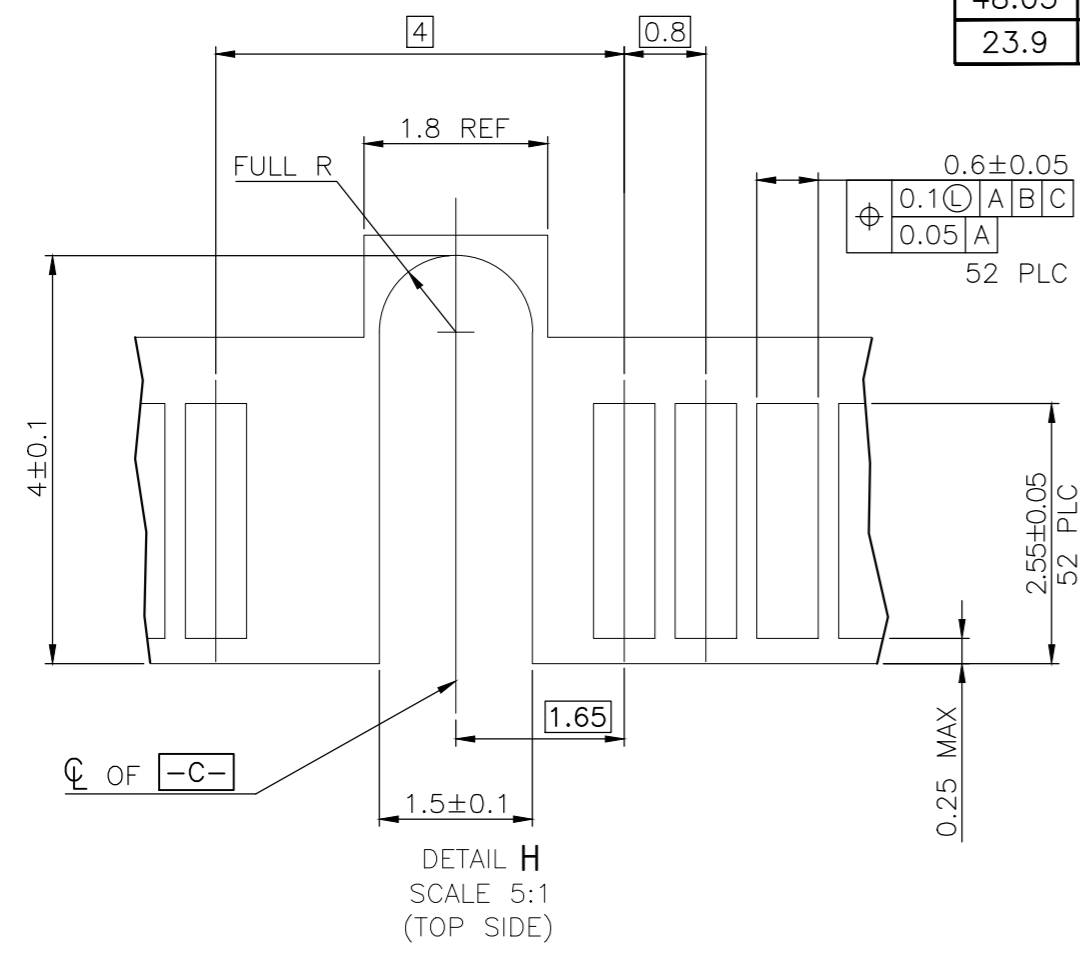
OPTION 1  
FOR HALF-MINI CARD  
(TOP & BOTTOM SIDE)



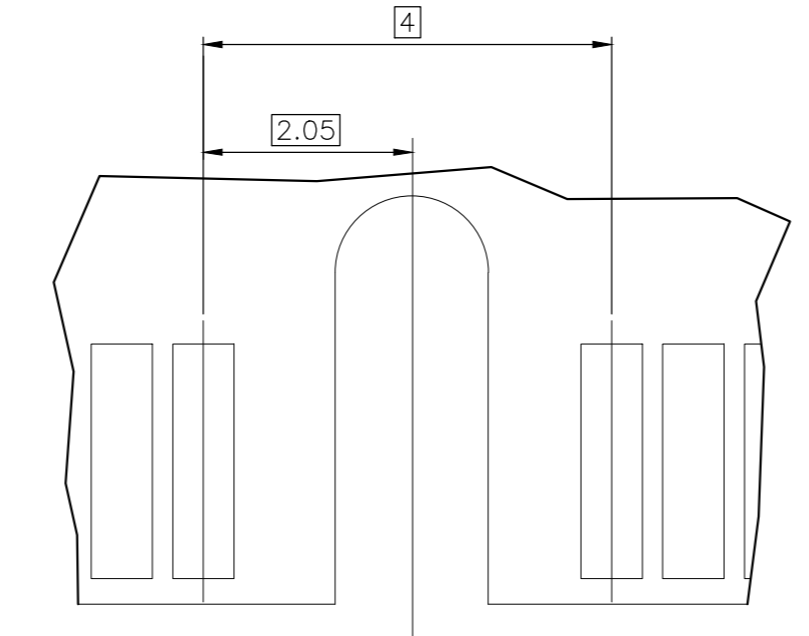
DETAIL L  
SCALE 5:1

- NOTES:
- ▲ CARD THICKNESS APPLIES ACROSS TABS AND INCLUDES PLATING AND/OR METALLIZATION.
  - ▲ EDGE BEVEL MUST BE PRESENT AND FREE OF CUTTING BURRS FROM PCB AND CONTACT MATERIALS.

FOR PCI EXPRESS MINI CARD



DETAIL H  
SCALE 5:1  
(TOP SIDE)



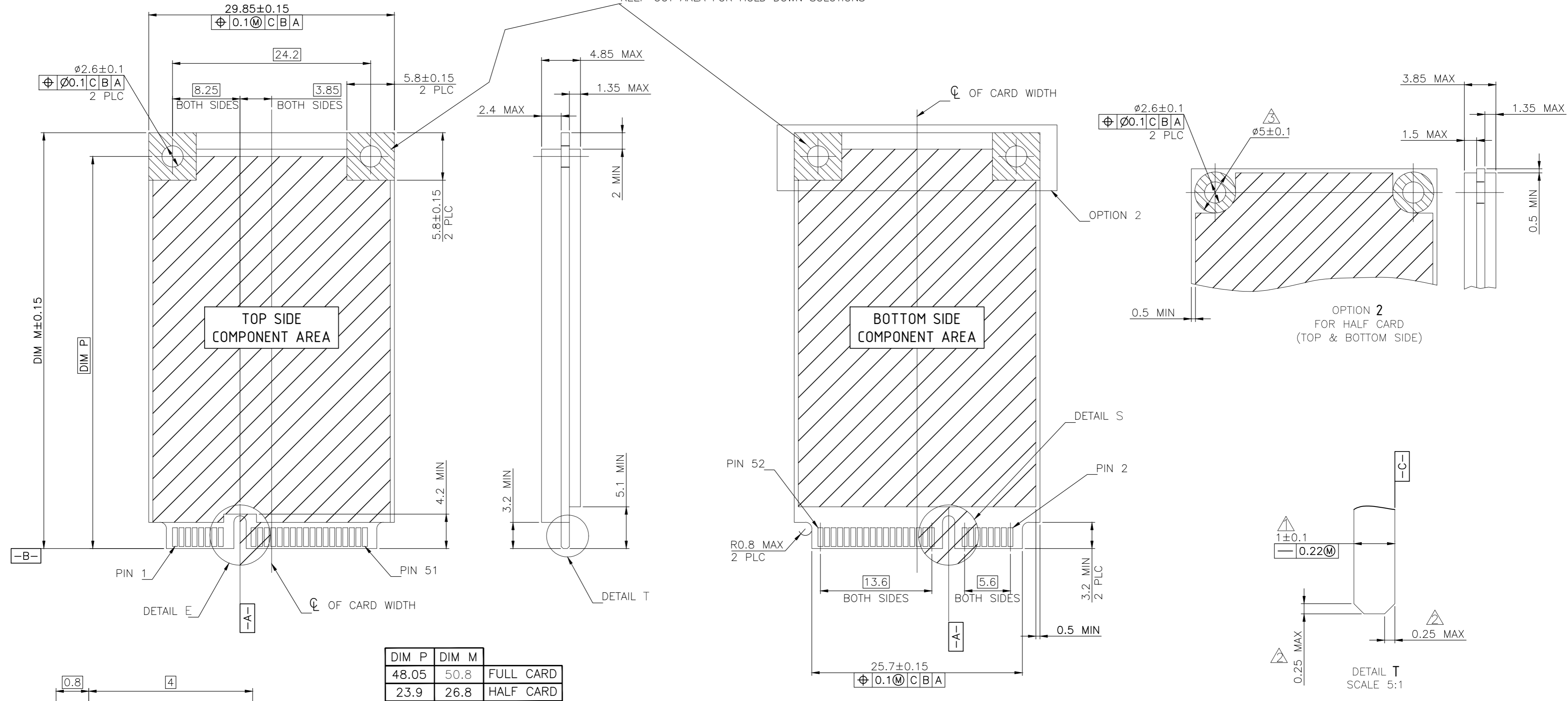
DETAIL K  
SCALE 5:1  
(BOTTOM SIDE)

THIS DRAWING IS A CONTROLLED DOCUMENT.		DWN	01JUN2016		<b>TE</b> TE Connectivity
DIMENSIONS: mm		CHK			
TOLERANCES UNLESS OTHERWISE SPECIFIED:		APVD			NAME 2 IN 1 mSATA & PCI EXPRESS MINI CARD CONNECTOR, 5.6 MM HEIGHT
0 PLC ± -		PRODUCT SPEC			
1 PLC ± -		APPLICATION SPEC			SIZE
2 PLC ± -					CAGE CODE
3 PLC ± -					DRAWING NO
4 PLC ± -					RESTRICTED TO
ANGLES ± -		WEIGHT	A2 00779		SCALE
FINISH			C=1775838		SHEET
		CUSTOMER DRAWING			3 of 5
					REV
					J

THIS DRAWING IS UNPUBLISHED. RELEASED FOR PUBLICATION  
 © COPYRIGHT 2011 BY TE CONNECTIVITY. ALL RIGHTS RESERVED.

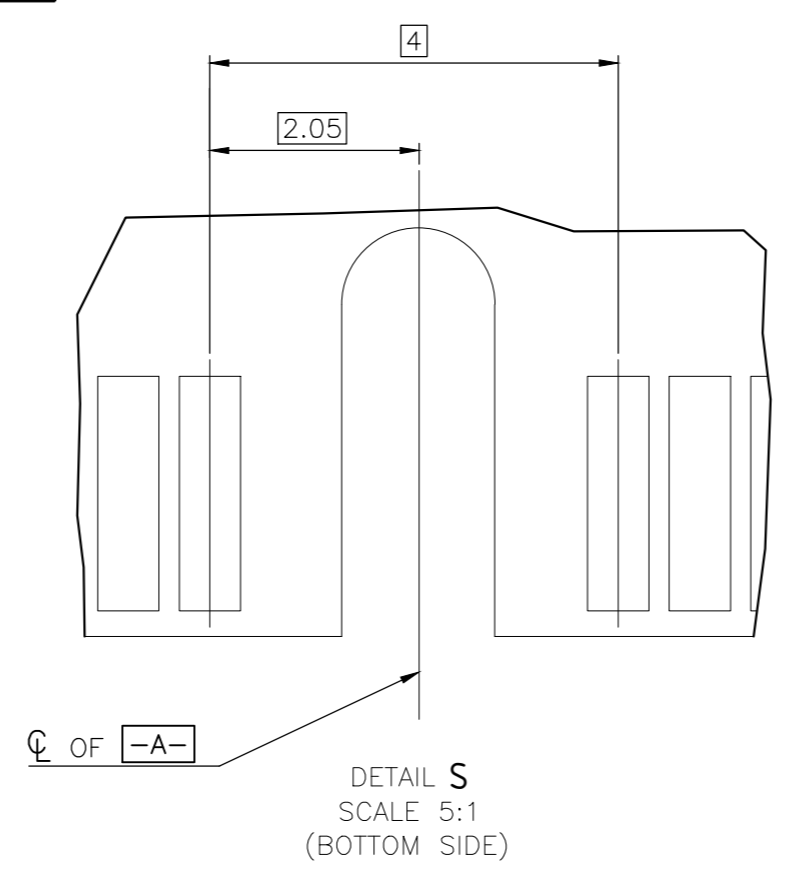
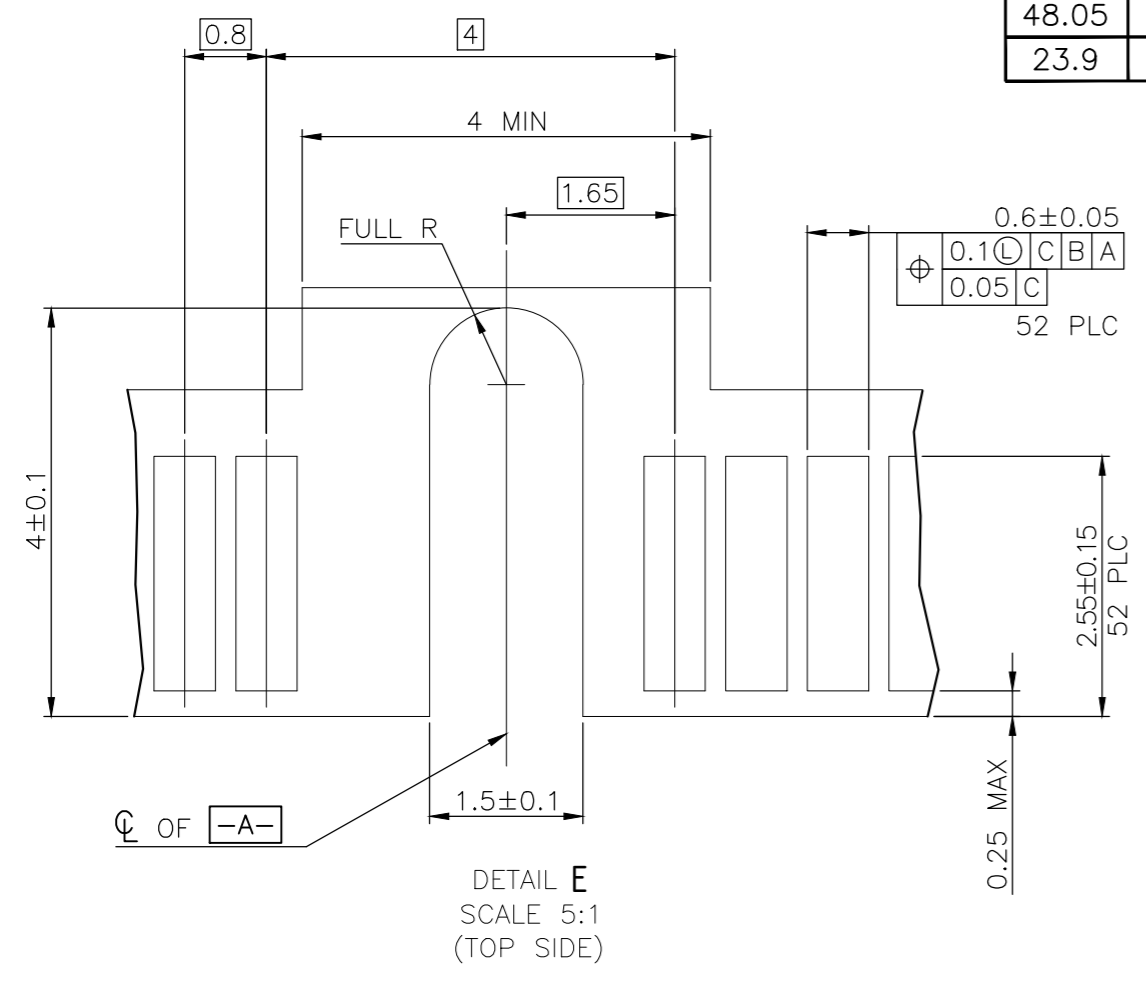
REVISIONS					
P	LTR	DESCRIPTION	DATE	DWN	APVD
-	-	SEE SHEET 1	-	-	-

COMPONENT AND ROUTING (ALL LAYERS)  
 KEEP OUT AREA FOR HOLD DOWN SOLUTIONS



- NOTES:
- ▲ CARD THICKNESS APPLIES ACROSS TABS AND INCLUDES PLATING AND/OR METALLIZATION.
  - ▲ EDGE BEVEL MUST BE PRESENT AND FREE OF CUTTING BURRS FROM PCB AND CONTACT MATERIALS.
  - ▲ COMPONENT AND ROUTING (TOP/BOTTOM LAYER) KEEP OUT AREA FOR HOLD DOWN SOLUTIONS.

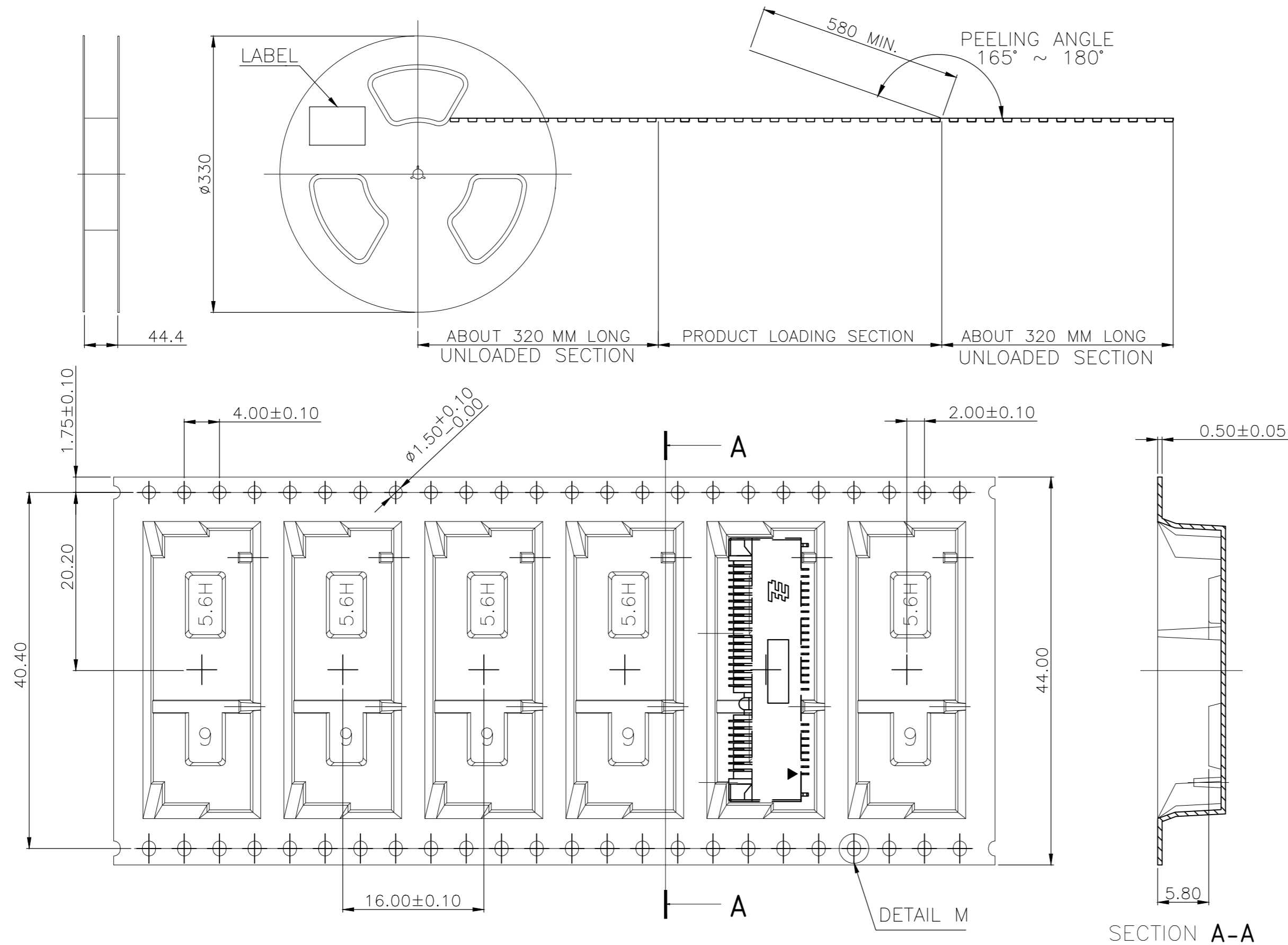
FOR mSATA



THIS DRAWING IS A CONTROLLED DOCUMENT.		DWN	01JUN2016	<b>TE</b> TE Connectivity	
DIMENSIONS: mm		CHK	-		
TOLERANCES UNLESS OTHERWISE SPECIFIED:		APVD	-	NAME	
0 PLC ± -		PRODUCT SPEC	-	2 IN 1 mSATA & PCI EXPRESS MINI CARD CONNECTOR, 5.6 MM HEIGHT	
1 PLC ± -		APPLICATION SPEC	-	SIZE	CAGE CODE
2 PLC ± -		WEIGHT	-	A2	00779
3 PLC ± -		CUSTOMER DRAWING	-	DRAWING NO	C=1775838
4 PLC ± -		SCALE	-	SHEET	4 OF 5
ANGLES ± -		REV	J	RESTRICTED TO	
FINISH					

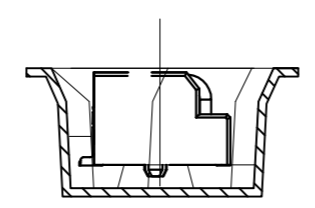
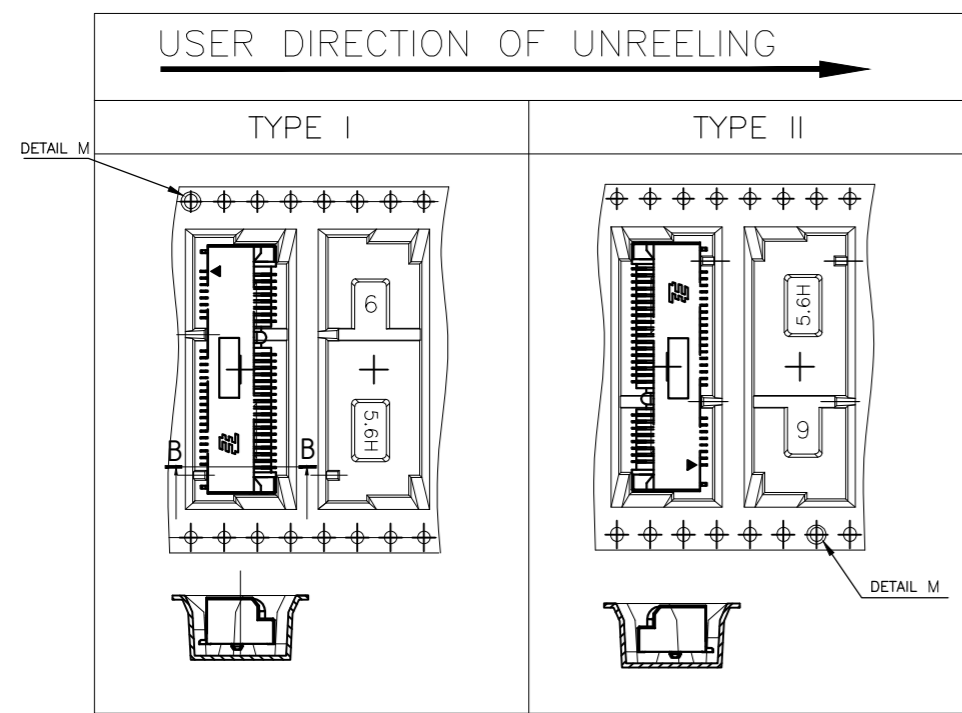
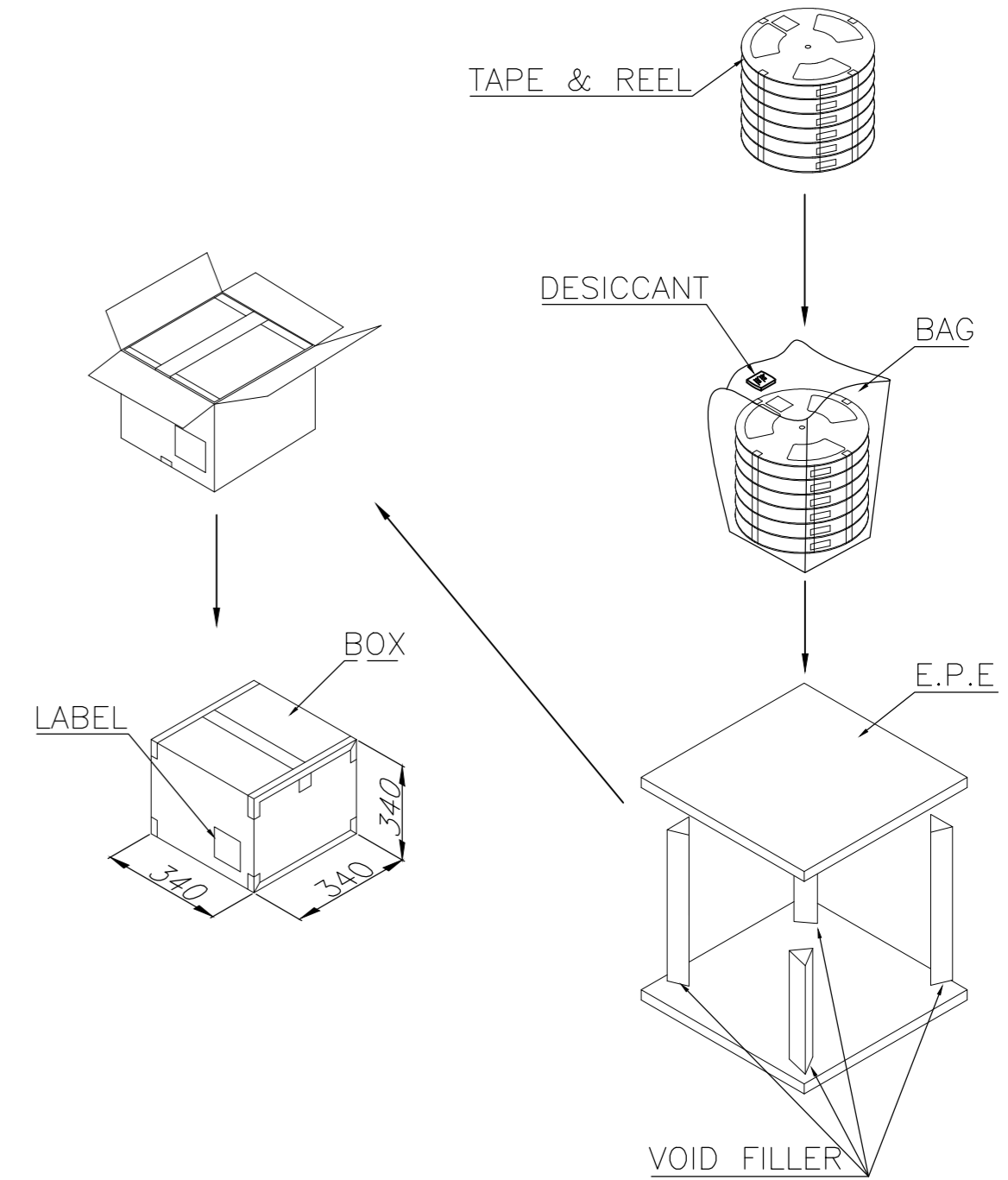
THIS DRAWING IS UNPUBLISHED. RELEASED FOR PUBLICATION  
 © COPYRIGHT 2011 BY TE CONNECTIVITY. ALL RIGHTS RESERVED.

REVISIONS					
P	LTR	DESCRIPTION	DATE	DWN	APVD
-	-	SEE SHEET 1	-	-	-

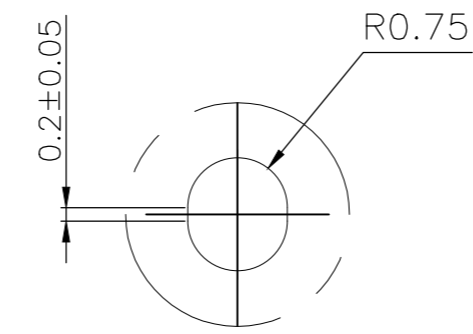


NOTES:

- MATERIAL:  
 BOX: FIBREBOARD, CORRUGATED, DOUBLE WALL.  
 COVER TAPE: POLYSTYRENES, TRANSPARENT COLOR.  
 CARRIER TAPE: POLYSTYRENES, TRANSPARENT COLOR.  
 REEL: HIPS, BLUE COLOR.  
 BAG: POLYETHYLENES, TRANSPARENT COLOR.
- EACH BAG SHALL BE INCLUDED DESICCANT.
- PEELING STRENGTH: 0.1 ~ 1.3 N (10 ~ 130 GRAMS).
- PEELING SPEED: 300 mm/min.



SECTION B-B



DETAIL M  
SCALE 4:1

SECTION A-A

3000 PCS	500	6	9.86	4.98
QUANTITY	PCS/TAPE	REELS/BOX	G/W(Kg)	N/W(Kg)

THIS DRAWING IS A CONTROLLED DOCUMENT.		DWN	01JUN2016	TE Connectivity	
DIMENSIONS: mm		CHK	-	NAME	
TOLERANCES UNLESS OTHERWISE SPECIFIED:		APVD	-	2 IN 1 mSATA & PCI EXPRESS MINI CARD CONNECTOR, 5.6 MM HEIGHT	
0 PLC ± -		PRODUCT SPEC	-	SIZE	CAGE CODE
1 PLC ± -		APPLICATION SPEC	-	A2	00779
2 PLC ± -		WEIGHT	-	DRAWING NO	C=1775838
3 PLC ± -		CUSTOMER DRAWING	-	RESTRICTED TO	-
4 PLC ± -		SCALE	-	SHEET	5 of 5
ANGLES ± -		REV	J		
FINISH					

# Mouser Electronics

Authorized Distributor

Click to View Pricing, Inventory, Delivery & Lifecycle Information:

[TE Connectivity:](#)

[1775838-2](#)