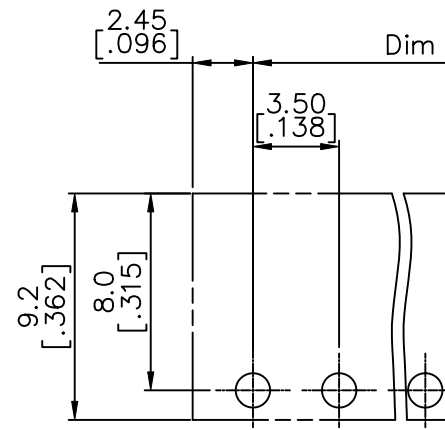
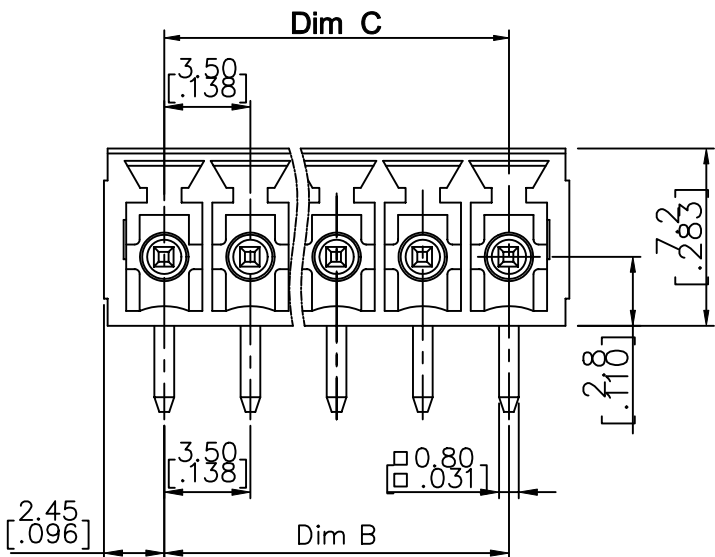
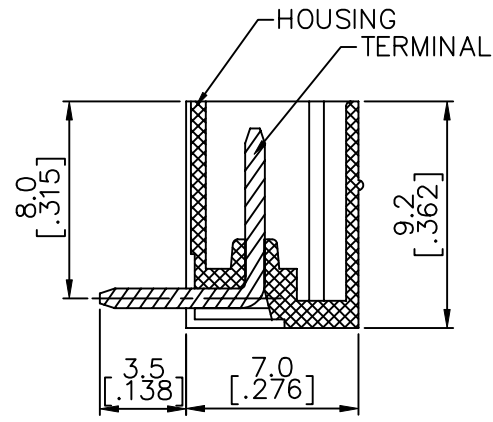
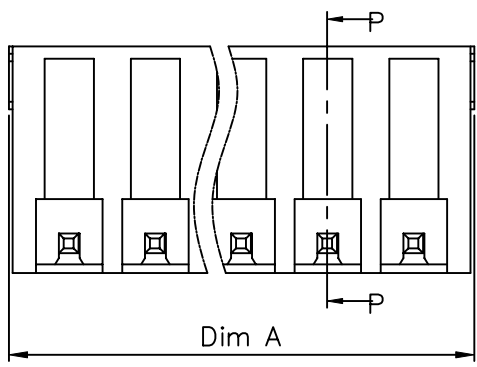




PRODUCT NUMBER	SERIES NAME	PITCH
20020110-CXXXXXXLF	06-350	3.50 mm



RECOMMENDED P



N= NUMBER DIMENSION

Dim A	()
Dim B	()
Dim C	()

Poles	
2P-6P	
7P-12P	
13P-18P	
19P-24P	

mat'l. code		surface	tolerances unless
ltr		ASME Y14.5	
ecn	no	dr	date
K			
angles		in	X.±
X°±1°		in	X.X±
		in	X.XX±
dr		BEER FU	
enr		BEER FU	
chr		GARY HSIEH	
appd		JOSEPH HS	
sheet	revision		
index	sheet		

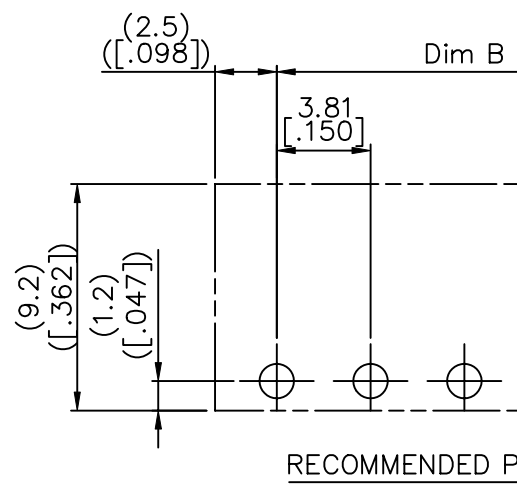
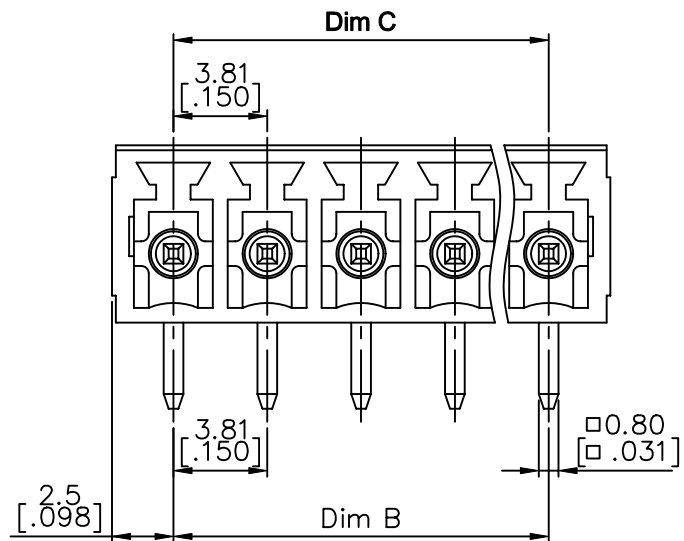
A

B



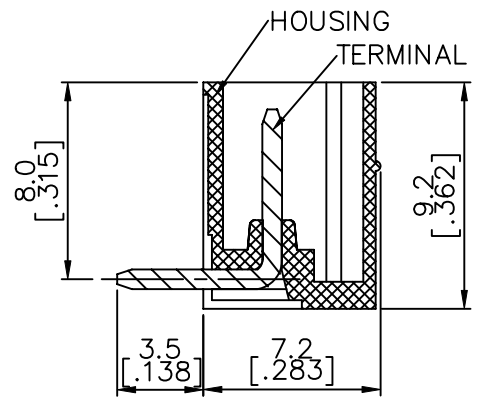
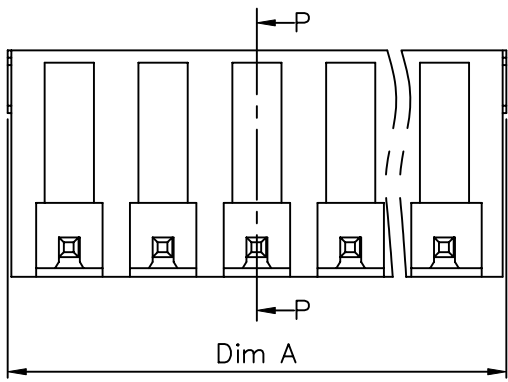
1 | 2

PRODUCT NUMBER	SERIES NAME	PITCH
20020110-DXXXXXLF	06-381	3.81 mm



RECOMMENDED P

A



SECTION P-P

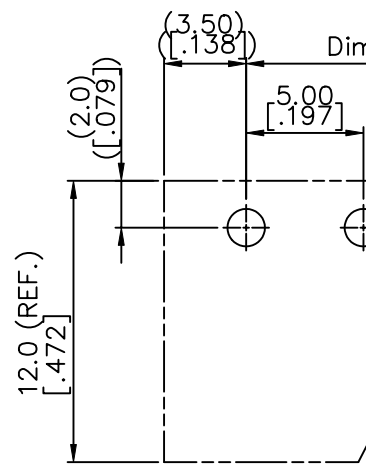
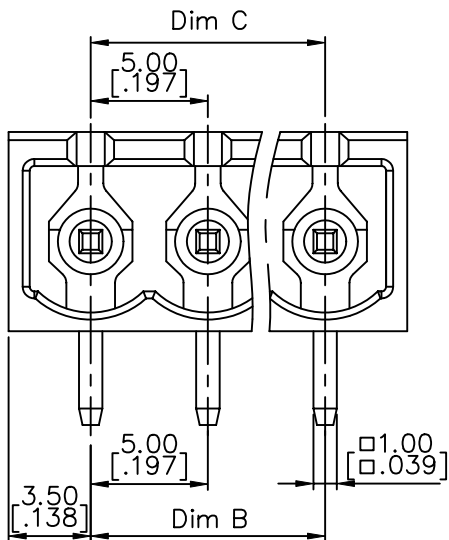
B

mat'l. code		surface	tolerances
		ASME Y14.5	unless
ltr	ecn no	dr	date
K			
		angles	X.±
		lineal	X.X±
		X°±1'	X.XX
		dr	BEER FU
		enr	BEER FU
		chr	GARY HSE
		appd	JOSEPH HS
sheet	revision		
index	sheet		

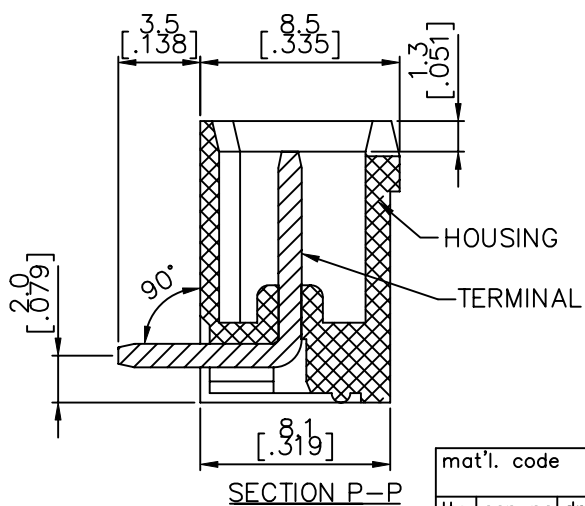
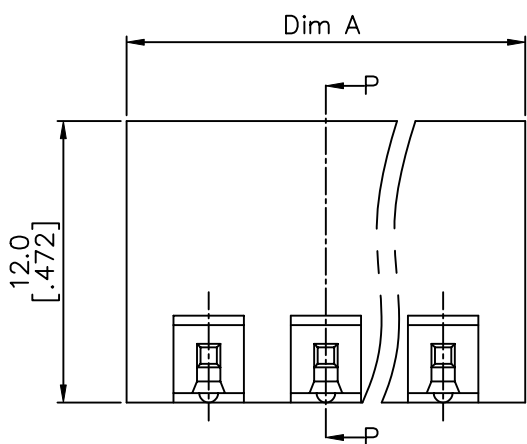


1 | 2

PRODUCT NUMBER	SERIES NAME	PITCH
20020110-GXXXXXXLF	06-500	5.00 mm



RECOMMENDED



N = NUMBER OF DIMENSIONS

Dim A	N
Dim B	(1)
Dim C	(1)

Poles
2p-6p
7p-12p
13p-18p
19p-24p

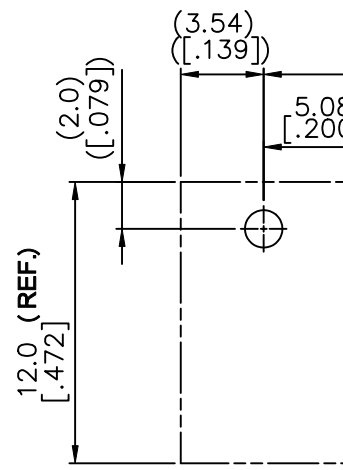
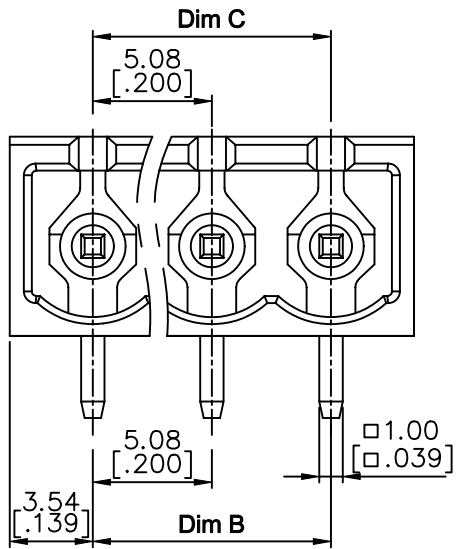
mat'l. code		surface	tolerances unless
		ASME Y14.5	
ltr	ecn no	dr	date
K			
		angles	X.±
		line	X.X±
			X.XX±
		dr	BEER FU
		enr	BEER FU
		chr	GARY HSIEH
		appd	JOSEPH HSIEH
sheet index	revision sheet		

A

B

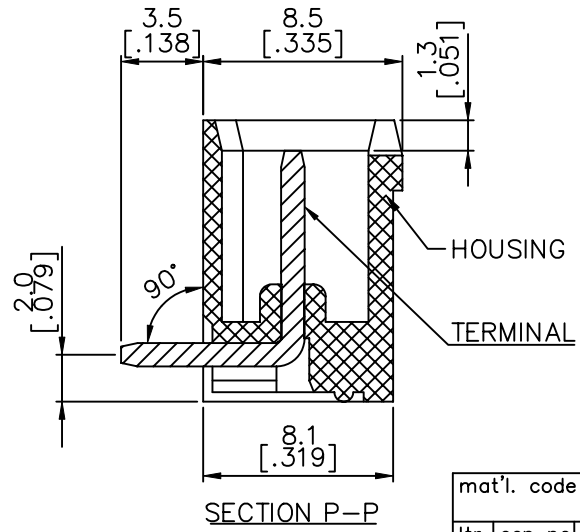
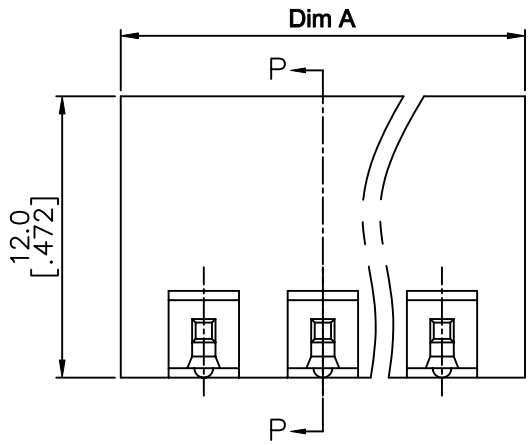


PRODUCT NUMBER	SERIES NAME	PITCH
20020110-HXXXXXLF	06-508	5.08 mm



RECOMMEN

A



N = NUM
DIMENSIO
Dim A N
Dim B (
Dim C (
Poles
2p-6p
7p-12
13p-1
17p-2

B

mat'l. code		surface	ASME Y14.5	tolerances unless
ltr	ecn no	dr	date	
K				
				angles
				in
				X.±
				X.X±
				X'±1"
				X.XX
		dr	BEER FU	
		enr	BEER FU	
		chr	GARY HSIE	
		appd	JOSEPH HS	
sheet	revision			
index	sheet			

Mouser Electronics

Authorized Distributor

Click to View Pricing, Inventory, Delivery & Lifecycle Information:

Amphenol:

[20020110-G061A01LF](#) [20020110-H021A01LF](#) [20020110-H031A01LF](#) [20020110-H041A01LF](#) [20020110-H061A01LF](#)
[20020110-G181A01LF](#) [20020110-G021A01LF](#) [20020110-C031A01LF](#) [20020110-G151A01LF](#) [20020110-](#)
[H151A01LF](#) [20020110-H051A01LF](#) [20020110-G051A01LF](#) [20020110-G081A01LF](#) [20020110-H181A01LF](#)
[20020110-G211A01LF](#) [20020110-G191A01LF](#) [20020110-H161A01LF](#) [20020110-H121A01LF](#) [20020110-H191A01LF](#)
[20020110-G121A01LF](#) [20020110-H071A01LF](#) [20020110-H081A01LF](#) [20020110-G161A01LF](#) [20020110-](#)
[G131A01LF](#) [20020110-H211A01LF](#) [20020110-G171A01LF](#) [20020110-G091A01LF](#) [20020110-H141A01LF](#)
[20020110-G071A01LF](#) [20020110-H091A01LF](#) [20020110-G221A01LF](#) [20020110-G101A01LF](#) [20020110-G201A01LF](#)
[20020110-C161A01LF](#) [20020110-H201A01LF](#) [20020110-G031A01LF](#) [20020110-H111A01LF](#) [20020110-](#)
[G241A01LF](#) [20020110-G141A01LF](#) [20020110-G111A01LF](#) [20020110-H101A01LF](#) [20020110-G231A01LF](#)
[20020110-H241A01LF](#) [20020110-H221A01LF](#) [20020110-H131A01LF](#) [20020110-H231A01LF](#) [20020110-G041A01LF](#)
[20020110-H171A01LF](#) [20020110-C034A01LF](#) [20020110-H043A01LF](#) [20020110-D072A01LF](#) [20020110-G022A01LF](#)
[20020110-C084A01LF](#) [20020110-D042A01LF](#) [20020110-C112A01LF](#) [20020110-C102A01LF](#) [20020110-C162A01LF](#)
[20020110-G072A01LF](#) [20020110-C044A01LF](#) [20020110-H033A01LF](#) [20020110-D022A01LF](#) [20020110-C062A01LF](#)
[20020110-D062A01LF](#) [20020110-C092A01LF](#) [20020110-C063A01LF](#) [20020110-C032A01LF](#) [20020110-D102A01LF](#)
[20020110-D032A01LF](#) [20020110-D132A01LF](#) [20020110-C083A01LF](#) [20020110-C043A01LF](#) [20020110-C123A01LF](#)

FCI / Amphenol:

[20020110-H182A01LF](#) [20020110D042A01L](#) [20020110-H063A01LF](#) [20020110-H053A01LF](#) [20020110H182A01L](#)