

Rating and Characteristic Curves (UF4001-G Thru. UF4008-G)

Fig.1 - Typical Forward Current Derating Curve

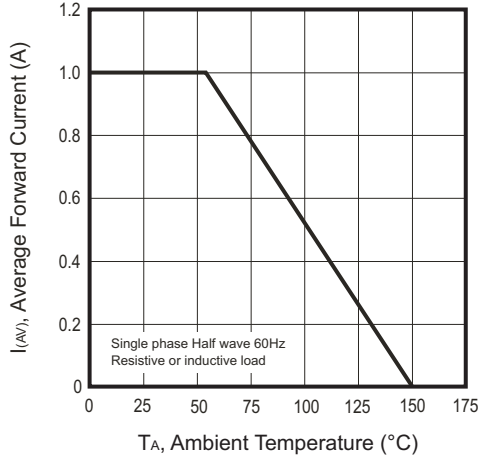


Fig.2 - Max. Non-Repetitive Surge Current

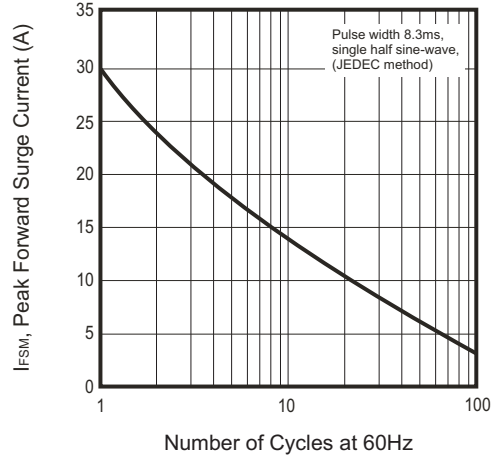


Fig.3 - Typical Forward Characteristics

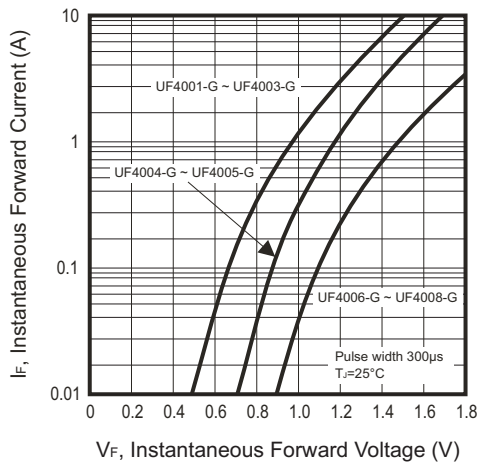
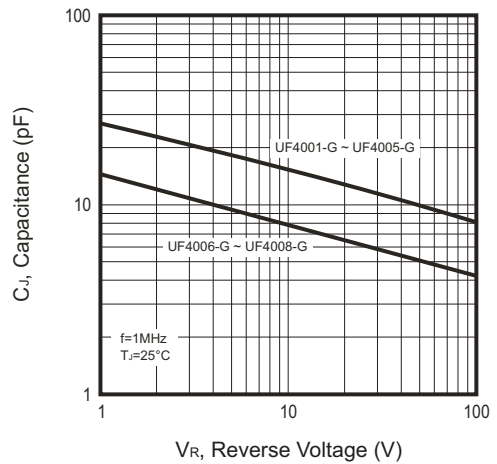


Fig.4 - Typical Junction Capacitance



Marking Code

Part Number	Marking code
UF4001-G	UF4001
UF4002-G	UF4002
UF4003-G	UF4003
UF4004-G	UF4004
UF4005-G	UF4005
UF4006-G	UF4006
UF4007-G	UF4007
UF4008-G	UF4008

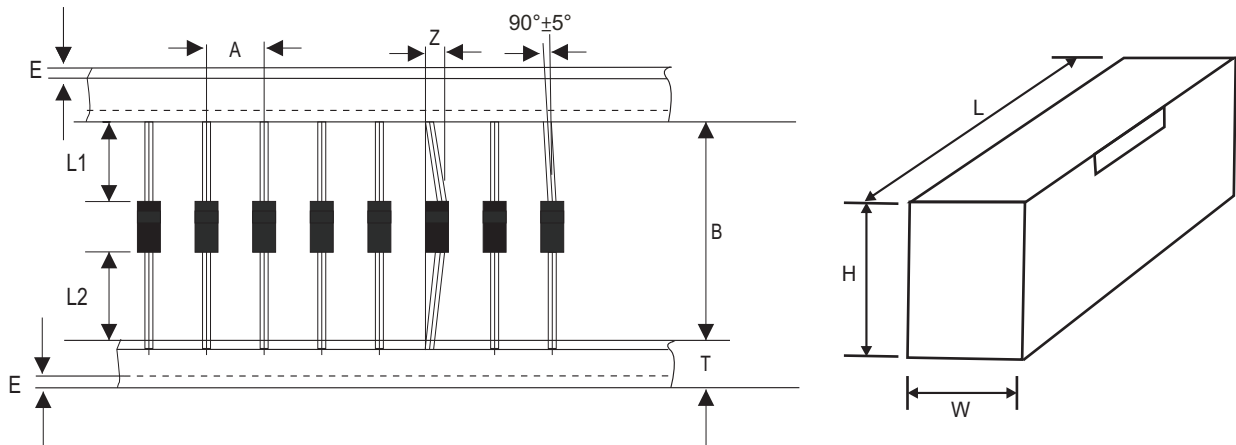


XXX = Product type marking code

Standard Packaging

Case Type	AMMO PACK	
	BOX (pcs)	CARTON (pcs)
DO-41	5,000	45,000

Taping Specification For Axial Lead Diodes



DO-41	SYMBOL	A	B	Z	T	E	L1	L2
	(mm)	5.00 ± 0.50	52.40 ± 1.50	1.20 (max)	6.00 ± 0.40	0.80 (max)	1.00 (max)	1.00 (max)
	(inch)	0.197 ± 0.020	2.063 ± 0.590	0.047 (max)	0.236 ± 0.016	0.031 (max)	0.039 (max)	0.039 (max)

DO-41	SYMBOL	L	W	H				
	(mm)	255.0 ± 5.0	78.0 ± 5.0	95.0 ± 5.0				
	(inch)	10.04 ± 0.20	3.07 ± 0.20	3.74 ± 0.20				

Company reserves the right to improve product design , functions and reliability without notice.

REV:C

Mouser Electronics

Authorized Distributor

Click to View Pricing, Inventory, Delivery & Lifecycle Information:

[Comchip Technology:](#)

[UF4004-G](#)