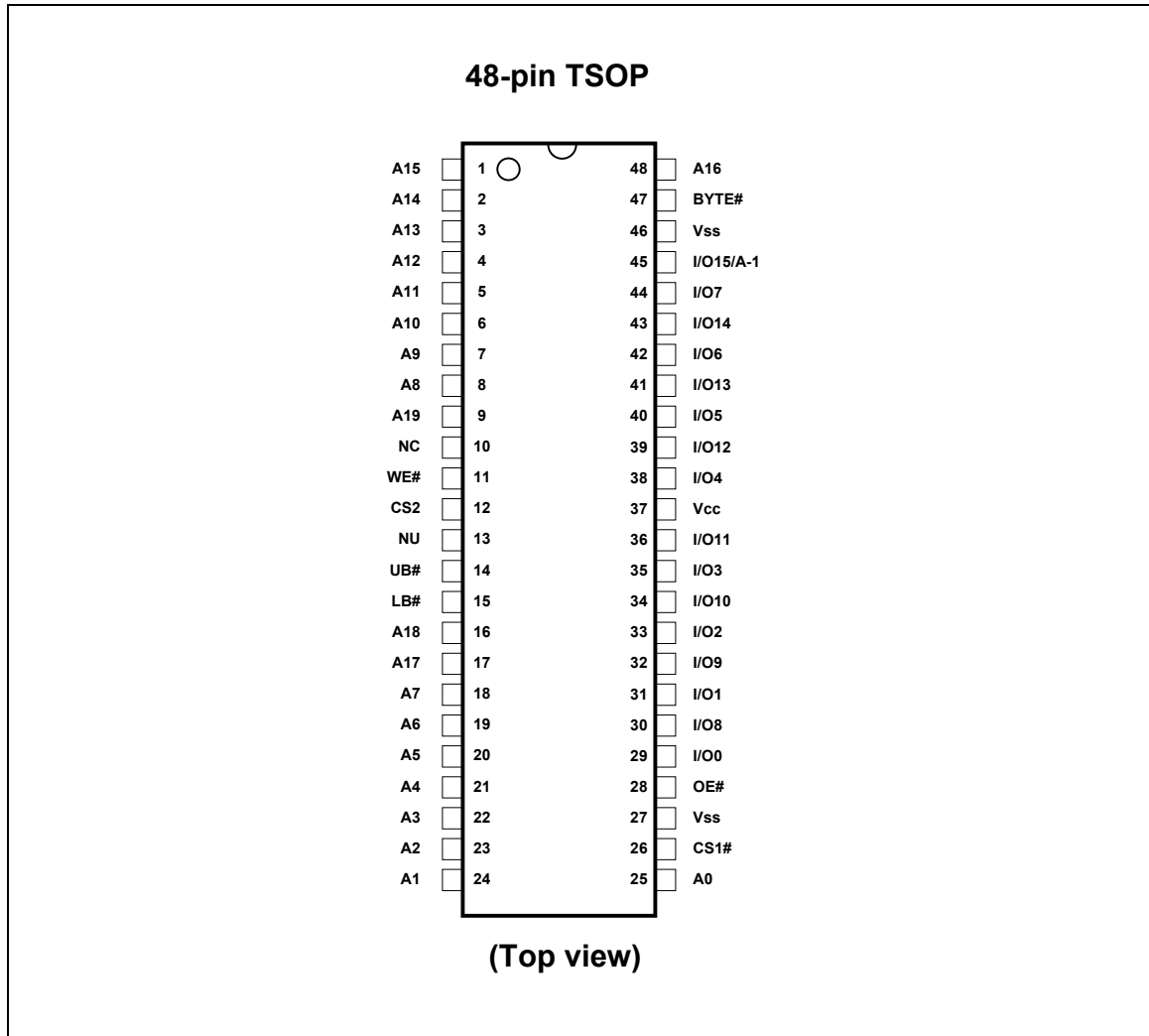


R1LV1616HSA-I Series

Ordering Information

Type No.	Access time	Package
R1LV1616HSA-4SI	45 ns	48-pin plastic TSOP1
R1LV1616HSA-5SI	55 ns	

Pin Arrangement

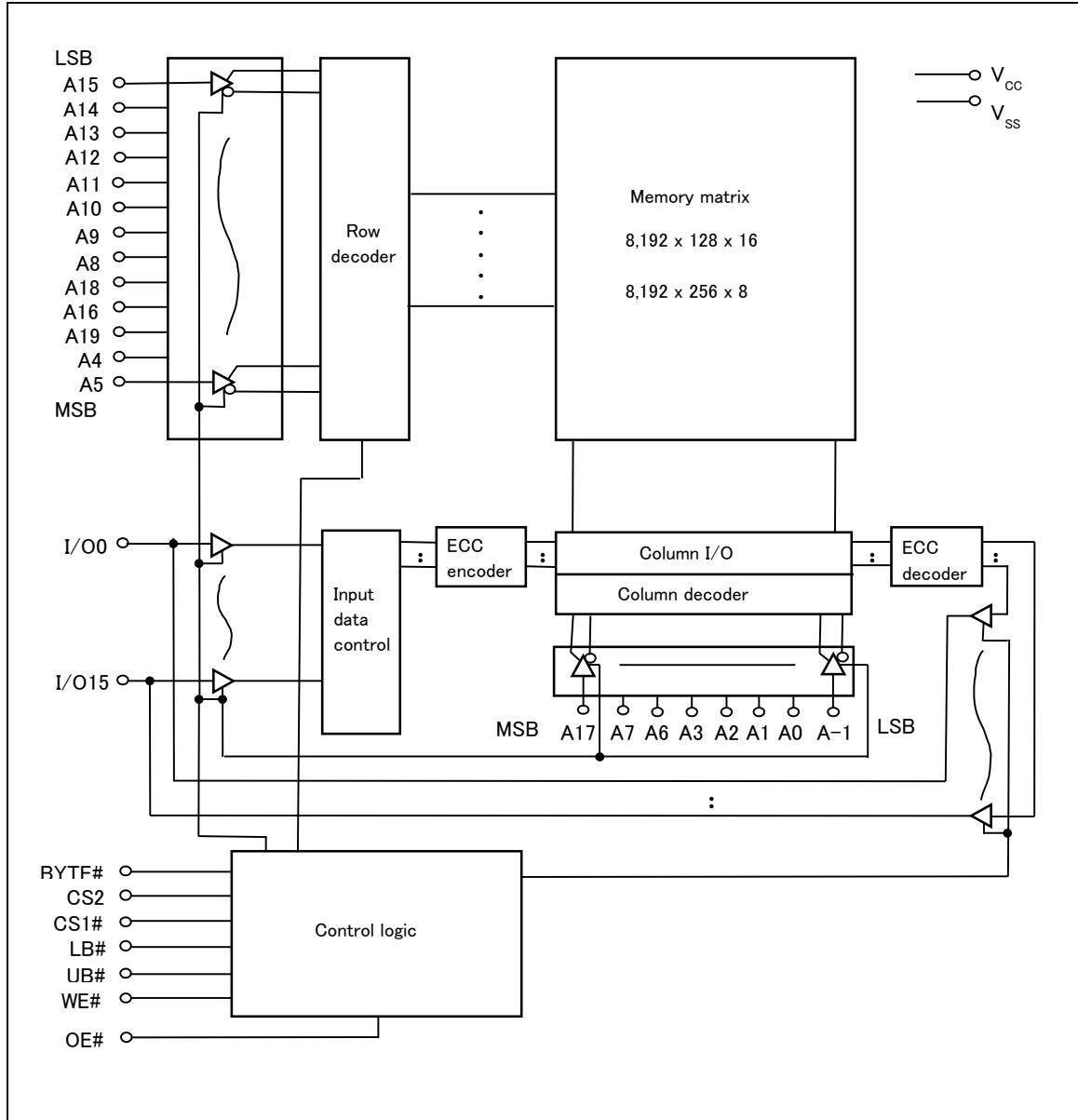


Pin Description (TSOP)

Pin name	Function
A0 to A19	Address input (word mode)
A-1 to A19	Address input (byte mode)
I/O0 to I/O15	Data input/output
CS1# ($\overline{\text{CS1}}$)	Chip select 1
CS2	Chip select 2
WE# ($\overline{\text{WE}}$)	Write enable
OE# ($\overline{\text{OE}}$)	Output enable
LB# ($\overline{\text{LB}}$)	Lower byte select
UB# ($\overline{\text{UB}}$)	Upper byte select
BYTE# ($\overline{\text{BYTE}}$)	Byte enable
V _{CC}	Power supply
V _{SS}	Ground
NC	No connection
NU*1	Not used (test mode pin)

Note: 1. This pin should be connected to a ground (V_{SS}), or not be connected (open).

Block Diagram (TSOP)



Operation Table (TSOP)

Byte mode

CS1#	CS2	WE#	OE#	UB#	LB#	BYTE#	I/O0 to I/O7	I/O8 to I/O14	I/O15	Operation
H	×	×	×	×	×	L	High-Z	High-Z	High-Z	Standby
×	L	×	×	×	×	L	High-Z	High-Z	High-Z	Standby
L	H	H	L	×	×	L	Dout	High-Z	A-1	Read
L	H	L	×	×	×	L	Din	High-Z	A-1	Write
L	H	H	H	×	×	L	High-Z	High-Z	High-Z	Output disable

Note: H: V_{IH}, L: V_{IL}, ×: V_{IH} or V_{IL}

Word mode

CS1#	CS2	WE#	OE#	UB#	LB#	BYTE#	I/O0 to I/O7	I/O8 to I/O14	I/O15	Operation
H	×	×	×	×	×	H	High-Z	High-Z	High-Z	Standby
×	L	×	×	×	×	H	High-Z	High-Z	High-Z	Standby
×	×	×	×	H	H	H	High-Z	High-Z	High-Z	Standby
L	H	H	L	L	L	H	Dout	Dout	Dout	Read
L	H	H	L	H	L	H	Dout	High-Z	High-Z	Lower byte read
L	H	H	L	L	H	H	High-Z	Dout	Dout	Upper byte read
L	H	L	×	L	L	H	Din	Din	Din	Write
L	H	L	×	H	L	H	Din	High-Z	High-Z	Lower byte write
L	H	L	×	L	H	H	High-Z	Din	Din	Upper byte write
L	H	H	H	×	×	H	High-Z	High-Z	High-Z	Output disable

Note: H: V_{IH}, L: V_{IL}, ×: V_{IH} or V_{IL}

Absolute Maximum Ratings

Parameter	Symbol	Value	Unit
Power supply voltage relative to V _{SS}	V _{CC}	-0.5 to +4.6	V
Terminal voltage on any pin relative to V _{SS}	V _T	-0.5* ¹ to V _{CC} + 0.3* ²	V
Power dissipation	P _T	1.0	W
Storage temperature range	T _{stg}	-55 to +125	°C
Storage temperature range under bias	T _{bias}	-40 to +85	°C

Notes: 1. V_T min: -2.0 V for pulse half-width ≤ 10 ns.
2. Maximum voltage is +4.6 V.

DC Operating Conditions

Parameter	Symbol	Min	Typ	Max	Unit	Note
Supply voltage	V _{CC}	2.7	3.0	3.6	V	
	V _{SS}	0	0	0	V	
Input high voltage	V _{IH}	2.2	—	V _{CC} + 0.3	V	
Input low voltage	V _{IL}	-0.3	—	0.6	V	1
Ambient temperature range	T _a	-40	—	+85	°C	

Note: 1. V_{IL} min: -2.0 V for pulse half-width ≤ 10 ns.

DC Characteristics

Parameter	Symbol	Min	Typ	Max	Unit	Test conditions*2
Input leakage current	$ I_{LI} $	—	—	1	μA	$V_{in} = V_{SS} \text{ to } V_{CC}$
Output leakage current	$ I_{LO} $	—	—	1	μA	CS1# = V_{IH} or CS2 = V_{IL} or OE# = V_{IH} or WE# = V_{IL} or LB# = UB# = V_{IH} , $V_{I/O} = V_{SS} \text{ to } V_{CC}$
Operating current	I_{CC}	—	—	20	mA	CS1# = V_{IL} , CS2 = V_{IH} , Others = V_{IH}/V_{IL} , $I_{I/O} = 0 \text{ mA}$
Average operating current	I_{CC1} (READ)	—	22*1	35	mA	Min. cycle, duty = 100%, $I_{I/O} = 0 \text{ mA}$, CS1# = V_{IL} , CS2 = V_{IH} , WE# = V_{IH} , Others = V_{IH}/V_{IL}
	I_{CC1}	—	30*1	50	mA	Min. cycle, duty = 100%, $I_{I/O} = 0 \text{ mA}$, CS1# = V_{IL} , CS2 = V_{IH} , Others = V_{IH}/V_{IL}
	I_{CC2}^{*3} (READ)	—	3*1	8	mA	Cycle time = 70 ns, duty = 100%, $I_{I/O} = 0 \text{ mA}$, CS1# = V_{IL} , CS2 = V_{IH} , WE# = V_{IH} , Others = V_{IH}/V_{IL} Address increment scan or decrement scan
	I_{CC2}^{*3}	—	20*1	30	mA	Cycle time = 70 ns, duty = 100%, $I_{I/O} = 0 \text{ mA}$, CS1# = V_{IL} , CS2 = V_{IH} , Others = V_{IH}/V_{IL} Address increment scan or decrement scan
	I_{CC3}	—	3*1	8	mA	Cycle time = 1 μs , duty = 100%, $I_{I/O} = 0 \text{ mA}$, CS1# $\leq 0.2 \text{ V}$, CS2 $\geq V_{CC} - 0.2 \text{ V}$ $V_{IH} \geq V_{CC} - 0.2 \text{ V}$, $V_{IL} \leq 0.2 \text{ V}$
Standby current	I_{SB}	—	0.1*1	0.5	mA	CS2 = V_{IL}
Standby current	I_{SB1}	—	0.5*1	8	μA	$0 \text{ V} \leq V_{in}$ (1) $0 \text{ V} \leq \text{CS2} \leq 0.2 \text{ V}$ or (2) CS1# $\geq V_{CC} - 0.2 \text{ V}$, CS2 $\geq V_{CC} - 0.2 \text{ V}$ or (3) LB# = UB# $\geq V_{CC} - 0.2 \text{ V}$, CS2 $\geq V_{CC} - 0.2 \text{ V}$, CS1# $\leq 0.2 \text{ V}$ Average value
Output high voltage	V_{OH}	2.4	—	—	V	$I_{OH} = -1 \text{ mA}$
	V_{OH}	$V_{CC} - 0.2$	—	—	V	$I_{OH} = -100 \mu\text{A}$
Output low voltage	V_{OL}	—	—	0.4	V	$I_{OL} = 2 \text{ mA}$
	V_{OL}	—	—	0.2	V	$I_{OL} = 100 \mu\text{A}$

R1LV1616HSA-I Series

- Notes: 1. Typical values are at $V_{CC} = 3.0\text{ V}$, $T_a = +25^\circ\text{C}$ and not guaranteed.
2. $\text{BYTE\#} \geq V_{CC} - 0.2\text{ V}$ or $\text{BYTE\#} \leq 0.2\text{ V}$
3. I_{CC2} is the value measured while the valid address is increasing or decreasing by one bit.
Word mode: LSB (least significant bit) is A0.
Byte mode: LSB (least significant bit) is A-1.

Capacitance

($T_a = +25^\circ\text{C}$, $f = 1.0\text{ MHz}$)

Parameter	Symbol	Min	Typ	Max	Unit	Test conditions	Note
Input capacitance	C_{in}	—	—	8	pF	$V_{in} = 0\text{ V}$	1
Input/output capacitance	$C_{I/O}$	—	—	10	pF	$V_{I/O} = 0\text{ V}$	1

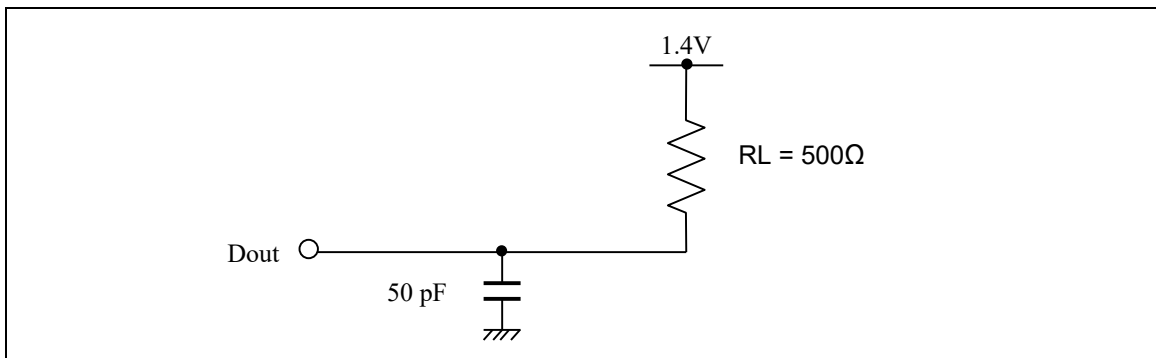
Note: 1. This parameter is sampled and not 100% tested.

AC Characteristics

($T_a = -40$ to $+85^\circ\text{C}$, $V_{CC} = 2.7$ V to 3.6 V, unless otherwise noted.)

Test Conditions

- Input pulse levels: $V_{IL} = 0.4$ V, $V_{IH} = 2.4$ V
- Input rise and fall time: 5 ns
- Input and output timing reference levels: 1.4 V
- Output load: See figures (Including scope and jig)



R1LV1616HSA-I Series

Read Cycle

Parameter	Symbol	R1LV1616HSA-I				Unit	Notes
		-4SI		-5SI			
		Min	Max	Min	Max		
Read cycle time	t _{RC}	45	—	55	—	ns	
Address access time	t _{AA}	—	45	—	55	ns	
Chip select access time	t _{ACS1}	—	45	—	55	ns	
	t _{ACS2}	—	45	—	55	ns	
Output enable to output valid	t _{OE}	—	30	—	35	ns	
Output hold from address change	t _{OH}	10	—	10	—	ns	
LB#, UB# access time	t _{BA}	—	45	—	55	ns	
Chip select to output in low-Z	t _{CLZ1}	10	—	10	—	ns	2, 3
	t _{CLZ2}	10	—	10	—	ns	2, 3
LB#, UB# enable to low-Z	t _{BLZ}	5	—	5	—	ns	2, 3
Output enable to output in low-Z	t _{OLZ}	5	—	5	—	ns	2, 3
Chip deselect to output in high-Z	t _{CHZ1}	0	20	0	20	ns	1, 2, 3
	t _{CHZ2}	0	20	0	20	ns	1, 2, 3
LB#, UB# disable to high-Z	t _{BHZ}	0	15	0	20	ns	1, 2, 3
Output disable to output in high-Z	t _{OHZ}	0	15	0	20	ns	1, 2, 3

Write Cycle

Parameter	Symbol	R1LV1616HSA-I				Unit	Notes
		-4SI		-5SI			
		Min	Max	Min	Max		
Write cycle time	t _{WC}	45	—	55	—	ns	
Address valid to end of write	t _{AW}	45	—	50	—	ns	
Chip selection to end of write	t _{CW}	45	—	50	—	ns	5
Write pulse width	t _{WP}	35	—	40	—	ns	4
LB#, UB# valid to end of write	t _{BW}	45	—	50	—	ns	
Address setup time	t _{AS}	0	—	0	—	ns	6
Write recovery time	t _{WR}	0	—	0	—	ns	7
Data to write time overlap	t _{DW}	25	—	25	—	ns	
Data hold from write time	t _{DH}	0	—	0	—	ns	
Output active from end of write	t _{OW}	5	—	5	—	ns	2
Output disable to output in high-Z	t _{OHZ}	0	15	0	20	ns	1, 2
Write to output in high-Z	t _{WHZ}	0	15	0	20	ns	1, 2

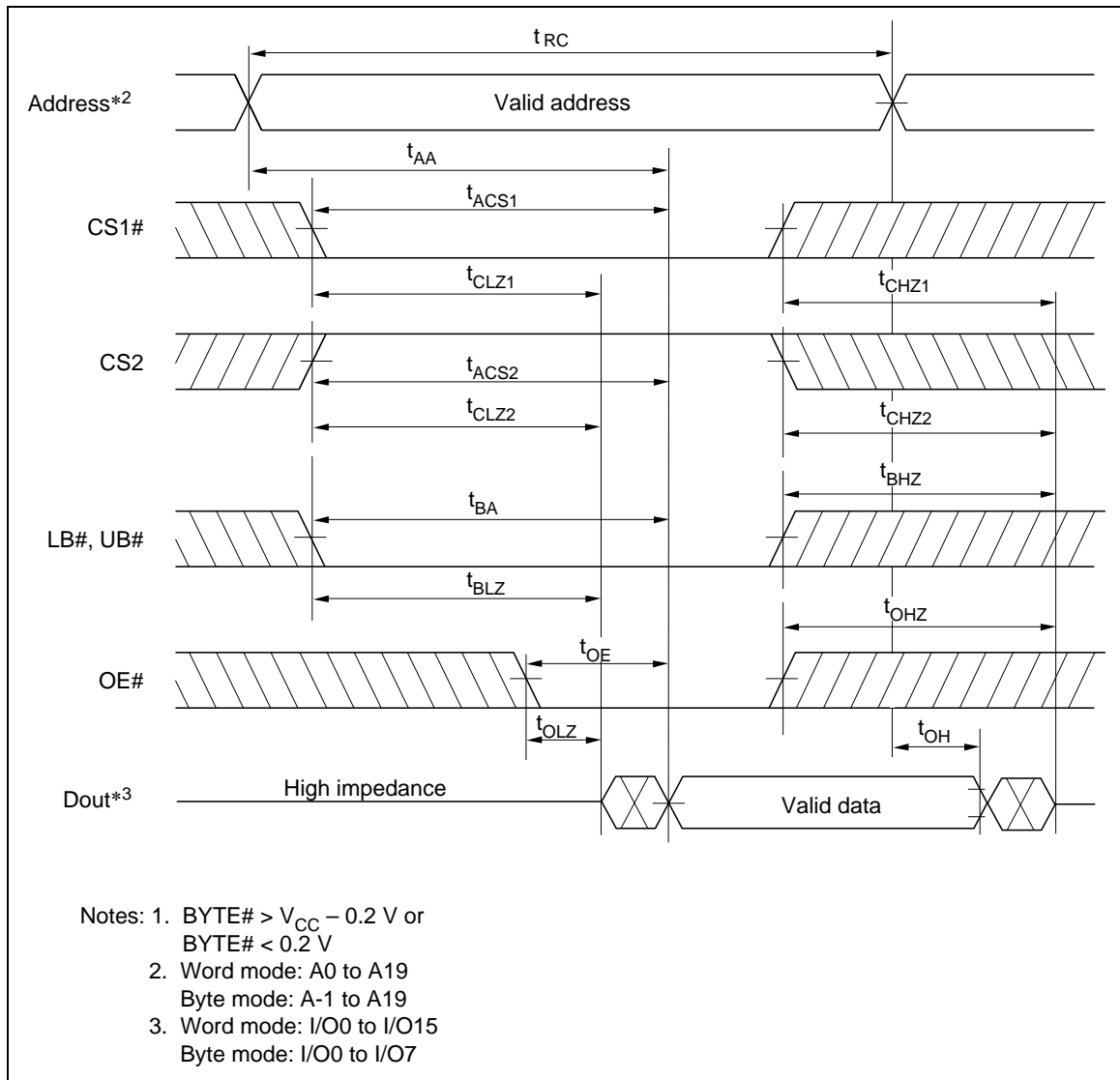
Byte Control

Parameter	Symbol	R1LV1616HSA-I				Unit	Notes
		-4SI		-5SI			
		Min	Max	Min	Max		
BYTE# setup time	t _{BS}	5	—	5	—	ms	
BYTE# recovery time	t _{BR}	5	—	5	—	ms	

- Notes:
1. t_{CHZ}, t_{OHZ}, t_{WHZ} and t_{BHZ} are defined as the time at which the outputs achieve the open circuit conditions and are not referred to output voltage levels.
 2. This parameter is sampled and not 100% tested.
 3. At any given temperature and voltage condition, t_{HZ} max is less than t_{LZ} min both for a given device and from device to device.
 4. A write occurs during the overlap of a low CS1#, a high CS2, a low WE# and a low LB# or a low UB#. A write begins at the latest transition among CS1# going low, CS2 going high, WE# going low and LB# going low or UB# going low. A write ends at the earliest transition among CS1# going high, CS2 going low, WE# going high and LB# going high or UB# going high. t_{WP} is measured from the beginning of write to the end of write.
 5. t_{CW} is measured from the later of CS1# going low or CS2 going high to the end of write.
 6. t_{AS} is measured from the address valid to the beginning of write.
 7. t_{WR} is measured from the earliest of CS1# or WE# going high or CS2 going low to the end of write cycle.

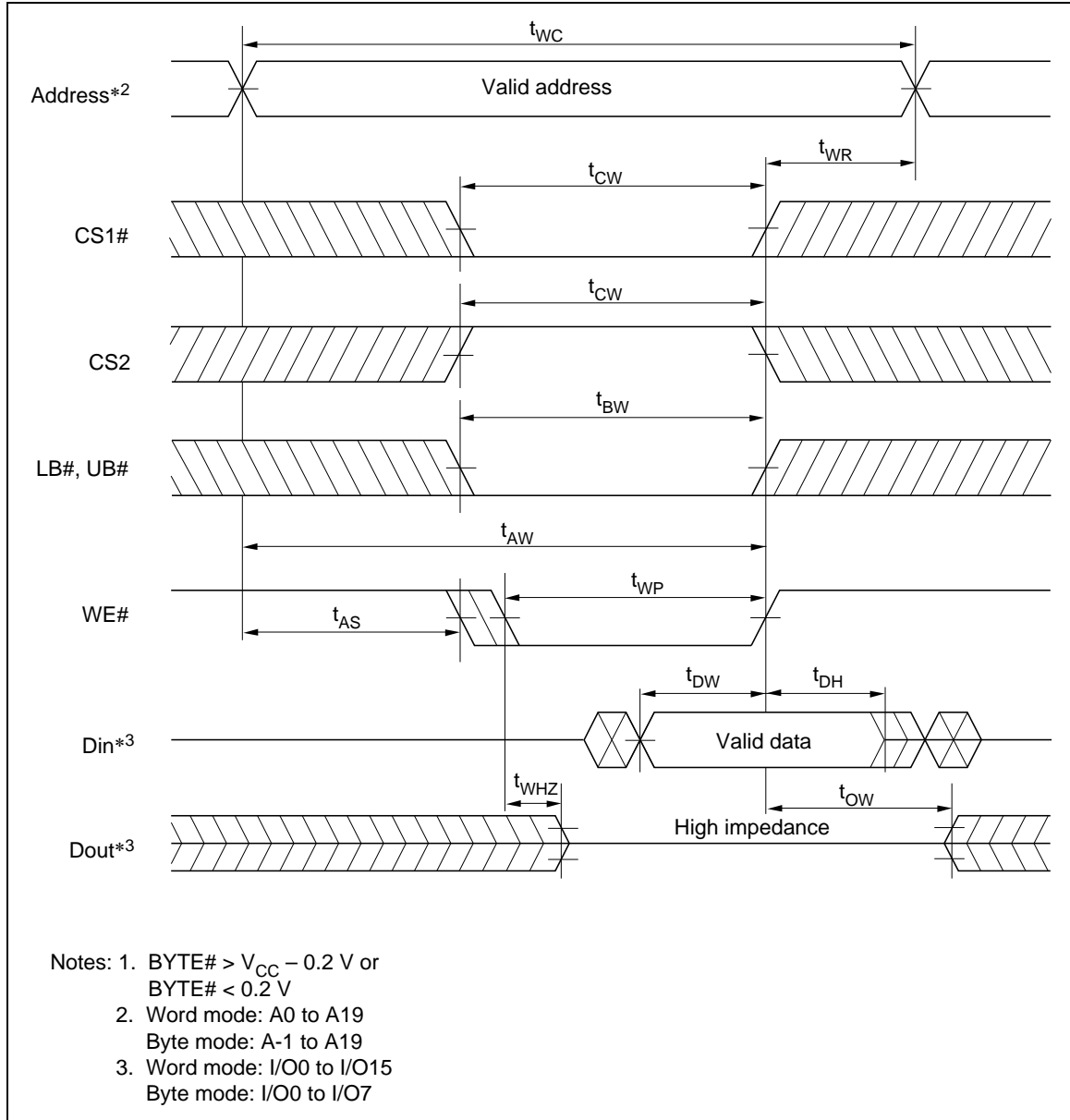
Timing Waveform

Read Cycle*1



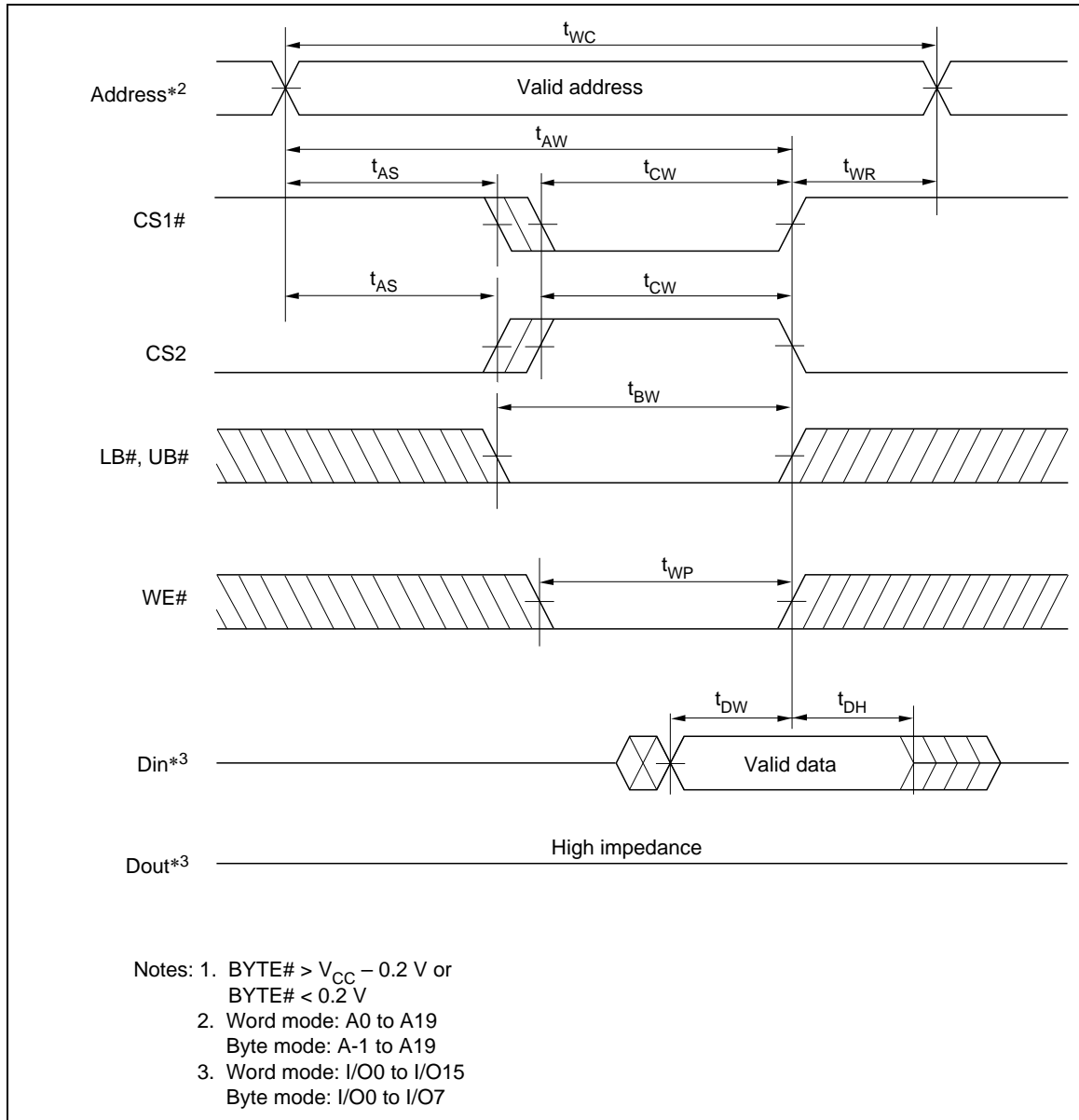
R1LV1616HSA-I Series

Write Cycle (1)*1 (WE# Clock)



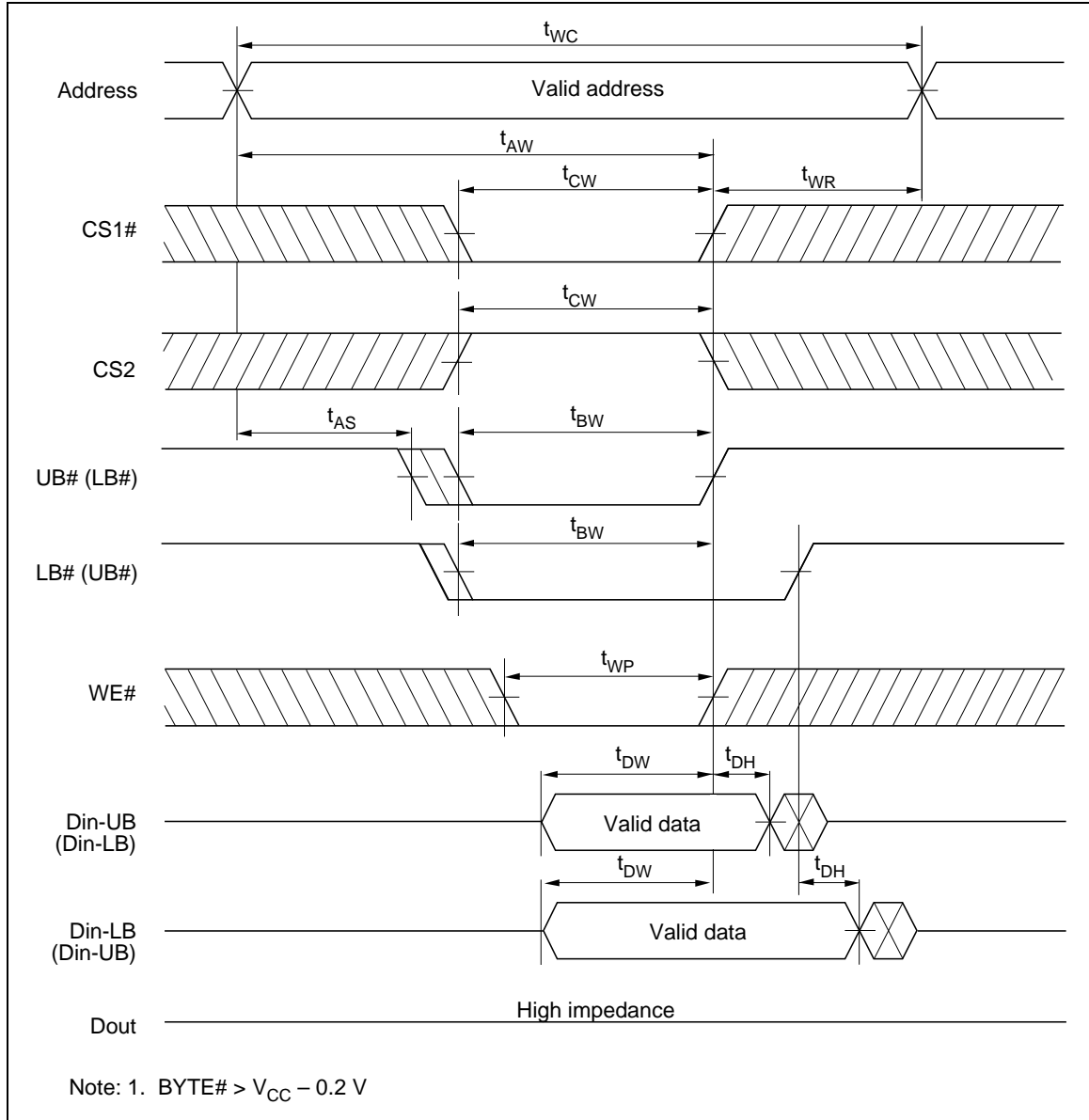
R1LV1616HSA-I Series

Write Cycle (2)*¹ (CS1#, CS2 Clock, OE# = V_{IH})



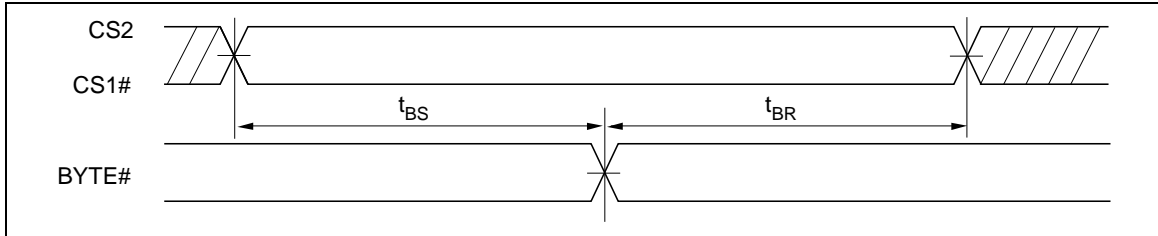
R1LV1616HSA-I Series

Write Cycle (3)*¹ (LB#, UB# Clock, OE# = V_{IH})



R1LV1616HSA-I Series

Byte Control (TSOP)



Low V_{CC} Data Retention Characteristics

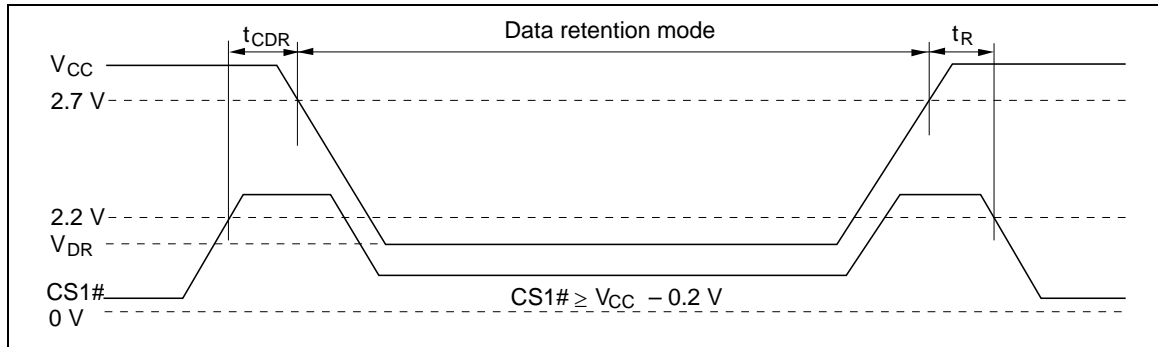
(Ta = -40 to +85°C)

Parameter	Symbol	Min	Typ	Max	Unit	Test conditions*2, 3
V_{CC} for data retention	V_{DR}	1.5	—	3.6	V	$V_{in} \geq 0$ V (1) 0 V \leq CS2 \leq 0.2 V or (2) CS2 \geq $V_{CC} - 0.2$ V, CS1# \geq $V_{CC} - 0.2$ V or (3) LB# = UB# \geq $V_{CC} - 0.2$ V, CS2 \geq $V_{CC} - 0.2$ V, CS1# \leq 0.2 V
Data retention current	I_{CCDR}	—	0.5*1	8	μ A	$V_{CC} = 3.0$ V, $V_{in} \geq 0$ V (1) 0 V \leq CS2 \leq 0.2 V or (2) CS2 \geq $V_{CC} - 0.2$ V, CS1# \geq $V_{CC} - 0.2$ V or (3) LB# = UB# \geq $V_{CC} - 0.2$ V, CS2 \geq $V_{CC} - 0.2$ V, CS1# \leq 0.2 V Average value
Chip deselect to data retention time	t_{CDR}	0	—	—	ns	See retention waveforms
Operation recovery time	t_R	5	—	—	ms	

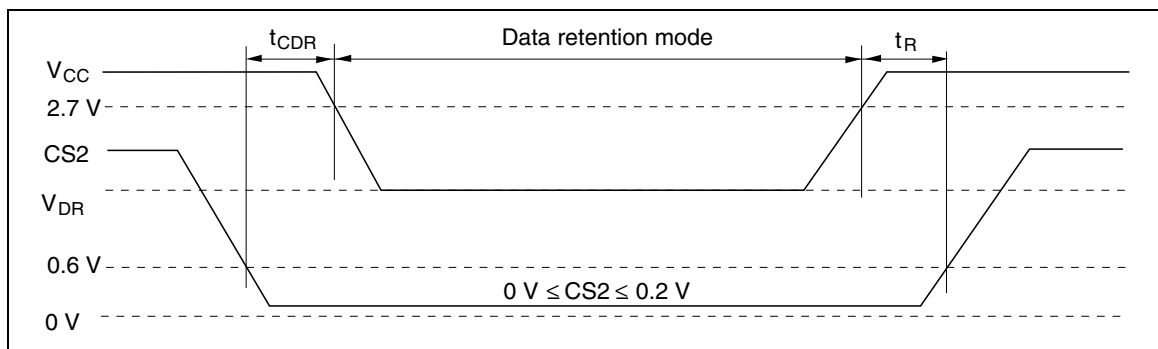
Notes: 1. Typical values are at $V_{CC} = 3.0$ V, Ta = +25°C and not guaranteed.2. BYTE# \geq $V_{CC} - 0.2$ V or BYTE# \leq 0.2 V3. CS2 controls address buffer, WE# buffer, CS1# buffer, OE# buffer, LB#, UB# buffer and Din buffer. If CS2 controls data retention mode, Vin levels (address, WE#, OE#, CS1#, LB#, UB#, I/O) can be in the high impedance state. If CS1# controls data retention mode, CS2 must be CS2 \geq $V_{CC} - 0.2$ V or 0 V \leq CS2 \leq 0.2 V. The other input levels (address, WE#, OE#, LB#, UB#, I/O) can be in the high impedance state.

R1LV1616HSA-I Series

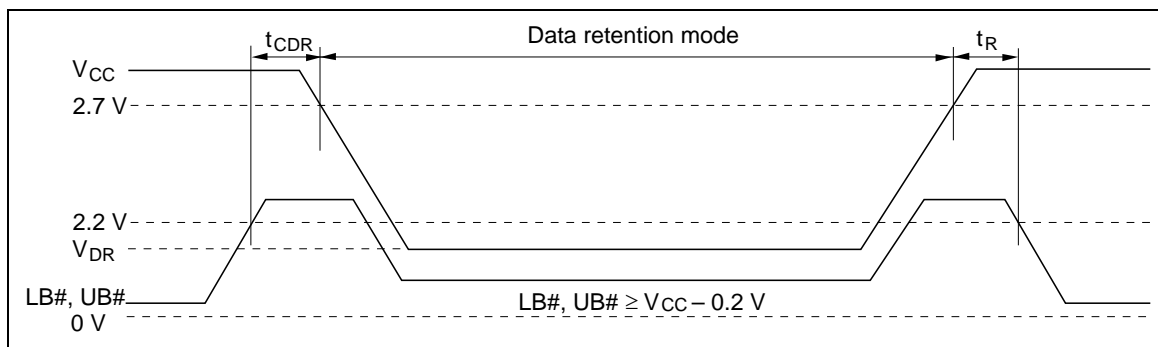
Low V_{CC} Data Retention Timing Waveform (1) (CS1# Controlled)



Low V_{CC} Data Retention Timing Waveform (2) (CS2 Controlled)



Low V_{CC} Data Retention Timing Waveform (3) (LB#, UB# Controlled)



Revision History

R1LV1616HSA-I Series Data Sheet

Rev.	Date	Contents of Modification	
		Page	Description
1.00	Apr.22.2004	—	Initial issue
1.01	Nov.18.2004	—	Addition of 2-Mword x 8-bit function
1.02	Feb.23.2017	p.1,p.5	Disclosed embedded ECC features
		p.2	Deleted previous package code (48P3R-B)
1.03	Feb.20.2020	Last page	Updated the Notice to the latest version

IMPORTANT NOTICE AND DISCLAIMER

RENESAS ELECTRONICS CORPORATION AND ITS SUBSIDIARIES (“RENESAS”) PROVIDES TECHNICAL SPECIFICATIONS AND RELIABILITY DATA (INCLUDING DATASHEETS), DESIGN RESOURCES (INCLUDING REFERENCE DESIGNS), APPLICATION OR OTHER DESIGN ADVICE, WEB TOOLS, SAFETY INFORMATION, AND OTHER RESOURCES “AS IS” AND WITH ALL FAULTS, AND DISCLAIMS ALL WARRANTIES, EXPRESS OR IMPLIED, INCLUDING, WITHOUT LIMITATION, ANY IMPLIED WARRANTIES OF MERCHANTABILITY, FITNESS FOR A PARTICULAR PURPOSE, OR NON-INFRINGEMENT OF THIRD PARTY INTELLECTUAL PROPERTY RIGHTS.

These resources are intended for developers skilled in the art designing with Renesas products. You are solely responsible for (1) selecting the appropriate products for your application, (2) designing, validating, and testing your application, and (3) ensuring your application meets applicable standards, and any other safety, security, or other requirements. These resources are subject to change without notice. Renesas grants you permission to use these resources only for development of an application that uses Renesas products. Other reproduction or use of these resources is strictly prohibited. No license is granted to any other Renesas intellectual property or to any third party intellectual property. Renesas disclaims responsibility for, and you will fully indemnify Renesas and its representatives against, any claims, damages, costs, losses, or liabilities arising out of your use of these resources. Renesas' products are provided only subject to Renesas' Terms and Conditions of Sale or other applicable terms agreed to in writing. No use of any Renesas resources expands or otherwise alters any applicable warranties or warranty disclaimers for these products.

(Rev.1.0 Mar 2020)

Corporate Headquarters

TOYOSU FORESIA, 3-2-24 Toyosu,
Koto-ku, Tokyo 135-0061, Japan
www.renesas.com

Contact Information

For further information on a product, technology, the most up-to-date version of a document, or your nearest sales office, please visit:
www.renesas.com/contact/

Trademarks

Renesas and the Renesas logo are trademarks of Renesas Electronics Corporation. All trademarks and registered trademarks are the property of their respective owners.

Mouser Electronics

Authorized Distributor

Click to View Pricing, Inventory, Delivery & Lifecycle Information:

[Renesas Electronics:](#)

[R1LV1616HSA-4SI#B1](#) [R1LV1616HSA-4SI#S1](#) [R1LV1616HSA-5SI#B1](#) [R1LV1616HSA-5SI#S1](#)