

# VSC7513

## 8-Port L2 Gigabit Ethernet Switch

### Features

- Main configuration: Four dual media copper/SGMII ports
- Integrated 500 MHz MIPS 24KEc CPU with MMU and DDR3/DDR3L SDRAM controller
- PCIe 1.x, and NPI CPU interface
- Internal shared memory buffer (8 queues per port)
- Jumbo frame support
- Strict priority and DWRR scheduler/shaper

### Layer 2 Switching

- 802.1Q VLAN switch with 4K MACs and 4K VLANs
- Push/pop/translate up to three VLAN tags on ingress and egress
- Policing with storm control and MC/BC protection
- RSTP and MSTP support
- Independent and shared VLAN learning (iVL, sVL)
- Hardware-based and software-based learning
- TCAM-based classification and VCAP-II security

### Multicast

- Layer 2
- IGMP and MLD Snooping

### Industrial Ethernet

- Integrated timing: VeriTime™ (1588v2) and SyncE support
- Ethernet ring protection switching (ERPS)

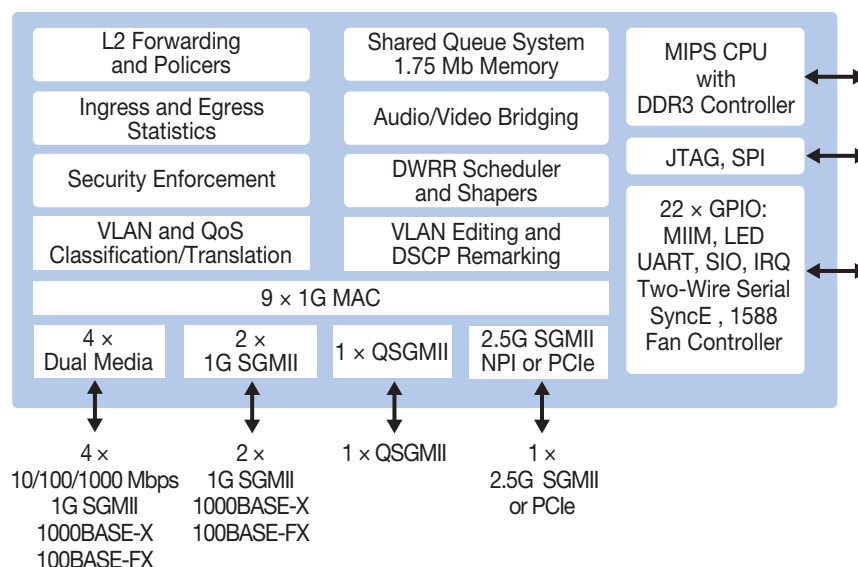
### Key Specifications

- 17 mm × 17 mm CABGA package
- -40 °C to 125 °C temperature range

### Related Products

Visit [www.microsemi.com](http://www.microsemi.com) for information about these related products:

- SparX-IV GbE switches
- VSC8514 copper PHYs
- Unified API, WebStaX, SMBStaX, and IStaX software



# Mouser Electronics

Authorized Distributor

Click to View Pricing, Inventory, Delivery & Lifecycle Information:

[Microchip:](#)

[VSC7513XKS](#)