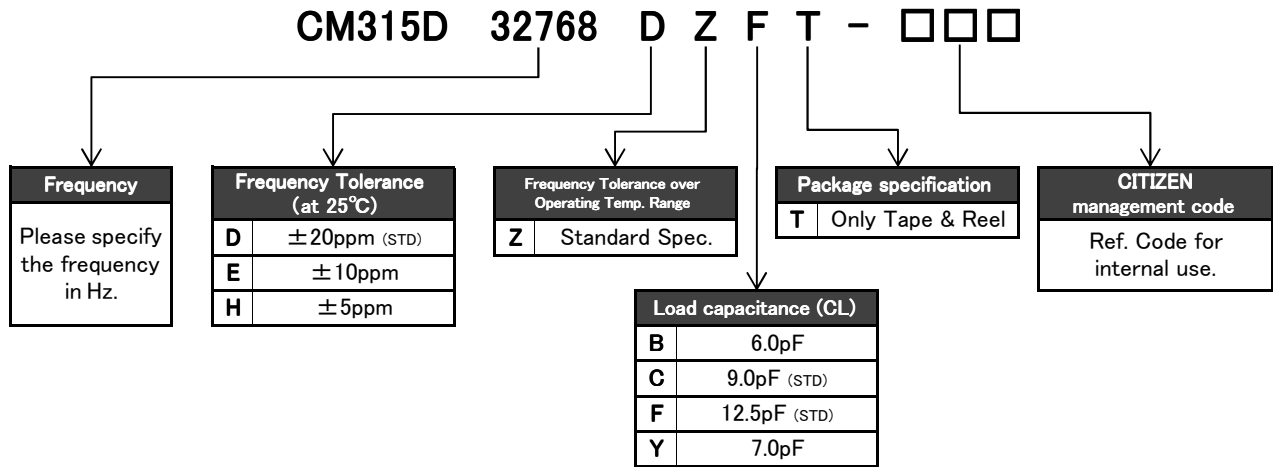


■ PART NUMBERING SYSTEM



*Please contact us for specifications available.

■ Part Marking [standard]



y : The last digit of production year

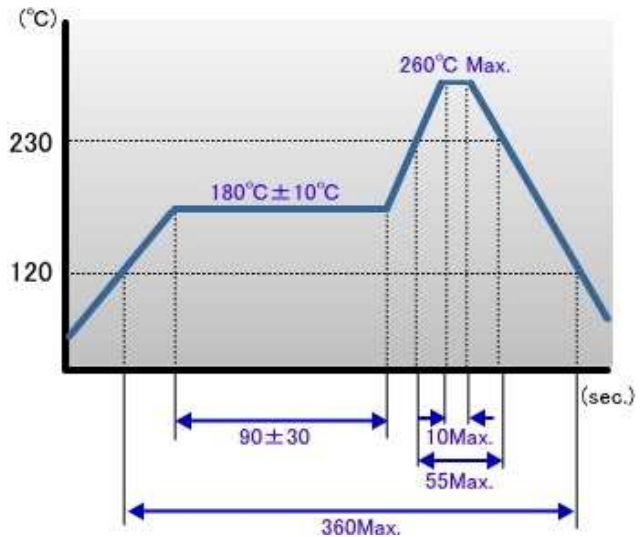
m : Production month (See Table.1)

: Production Lot No.

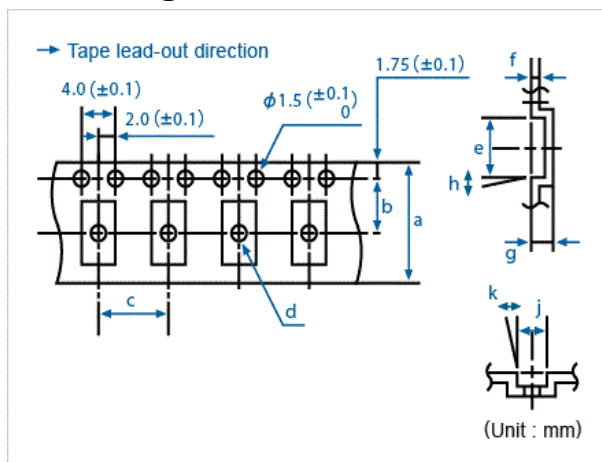
Table.1

Month	Jan	Feb	...	Sep	Oct	Nov	Dec
Code	1	2	...	9	X	Y	Z

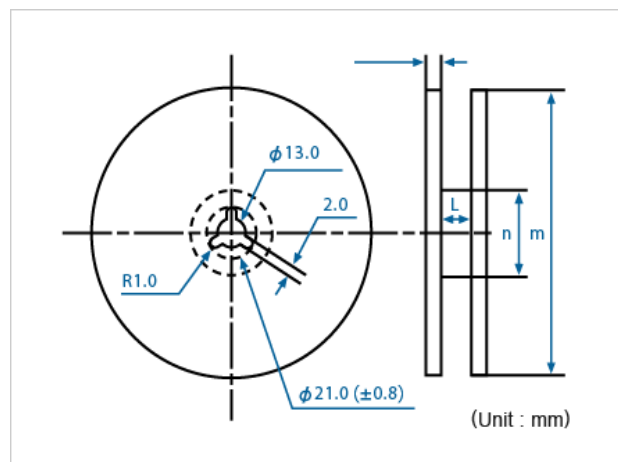
■ Reflow profile



■ Packing



Conforming to JIS C 0806 TB1208NEIAJ and RC-1009B TE1208N



Conforming to JIS C 0806 R12R and EIAJ RC-1009B R15

Q'ty/reel	a	b	c	d (φ)	e	f	g	h	j	k	l	m (φ)	n (φ)
3,000	12.0	5.5	4.0	1.0	3.6	0.3	1.0	5°	1.9	5°	13.0	180	60

Product specifications are subject to change without notice.

Rev.2

Mouser Electronics

Authorized Distributor

Click to View Pricing, Inventory, Delivery & Lifecycle Information:

Citizen:

[CM315D-32.768KEZF-UT](#) [CM315D-32.768KDZC-UT](#) [CM315D-32.768KDZY-UT](#) [CM315D-32.768KDZF-UT](#)
[CM315D32768DZFT](#) [CM315D32768DZYT](#) [CM315D32768DZCT](#) [CM315D32768EZFT](#)