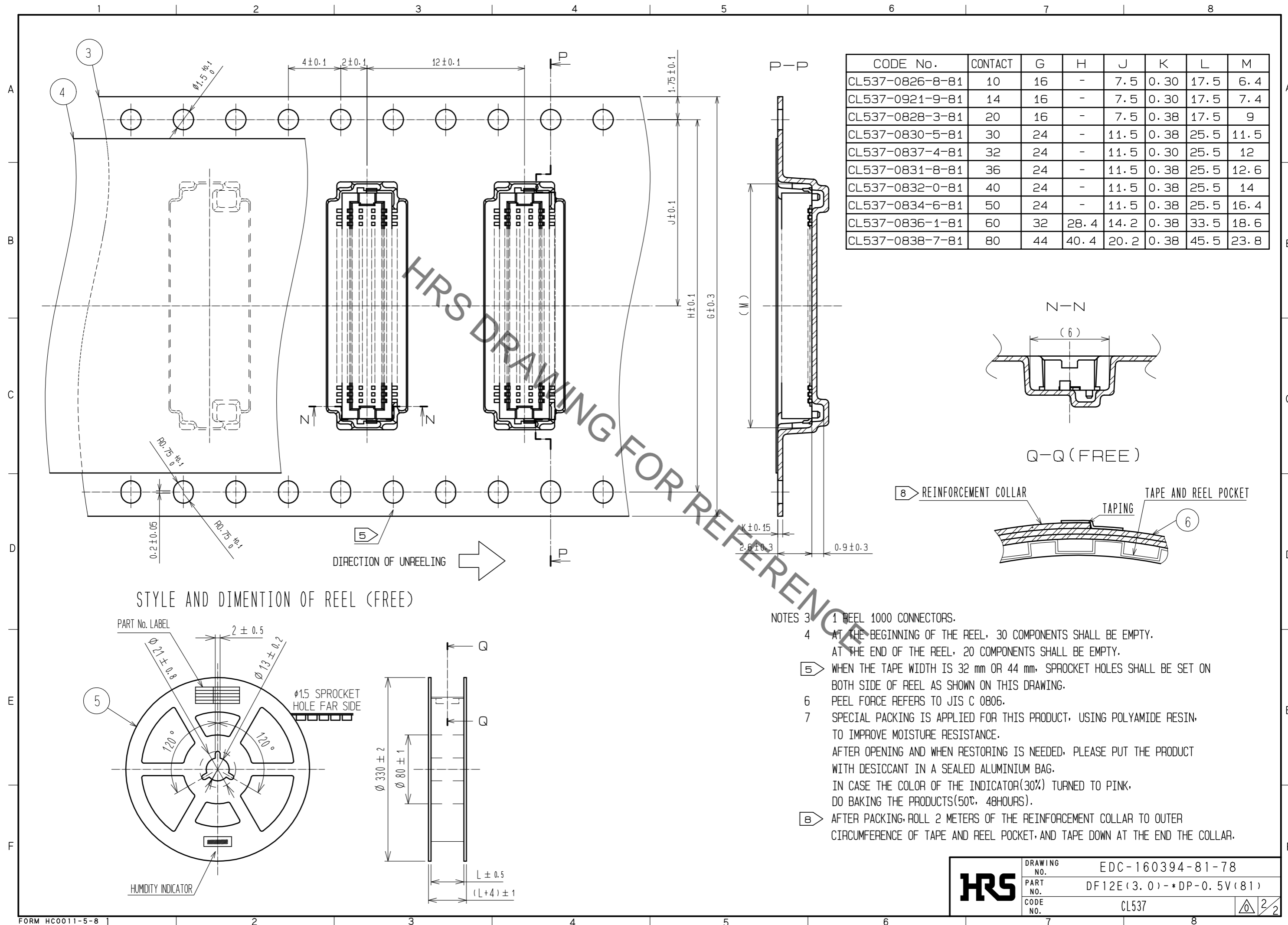
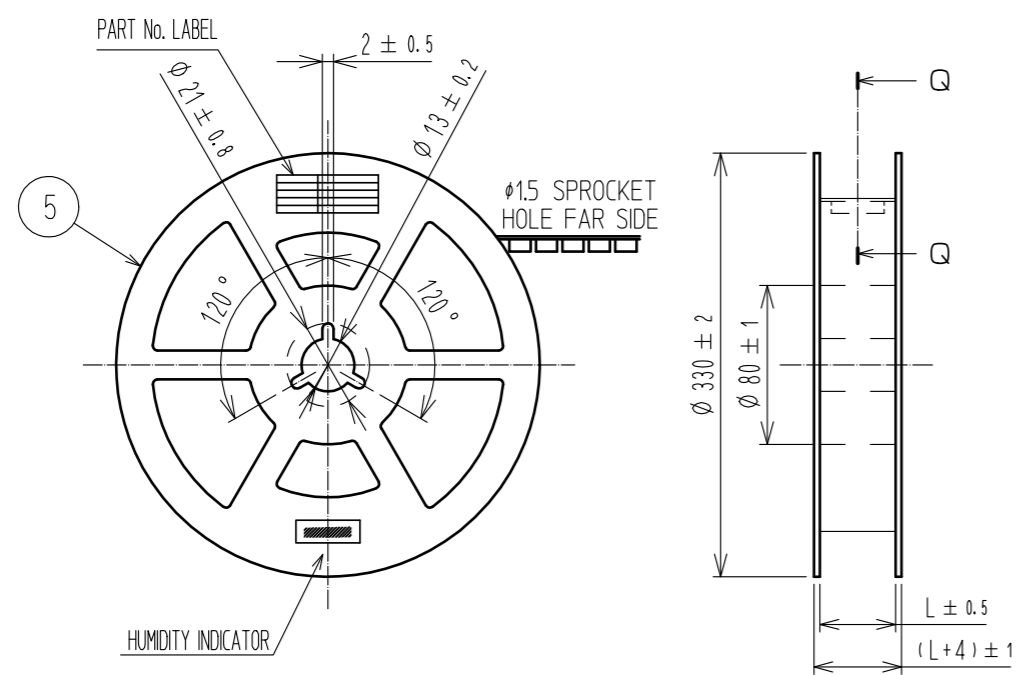


Aug.1.2020 Copyright 2020 HIROSE ELECTRIC CO., LTD. All Rights Reserved.  
In case of consideration for using Automotive equipment / device which demand high reliability, kindly contact our sales window correspondents.



CODE No.	CONTACT	G	H	J	K	L	M
CL537-0826-8-81	10	16	-	7.5	0.30	17.5	6.4
CL537-0921-9-81	14	16	-	7.5	0.30	17.5	7.4
CL537-0828-3-81	20	16	-	7.5	0.38	17.5	9
CL537-0830-5-81	30	24	-	11.5	0.38	25.5	11.5
CL537-0837-4-81	32	24	-	11.5	0.30	25.5	12
CL537-0831-8-81	36	24	-	11.5	0.38	25.5	12.6
CL537-0832-0-81	40	24	-	11.5	0.38	25.5	14
CL537-0834-6-81	50	24	-	11.5	0.38	25.5	16.4
CL537-0836-1-81	60	32	28.4	14.2	0.38	33.5	18.6
CL537-0838-7-81	80	44	40.4	20.2	0.38	45.5	23.8

STYLE AND DIMENTION OF REEL (FREE)



- NOTES
- 1 REEL 1000 CONNECTORS.
  - 4 AT THE BEGINNING OF THE REEL, 30 COMPONENTS SHALL BE EMPTY. AT THE END OF THE REEL, 20 COMPONENTS SHALL BE EMPTY.
  - 5 WHEN THE TAPE WIDTH IS 32 mm OR 44 mm, SPROCKET HOLES SHALL BE SET ON BOTH SIDE OF REEL AS SHOWN ON THIS DRAWING.
  - 6 PEEL FORCE REFERS TO JIS C 0806.
  - 7 SPECIAL PACKING IS APPLIED FOR THIS PRODUCT, USING POLYAMIDE RESIN, TO IMPROVE MOISTURE RESISTANCE. AFTER OPENING AND WHEN RESTORING IS NEEDED, PLEASE PUT THE PRODUCT WITH DESICCANT IN A SEALED ALUMINIUM BAG. IN CASE THE COLOR OF THE INDICATOR(30%) TURNED TO PINK, DO BAKING THE PRODUCTS(50°C, 48HOURS).
  - 8 AFTER PACKING, ROLL 2 METERS OF THE REINFORCEMENT COLLAR TO OUTER CIRCUMFERENCE OF TAPE AND REEL POCKET, AND TAPE DOWN AT THE END THE COLLAR.

<b>HRS</b>	DRAWING NO.	EDC-160394-81-78
	PART NO.	DF12E(3.0)-*DP-0.5V(81)
	CODE NO.	CL537

# Mouser Electronics

Authorized Distributor

Click to View Pricing, Inventory, Delivery & Lifecycle Information:

[Hirose Electric:](#)

[DF12E\(3.0\)-14DP-0.5V\(81\)](#)