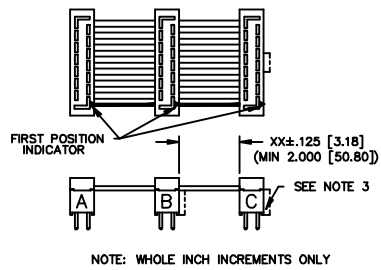
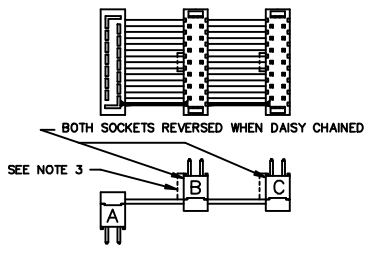


REV. T -D"XX"
DAISY CHAIN-DOUBLE (SEE NOTE 1.)



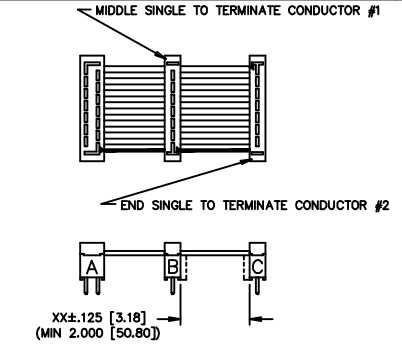
-R
REVERSED CONNECTOR (SEE NOTE 1.)



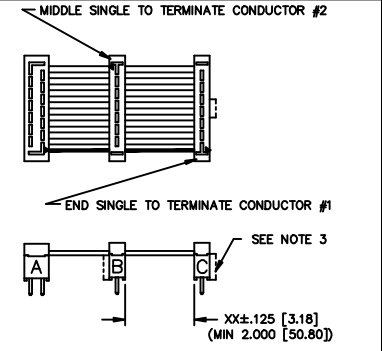
DIMENSIONS ARE IN INCHES		UNLESS OTHERWISE NOTED		TOLERANCES ARE:	
ONE PLACE DECIMALS ± .1	TWO PLACE DECIMALS ± .01	THREE PLACE DECIMALS ± .005	FOUR PLACE DECIMALS ± .0020	ANGLES ± 1'	

TITLE: 100 C.L. MOLD TO POS.
DOUBLE ROW, MALE
ASSEMBLY
DWG NO: HMD-XX-X-XX-XX-XX-XX
SHEET 2 OF 2

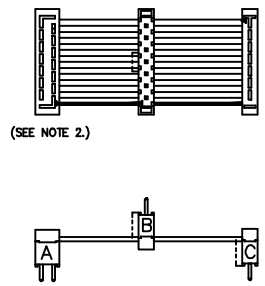
-W"XX"
WIRING REVERSED (SEE NOTE 2.)



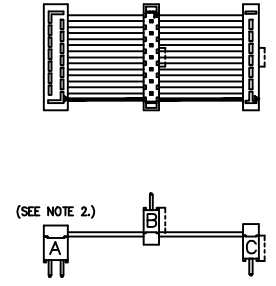
-S"XX"
DAISY CHAIN-SINGLE (SEE NOTE 2.)



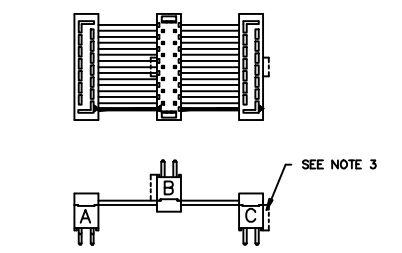
-W"XX"-M
MIDDLE REVERSED



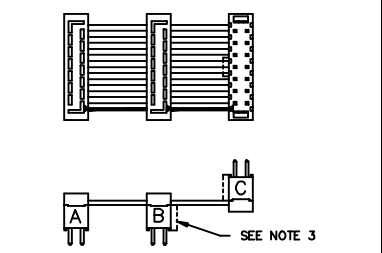
-S"XX"-M
MIDDLE REVERSED



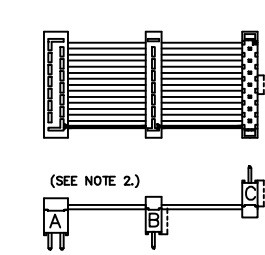
-D"XX"-O
MIDDLE REVERSED (SEE NOTE 1.)



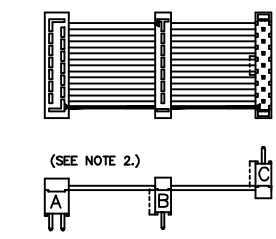
-D"XX"-O
OUTSIDE REVERSED (SEE NOTE 1.)



-W"XX"-O
OUTSIDE REVERSED



-D"XX"-O
OUTSIDE REVERSED



MADE BY: KOLB 8-3-90

520 PARK EAST BLVD. NEW ALBANY, INDIANA 47150
PHONE (812) 844-8733 P.O. BOX 1147
CODE 56322

HMD-XX-X-XX-XX-XX-XX
SHEET 2 OF 2