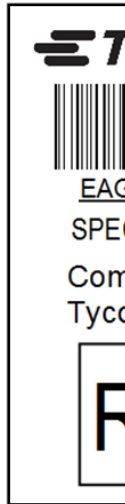
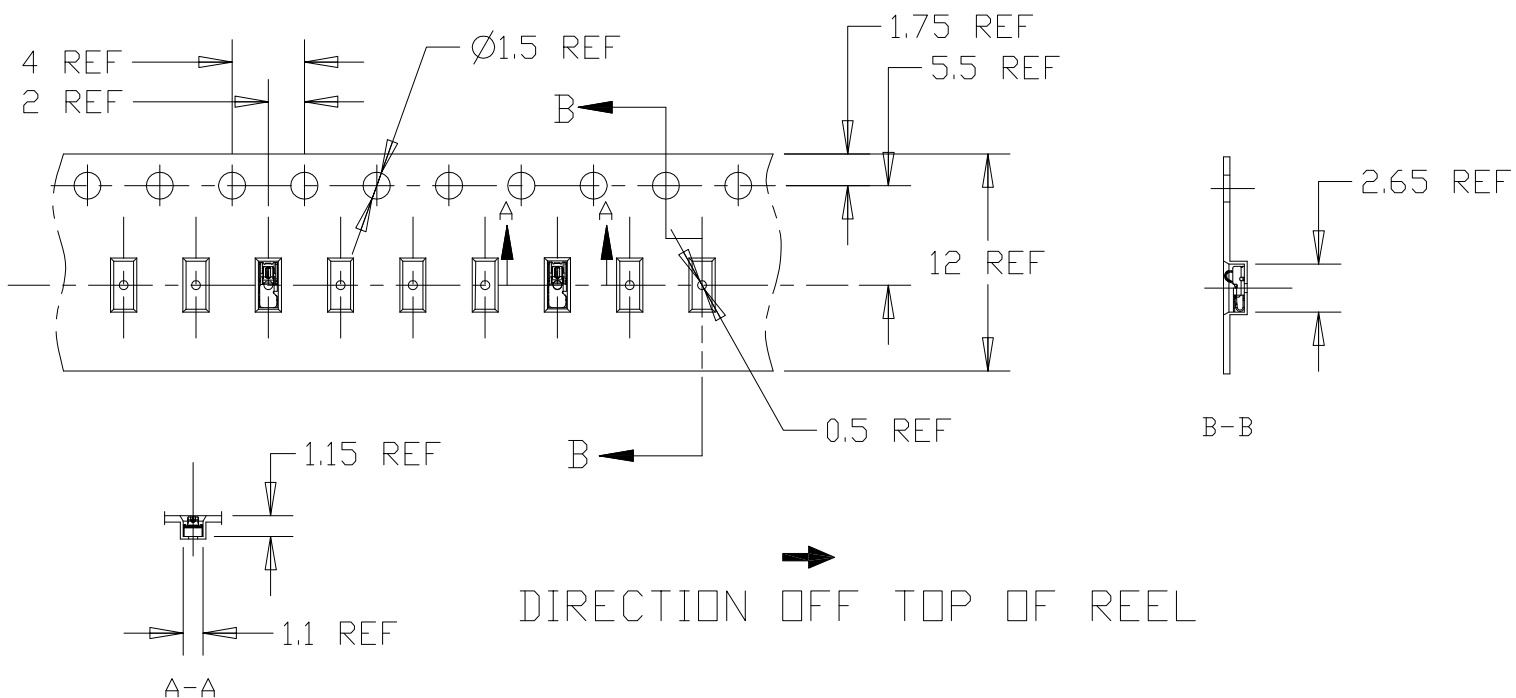
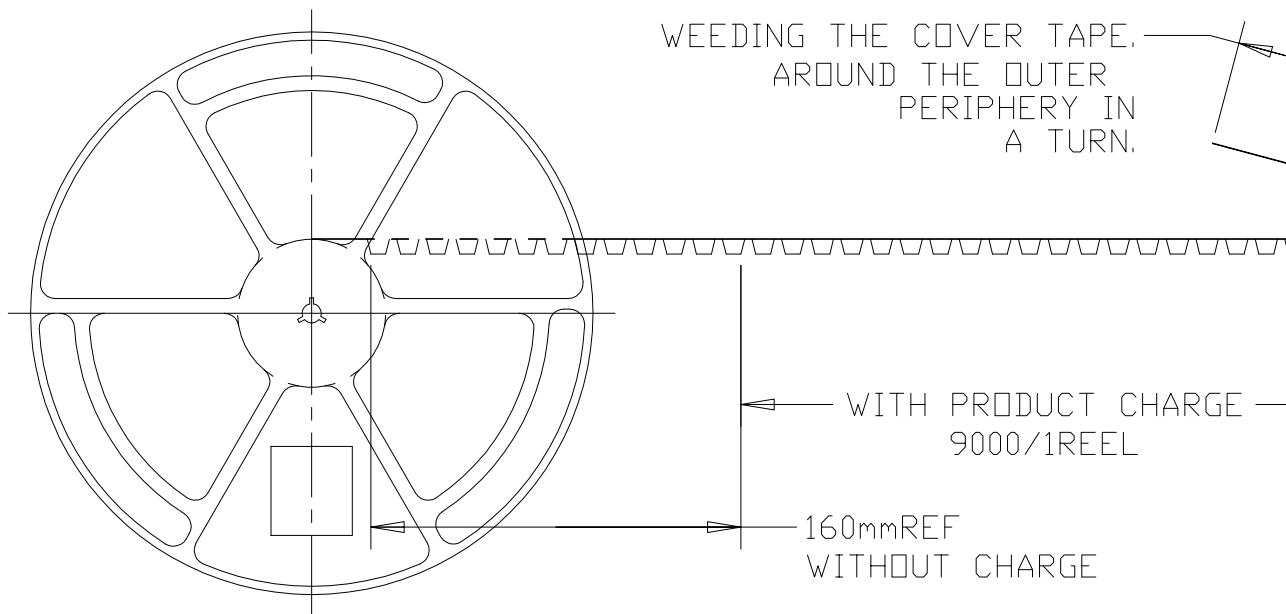
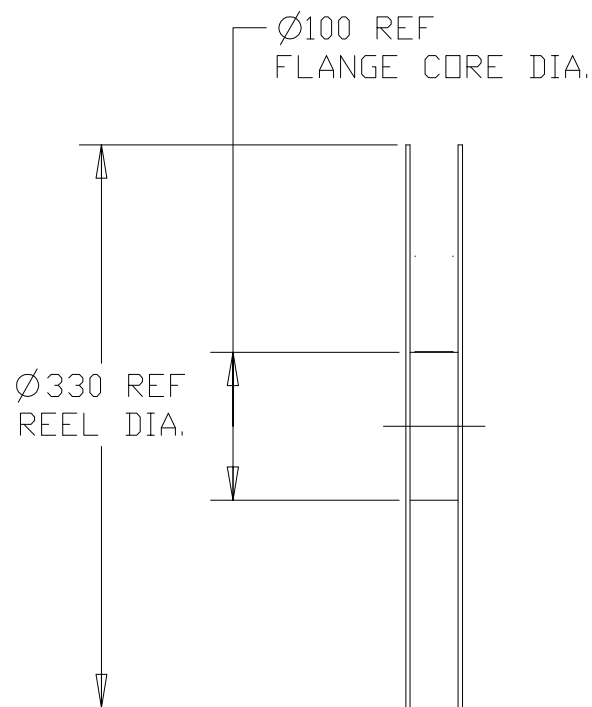


P	LTR



- 1. LG PAR
- 3. VENDO



THIS DRAWING IS A CONTROLLED DOCUMENT.

DIMENSIONS:	TOLERANCES UNLESS OTHERWISE SPECIFIED:
mm	±0.15
	Ø-PLC ±
	1-PLC ±0.5
	2-PLC ±0.13
	3-PLC ±0.013
	4-PLC ±0.0001
MATERIAL	FINISH
-	-

DWN	IC KANG	14AUG2013
CHK	JH KIM	14AUG2013
APVD	JH KIM	14AUG2013
PRODUCT SPEC	108-XXXXX	
APPLICATION SPEC		
WEIGHT		
CUSTOMER DRAWING		

# Mouser Electronics

Authorized Distributor

Click to View Pricing, Inventory, Delivery & Lifecycle Information:

[TE Connectivity:](#)

[2108693-4](#)