
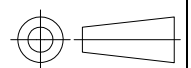


THIS DRAWING IS UNPUBLISHED. RELEASED FOR PUBLICATION
 © COPYRIGHT - By - ALL RIGHTS RESERVED.

LOC	DIST	REVISIONS					
ES	00	P	LTR	DESCRIPTION	DATE	DWN	APVD
		-		SEE SHEET 1	-	-	-

TAPE TYPE	W2	W1	F	E	D	C	B	A	QTY/REEL	POS	COLOR	DN TAPE P/N
TYPE 2	61.5	57.5	6.2	52.4	30.5	56	37.1	±0.15 26.2	700	20	BLACK	7-292227-0
	61.5	57.5	6.2	52.4	29.0	56	35.6		700	19		6-292227-9
	49.5	45.5	6.2	40.4	27.5	44	34.1	20.2 ±0.15	700	18		6-292227-8
	49.5	45.5	6.2	40.4	26.0	44	32.6		700	17		6-292227-7
	49.5	45.5	6.2	40.4	24.5	44	31.1		700	16		6-292227-6
	49.5	45.5	6.2	40.4	23.0	44	29.6		700	15		6-292227-5
	49.5	45.5	6.2	40.4	21.5	44	28.1		700	14		6-292227-4
	49.5	45.5	6.2	40.4	20.0	44	26.6		700	13		6-292227-3
	49.5	45.5	6.2	40.4	18.5	44	25.1		700	12		6-292227-2
	49.5	45.5	6.2	40.4	17.0	44	23.6		20.2	700		11
	37.5	33.5	6.2	28.4	15.5	32	22.1	14.2	700	10		6-292227-0
	37.5	33.5	6.2	28.4	14.0	32	20.6	14.2	700	9		5-292227-9
	37.5	33.5	6.2	28.4	12.5	32	19.1	14.2	700	8		5-292227-8
	37.5	33.5	6.2	28.4	11.0	32	17.6	14.2	700	7		5-292227-7
	TYPE 1	29.5	25.5	6.2	-	9.5	24	16.1	11.5	700		6
29.5		25.5	6.2	-	8.0	24	14.6	11.5	700	5	5-292227-5	
29.5		25.5	6.2	-	6.5	24	13.1	11.5	700	4	5-292227-4	
29.5		25.5	4.7	-	5.0	24	11.6	11.5	700	3	5-292227-3	
29.5		25.5	2.8	-	3.5	24	10.1	11.5	700	2	5-292227-2	

TAPE TYPE	W2	W1	F	E	D	C	B	A	QTY/REEL	POS	COLOR	DN TAPE P/N
TYPE 2	61.5	57.5	6.2	52.4	30.5	56	37.1	±0.15 26.2	700	20	BEIGE	2-292227-0
	61.5	57.5	6.2	52.4	29.0	56	35.6		700	19		1-292227-9
	49.5	45.5	6.2	40.4	27.5	44	34.1	20.2 ±0.15	700	18		1-292227-8
	49.5	45.5	6.2	40.4	26.0	44	32.6		700	17		1-292227-7
	49.5	45.5	6.2	40.4	24.5	44	31.1		700	16		1-292227-6
	49.5	45.5	6.2	40.4	23.0	44	29.6		700	15		1-292227-5
	49.5	45.5	6.2	40.4	21.5	44	28.1		700	14		1-292227-4
	49.5	45.5	6.2	40.4	20.0	44	26.6		700	13		1-292227-3
	49.5	45.5	6.2	40.4	18.5	44	25.1		700	12		1-292227-2
	49.5	45.5	6.2	40.4	17.0	44	23.6		20.2	700		11
	37.5	33.5	6.2	28.4	15.5	32	22.1	14.2	700	10		1-292227-0
	37.5	33.5	6.2	28.4	14.0	32	20.6	14.2	700	9		292227-9
	37.5	33.5	6.2	28.4	12.5	32	19.1	14.2	700	8		292227-8
	37.5	33.5	6.2	28.4	11.0	32	17.6	14.2	700	7		292227-7
	TYPE 1	29.5	25.5	6.2	-	9.5	24	16.1	11.5	700		6
29.5		25.5	6.2	-	8.0	24	14.6	11.5	700	5	292227-5	
29.5		25.5	6.2	-	6.5	24	13.1	11.5	700	4	292227-4	
29.5		25.5	4.7	-	5.0	24	11.6	11.5	700	3	292227-3	
29.5		25.5	2.8	-	3.5	24	10.1	11.5	700	2	292227-2	

THIS DRAWING IS A CONTROLLED DOCUMENT.		DWN	S.XU	31JAN03	 TE Connectivity	
DIMENSIONS: mm		CHK	S.YAO	31JAN03		
		APVD	T.SASAKI	31JAN03		
TOLERANCES UNLESS OTHERWISE SPECIFIED:		PRODUCT SPEC	108-60018			
MATERIAL		FINISH	114-5223		NAME	AMP Mini CT Connector 1.5mm PITCH SINGLE ROW POST HDR ASS'Y (H) SMT TYPE WITH BOSS, EMBOSS TAPE PACKAGED
			WEIGHT		SIZE	A3
					CAGE CODE	00779
					DRAWING NO	C-292227
					RESTRICTED TO	-
					SCALE	NTS
					SHEET	2 of 4
					REV	C1

THIS DRAWING IS UNPUBLISHED.

RELEASED FOR PUBLICATION

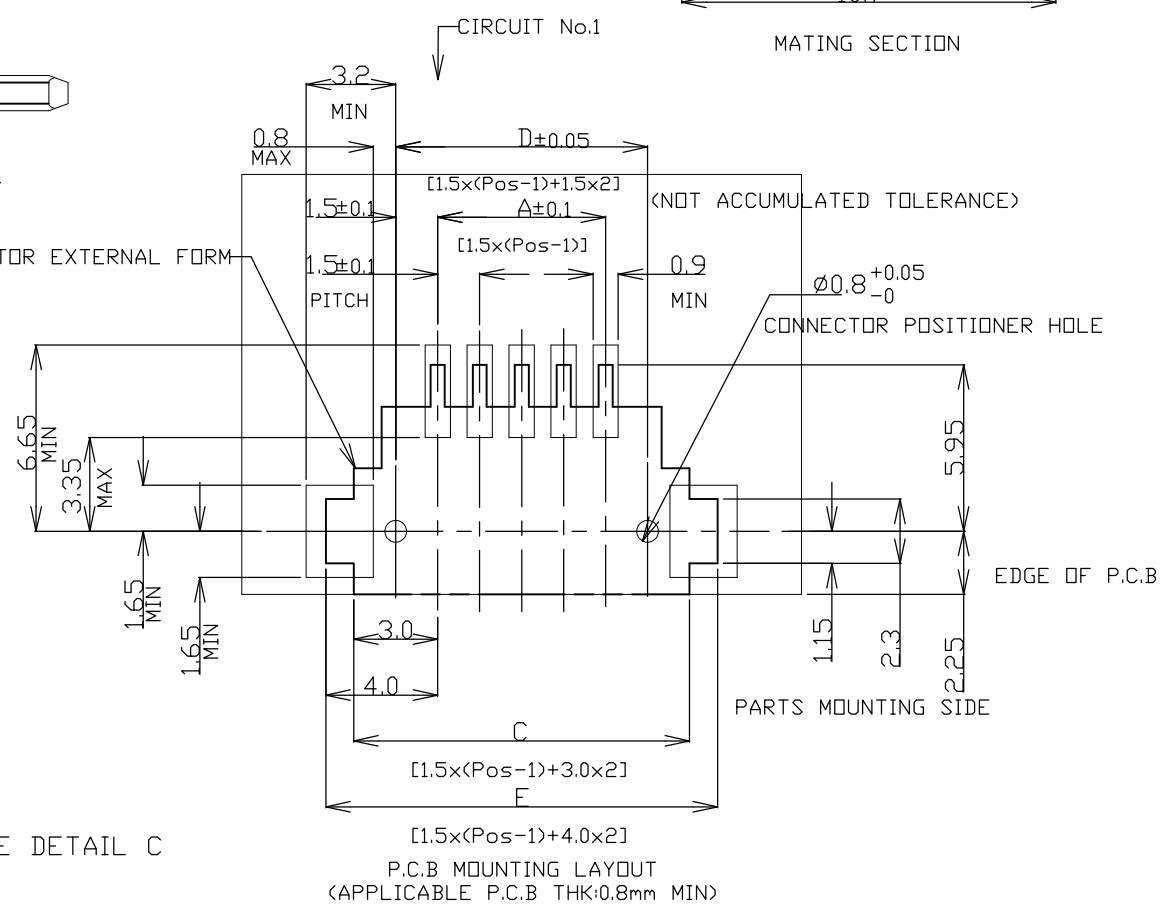
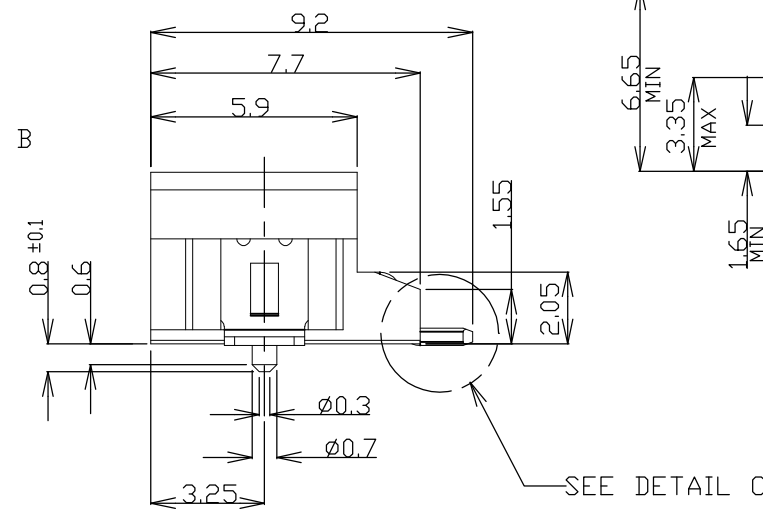
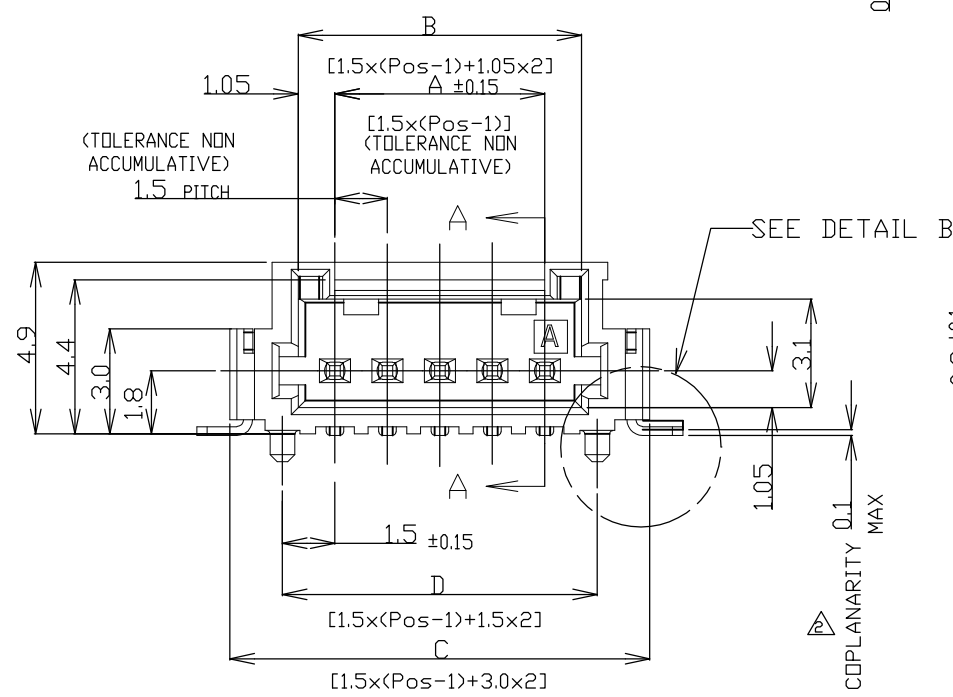
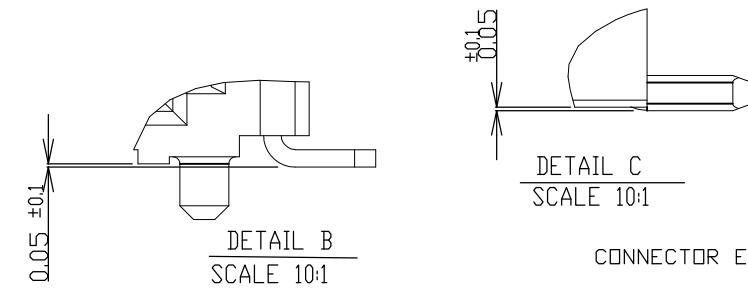
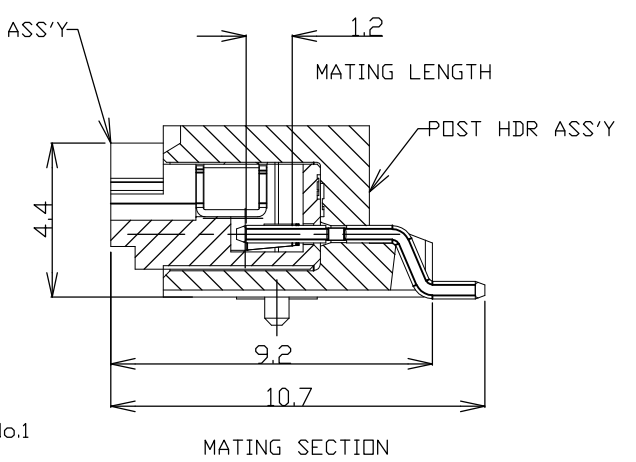
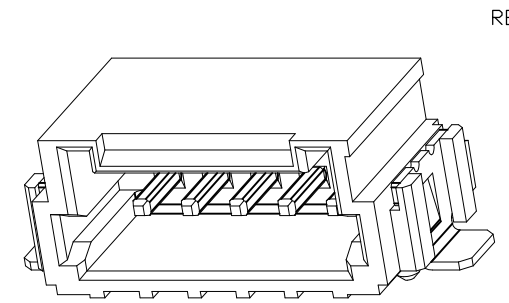
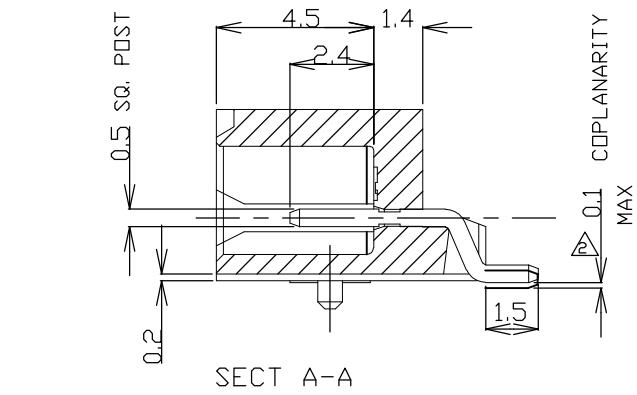
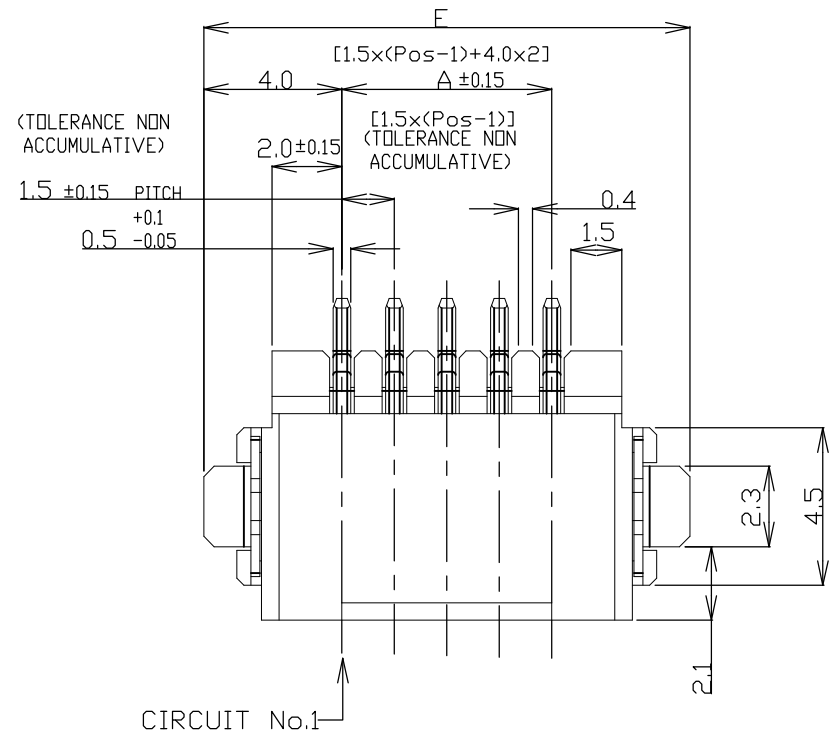
ALL RIGHTS RESERVED.

© COPYRIGHT - By -

LOC ES DIST 00

REVISIONS

P	LTR	DESCRIPTION	DATE	DWN	APVD
-	-	SEE SHEET 1	-	-	-



NOTES:
 1.MATERIAL:
 HOUSING:6T NYLON(HIGH HEAT-RESISTED NYLON)G.F.30%
 UL94V-0, COLOR: BEIGE OR BLACK
 POST:TIN BRASS WIRE
 TO BE MEASURED WITH CONNECTOR PLACED ON HORIZONTAL DATUM SURFACE,
 FLOAT OF SOLDER TINE AND SOLDER PEG 0.1mm MAX.

THIS DRAWING IS A CONTROLLED DOCUMENT.		DWN S.XU 31JAN03	STE TE Connectivity	
DIMENSIONS: mm		CHK S.YAO 31JAN03		
TOLERANCES UNLESS OTHERWISE SPECIFIED:		APVD T.SASAKI 31JAN03	NAME	
0 PLC ± -		PRODUCT SPEC 108-60018	AMP Mini CT Connector 1.5mm PITCH	
1 PLC ± -		APPLICATION SPEC 114-5223	SINGLE ROW POST HDR ASS'Y (H)	
2 PLC ± -		WEIGHT	SMT TYPE WITH BOSS, EMBOSS TAPE PACKAGED	
3 PLC ± -		CUSTOMER DRAWING	SIZE A3	CAGE CODE 00779
4 PLC ± -		SCALE NTS	DRAWING NO C-292227	RESTRICTED TO
ANGLES ± -		SHEET 3 OF 4	REV C1	
FINISH				

THIS DRAWING IS UNPUBLISHED. RELEASED FOR PUBLICATION
 © COPYRIGHT - By - ALL RIGHTS RESERVED.

LOC	DIST	REVISIONS			
P	LTR	DESCRIPTION	DATE	DWN	APVD
ES	00	-	SEE SHEET 1	-	-

1.079	36.5	31.5	34.5	30.6	28.5	20	7-292227-0	2-292227-0
1.034	35.0	30.0	33.0	29.1	27.0	19	6-292227-9	1-292227-9
0.989	33.5	28.5	31.5	27.6	25.5	18	6-292227-8	1-292227-8
0.943	32.0	27.0	30.0	26.1	24.0	17	6-292227-7	1-292227-7
0.897	30.5	25.5	28.5	24.6	22.5	16	6-292227-6	1-292227-6
0.851	29.0	24.0	27.0	23.1	21.0	15	6-292227-5	1-292227-5
0.805	27.5	22.5	25.5	21.6	19.5	14	6-292227-4	1-292227-4
0.760	26.0	21.0	24.0	20.1	18.0	13	6-292227-3	1-292227-3
0.714	24.5	19.5	22.5	18.6	16.5	12	6-292227-2	1-292227-2
0.668	23.0	18.0	21.0	17.1	15.0	11	6-292227-1	1-292227-1
0.622	21.5	16.5	19.5	15.6	13.5	10	6-292227-0	1-292227-0
0.577	20.0	15.0	18.0	14.1	12.0	9	5-292227-9	292227-9
0.531	18.5	13.5	16.5	12.6	10.5	8	5-292227-8	292227-8
0.485	17.0	12.0	15.0	11.1	9.0	7	5-292227-7	292227-7
0.439	15.5	10.5	13.5	9.6	7.5	6	5-292227-6	292209-6
0.393	14.0	9.0	12.0	8.1	6.0	5	5-292227-5	292227-5
0.348	12.5	7.5	10.5	6.6	4.5	4	5-292227-4	292227-4
0.302	11.0	6.0	9.0	5.1	3.0	3	5-292227-3	292227-3
0.256	9.5	4.5	7.5	3.6	1.5	2	5-292227-2	292227-2
WEIGHT (g)	E	D	C	B	A	Pos.	BLACK	BEIGE (NAT)
	DIMENSIONS						P/N	

THIS DRAWING IS A CONTROLLED DOCUMENT.		DWN S.XU 31JAN03	STE TE Connectivity	
DIMENSIONS: mm		CHK S.YAO 31JAN03		
TOLERANCES UNLESS OTHERWISE SPECIFIED:		APVD T.SASAKI 31JAN03	NAME	
0 PLC ± -		PRODUCT SPEC	AMP Mini CT Connector 1.5mm PITCH	
1 PLC ± -		108-60018	SINGLE ROW POST HDR ASS'Y (H)	
2 PLC ± -		APPLICATION SPEC	SMT TYPE WITH BOSS, EMBOSS TAPE PACKAGED	
3 PLC ± -		114-5223	SIZE	RESTRICTED TO
4 PLC ± -		WEIGHT	A3 00779	
ANGLES ± -		CUSTOMER DRAWING	CAGE CODE	DRAWING NO
FINISH		SCALE	G-292227	REV
		NTS	4 OF 4	C1

Mouser Electronics

Authorized Distributor

Click to View Pricing, Inventory, Delivery & Lifecycle Information:

[TE Connectivity:](#)

[292227-5](#)