

4

3

2

1

THIS DRAWING IS UNPUBLISHED.


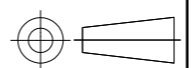
RELEASED FOR PUBLICATION SEP , 2007.

© COPYRIGHT 2007 By -

ALL RIGHTS RESERVED.

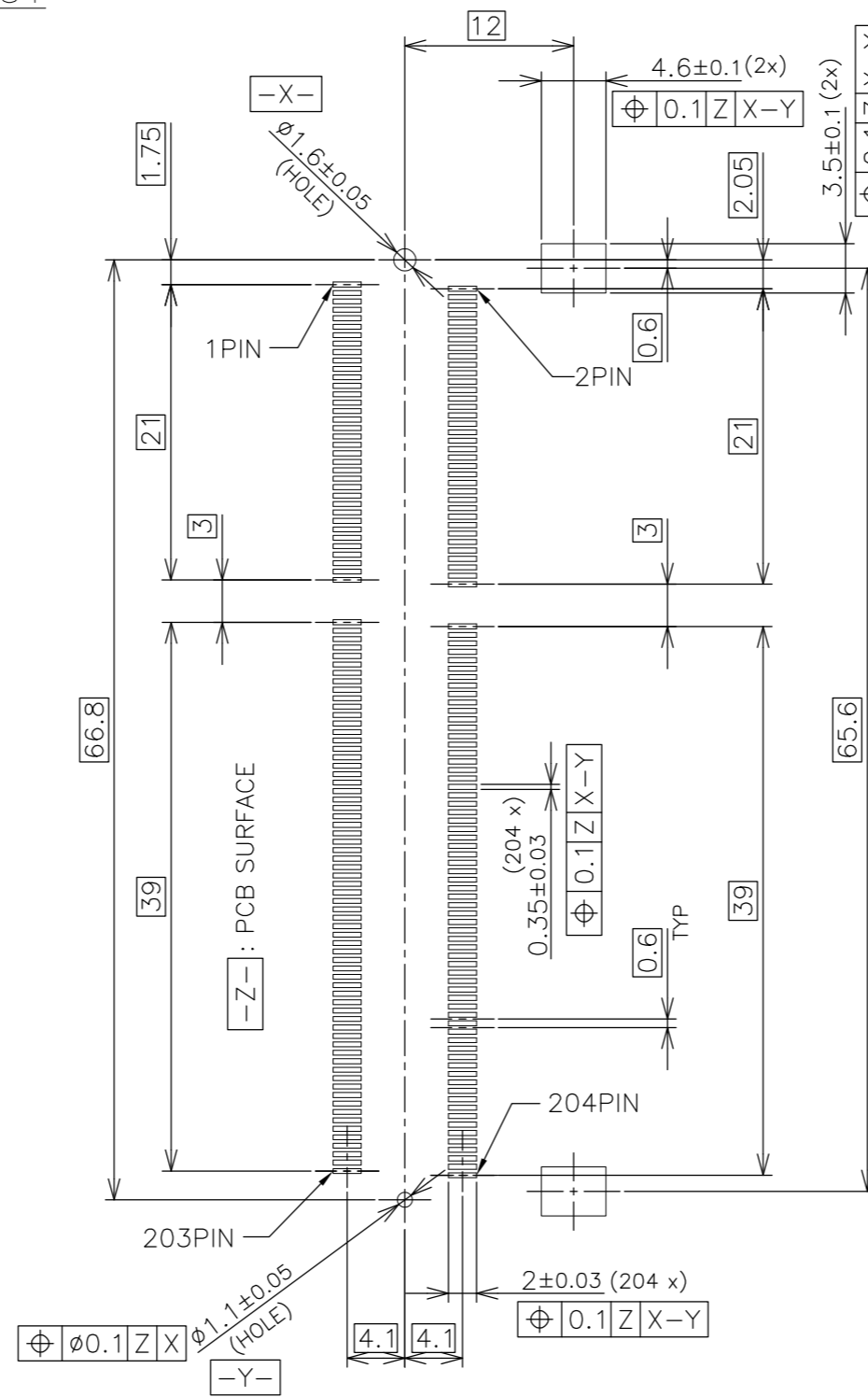
LOC	DIST	REVISIONS					
J	/	P	LTR	DESCRIPTION	DATE	DWN	APVD
		-		SEE SHEET 1	-	-	-

AVAILABLE	ENBOSS (SEE SHEET 6)	WITH BOSS	BLACK	NOTE 2-3	1.5V	204	2-2013289-3
AVAILABLE	ENBOSS (SEE SHEET 6)	WITH BOSS	BLACK	NOTE 2-2	1.5V	204	2-2013289-2
AVAILABLE	ENBOSS (SEE SHEET 6)	WITH BOSS	BLACK	NOTE 2-1	1.5V	204	2-2013289-1
AVAILABLE	SEMI-HARD TRAY (SEE SHEET 5)	WITH BOSS	BLACK	NOTE 2-3	1.5V	204	2013289-3
AVAILABLE	SEMI-HARD TRAY (SEE SHEET 5)	WITH BOSS	BLACK	NOTE 2-2	1.5V	204	2013289-2
AVAILABLE	SEMI-HARD TRAY (SEE SHEET 5)	WITH BOSS	BLACK	NOTE 2-1	1.5V	204	2013289-1
TOOLING STATUS	PACKAGING TYPE	BOSS TYPE	HOUSING COLOR	FINISH	POWER SUPPLY	POS	PART NO.


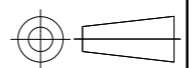
THIS DRAWING IS A CONTROLLED DOCUMENT.		DWN	 TE Connectivity					
DIMENSIONS: MM		CHK				NAME DDR3 SODIMM SOCKET 0.6mm PITCH 204POS 5.2mm HEIGHT STANDARD TYPE		
		APVD						
TOLERANCES UNLESS OTHERWISE SPECIFIED: 0 PLC ± 1 PLC ± 2 PLC ± 3 PLC ± 4 PLC ± ANGLES ±		PRODUCT SPEC				SIZE	CAGE CODE	DRAWING NO
MATERIAL		FINISH	A3 00779 C-2013289					
CUSTOMER DRAWING			WEIGHT	SCALE 2:1		SHEET 2 OF 6	REV C	

P	LTR	DESCRIPTION	DATE	DWN	APVD
-	-	SEE SHEET 1	-	-	-

REFERENCE P.C.BOARD PATTERN LAYOUT
(CONNECTOR MOUNTING SIDE)



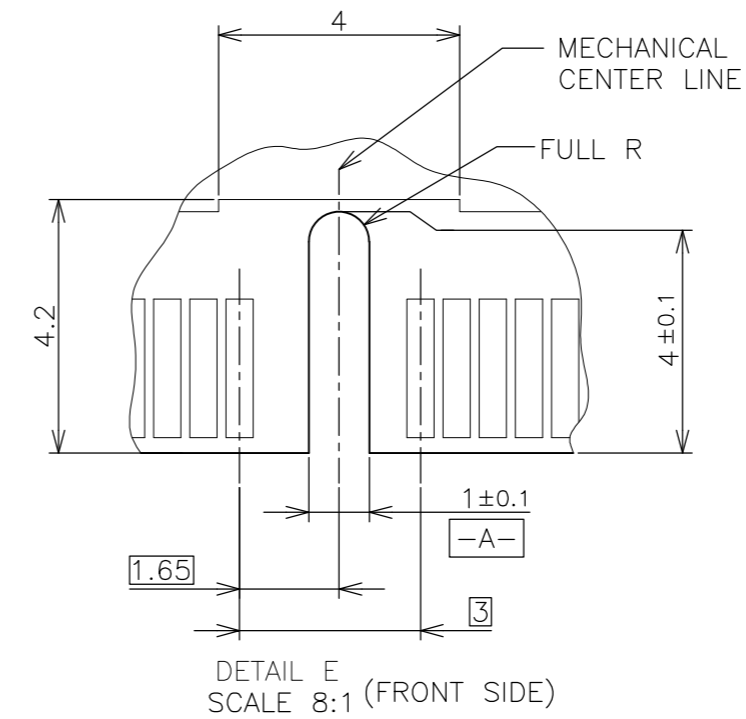
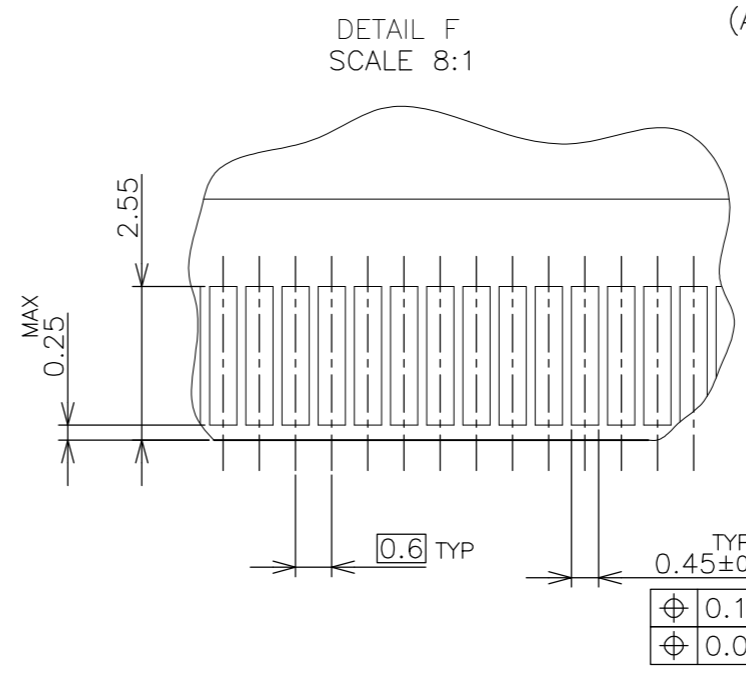
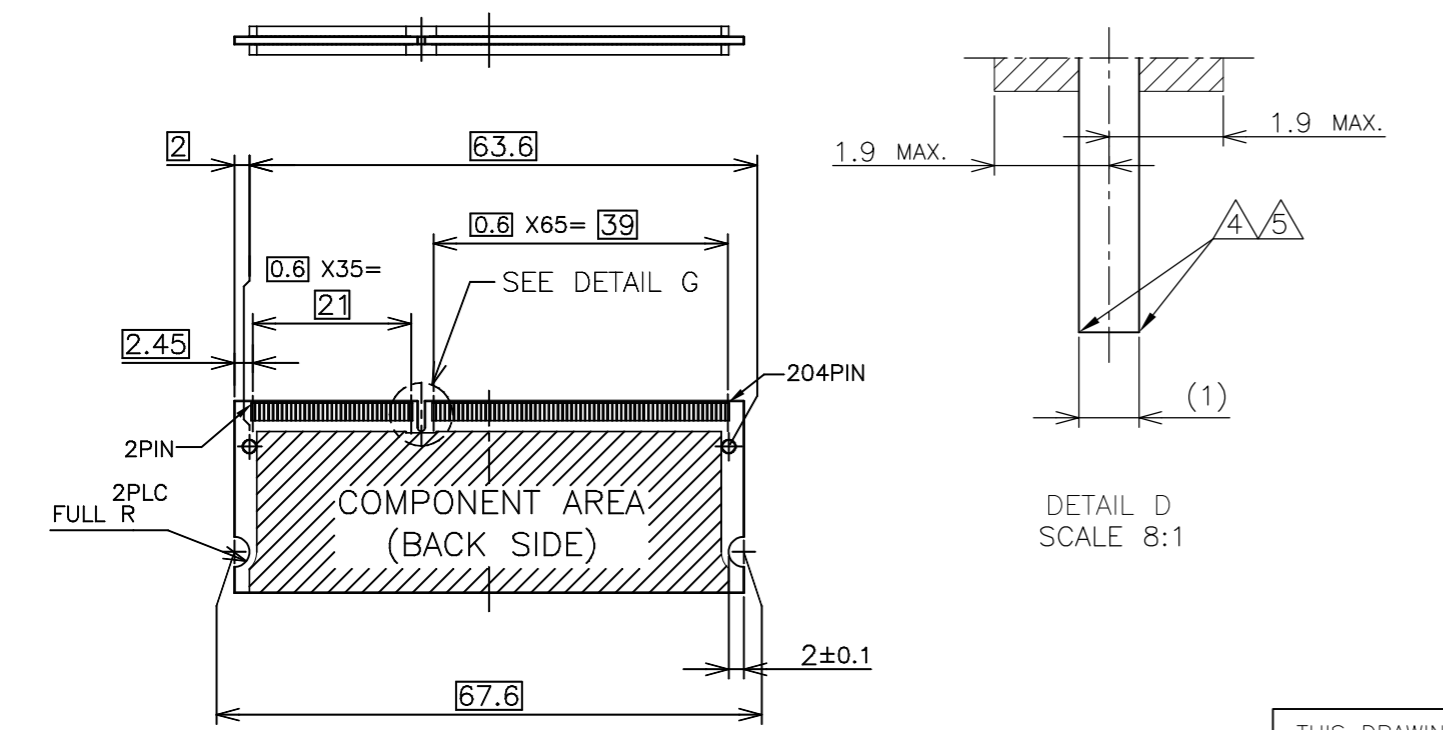
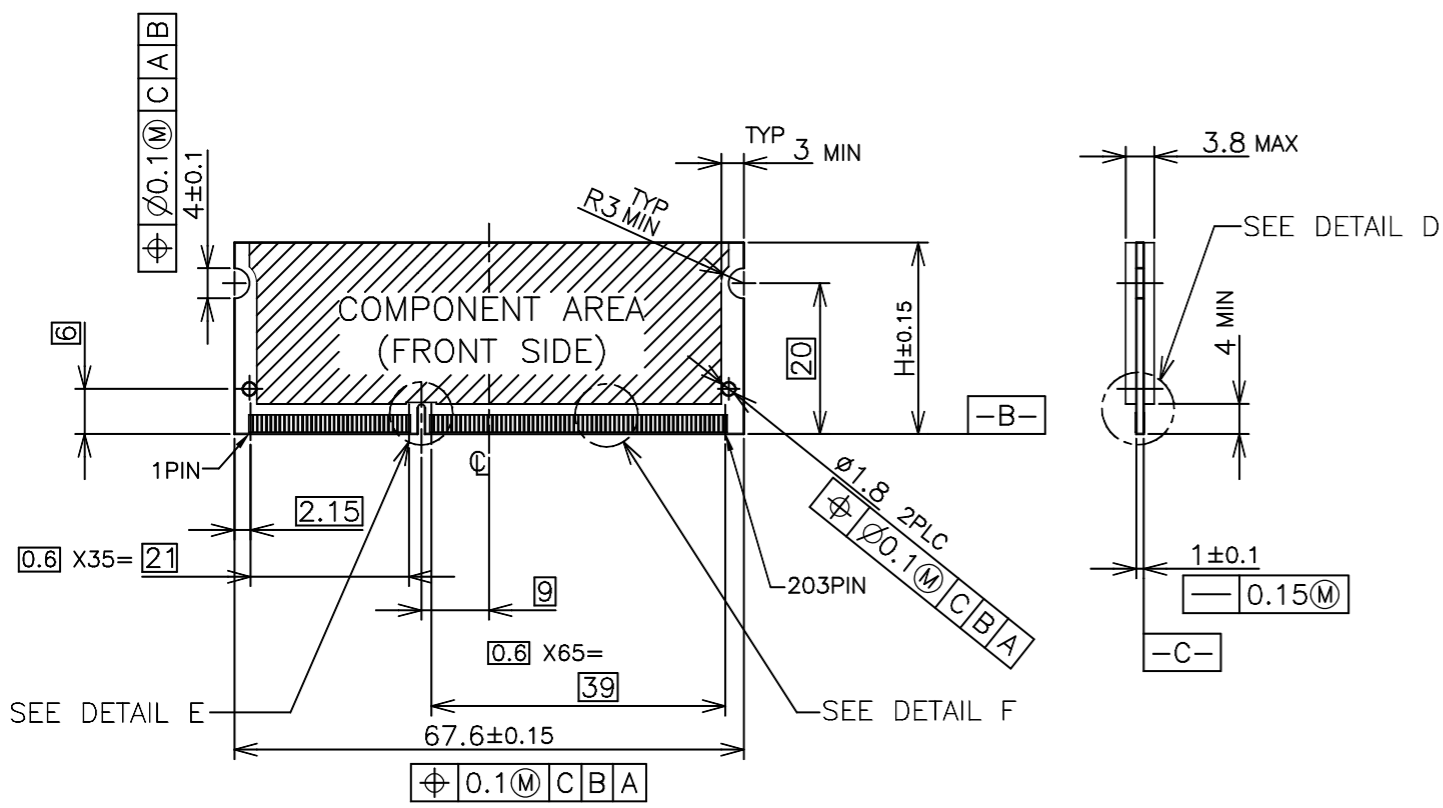
STD TYPE

THIS DRAWING IS A CONTROLLED DOCUMENT.		DWN		 TE Connectivity	
DIMENSIONS: MM		CHK			
		APVD		NAME	
TOLERANCES UNLESS OTHERWISE SPECIFIED:		PRODUCT SPEC		DDR3 SODIMM SOCKET	
0 PLC ±		APPLICATION SPEC		0.6mm PITCH 204POS	
1 PLC ±		WEIGHT		5.2mm HEIGHT STANDARD TYPE	
2 PLC ±		CUSTOMER DRAWING		SIZE	RESTRICTED TO
3 PLC ±		SCALE 2:1		A3	-
4 PLC ±		SHEET 3 OF 6		CAGE CODE	REV C
ANGLES ±		DRAWING NO		00779	
FINISH		C=2013289			

LOC	DIST
J	/

REVISIONS				
P	LTR	DESCRIPTION	DATE	APVD
-	-	SEE SHEET 1	-	-

REFERENCE MATING P.C.B CONFIGURATION



- (APPLIED TO SHEET 4)
1. TOLERANCES ON ALL DIMENSIONS ±0.15 UNLESS OTHERWISE SPECIFIED.
 2. P.C. BOARD THICKNESS APPLIES ACROSS TABS AND INCLUDES PLATING AND/OR METALIZATION.
 3. FINISH OF PAD : GOLD PLATING 0.00076 MIN. OVER Ni PLATING 0.002MIN.
- ⚠ NO BURR
 - ⚠ CHAMFER 0.25 MAX x 45° IF EXIST.

DETAIL D SCALE 8:1

DETAIL E SCALE 8:1 (FRONT SIDE)

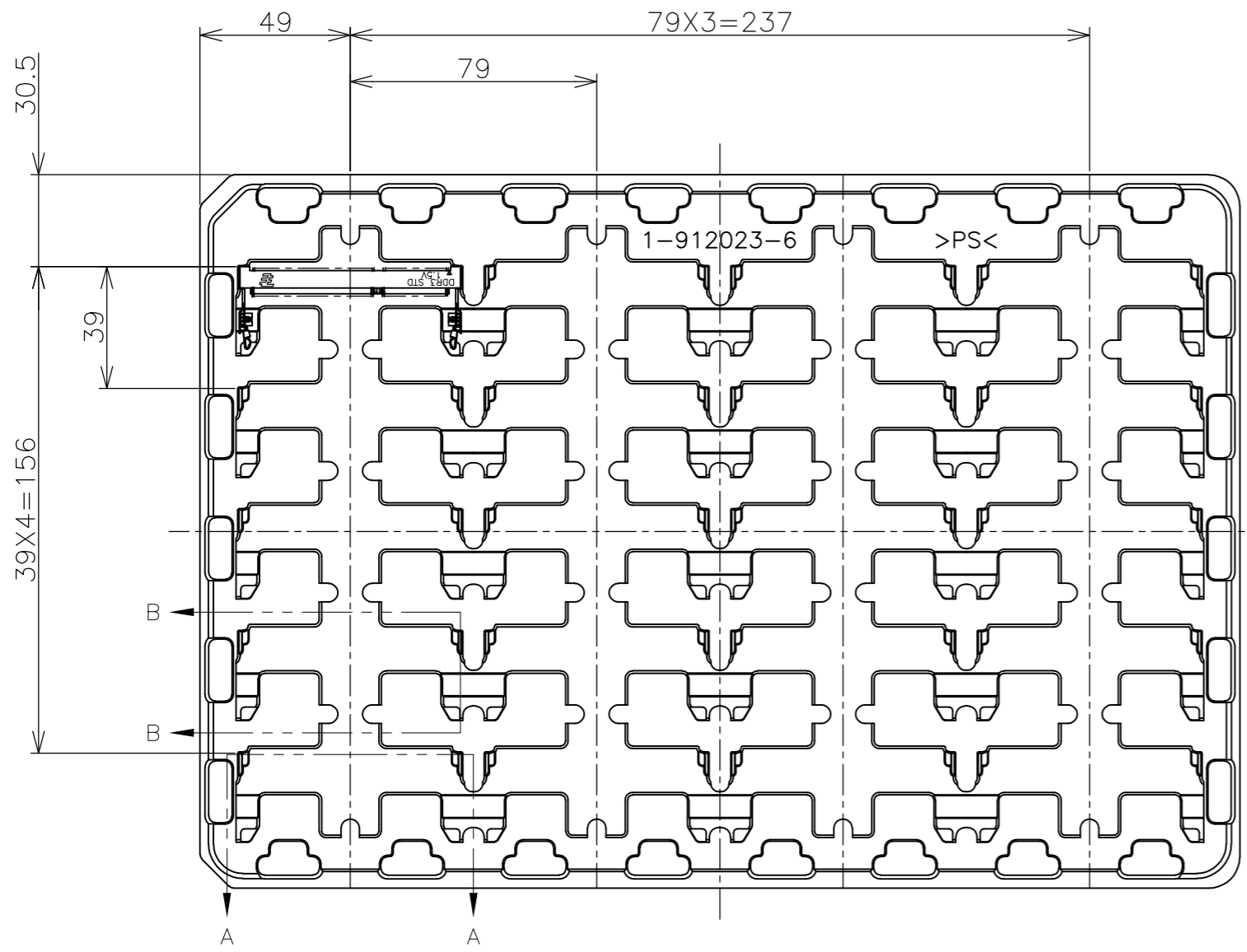
DETAIL G SCALE 8:1 (BACK SIDE)

30	CA
31.75	BA
25.4	AA
H	SDRAM VARIATIONS

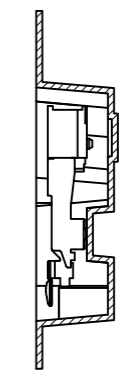
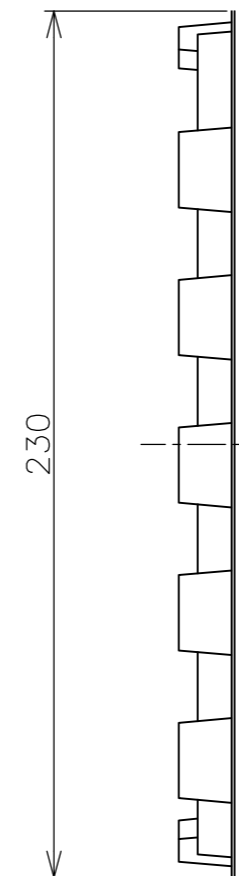
THIS DRAWING IS A CONTROLLED DOCUMENT.		DWN		 TE Connectivity	
DIMENSIONS: MM		CHK			
TOLERANCES UNLESS OTHERWISE SPECIFIED:		APVD			
0 PLC ± 1 PLC ± 2 PLC ± 3 PLC ± 4 PLC ± ANGLES ± FINISH ±		PRODUCT SPEC APPLICATION SPEC WEIGHT			
MATERIAL		NAME		DDR3 SODIMM SOCKET 0.6mm PITCH 204POS 5.2mm HEIGHT STANDARD TYPE	
		SIZE		RESTRICTED TO	
		CAGE CODE		-	
		DRAWING NO		A300779 C-2013289	
CUSTOMER DRAWING		SCALE		SHEET	
		2:1		4 OF 6	
		REV		C	

THIS DRAWING IS UNPUBLISHED. RELEASED FOR PUBLICATION SEP, 2007.
 © COPYRIGHT 2007 By - ALL RIGHTS RESERVED.

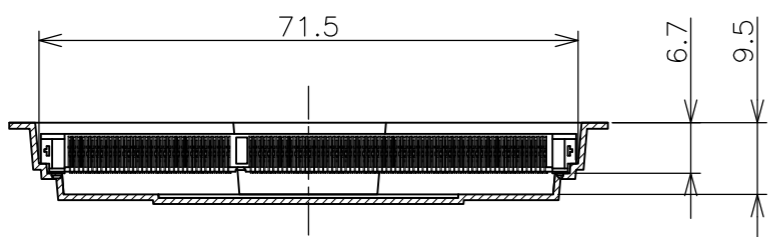
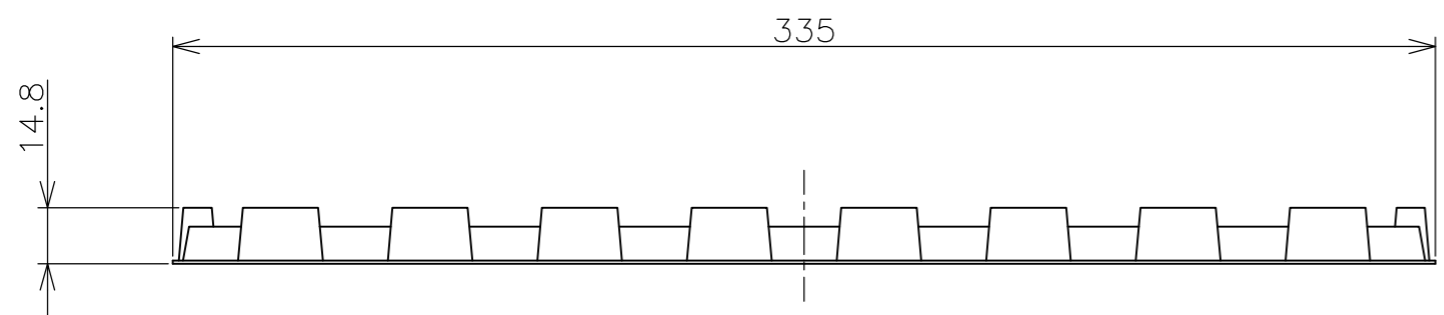
LOC	DIST	REVISIONS			
P	LTR	DESCRIPTION	DATE	DWN	APVD
J	/	SEE SHEET 1	-	-	-



- (APPLIED TO SHEET 5)
1. THE DIRECTION OF EACH CONNECTOR ON A TRAY IS REFERRED TO THIS DRAWING.
 2. GENERAL TOLERANCE: ±0.5, ±3'



B-B
SCALE 1:1



A-A
SCALE 1:1
(180DEG. ROTATE)

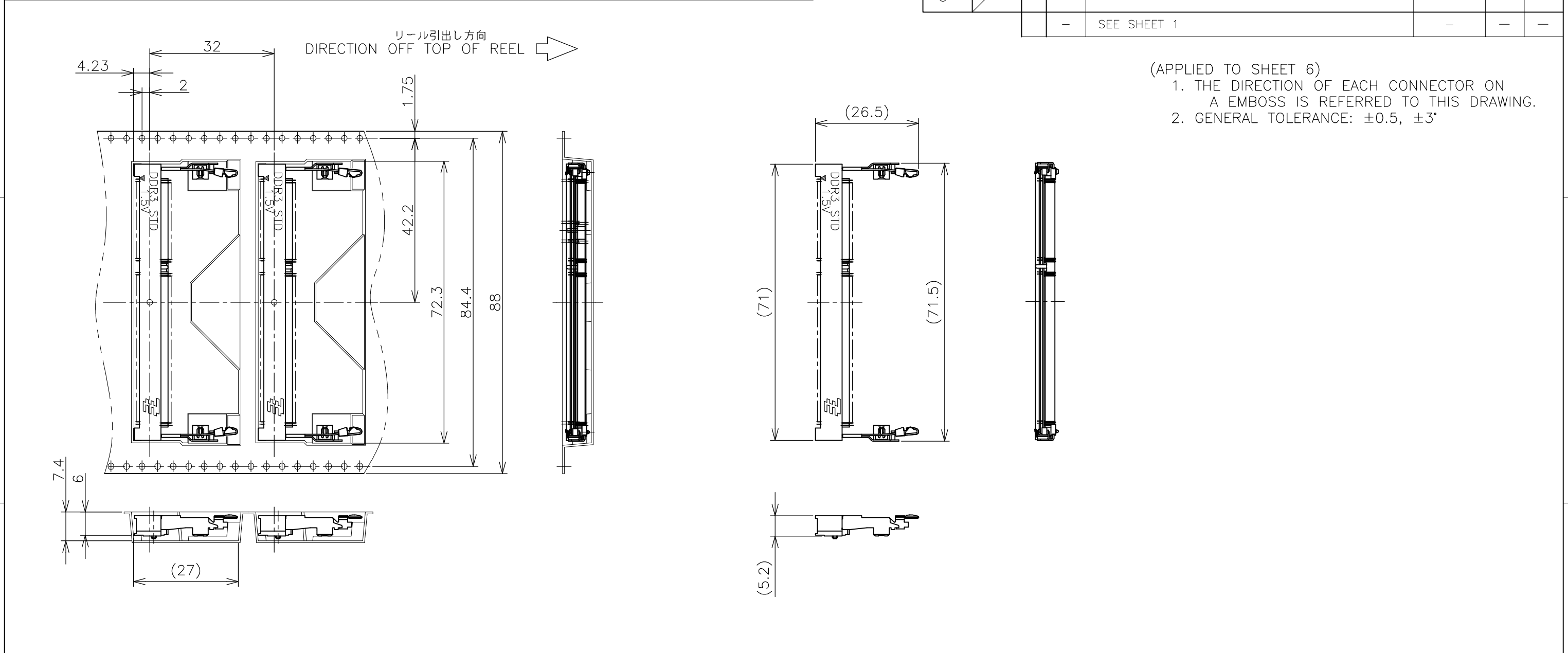
240EA	20EA	*-2013289-*
QTY/BOX	QTY/TRAY	PART NO.

THIS DRAWING IS A CONTROLLED DOCUMENT.		DWN	TE Connectivity								
DIMENSIONS: MM		CHK									
		APVD									
TOLERANCES UNLESS OTHERWISE SPECIFIED: 0 PLC ± 0.5 1 PLC ± 0.5 2 PLC ± 0.5 3 PLC ± 0.5 4 PLC ± 0.5 ANGLES ± 3' MATERIAL FINISH		NAME									
MATERIAL		PRODUCT SPEC	DDR3 SODIMM SOCKET								
		APPLICATION SPEC	0.6mm PITCH 204POS								
		WEIGHT	5.2mm HEIGHT STANDARD TYPE								
		CUSTOMER DRAWING	<table border="1"> <tr> <td>SIZE</td> <td>CAGE CODE</td> <td>DRAWING NO</td> <td>RESTRICTED TO</td> </tr> <tr> <td>A3</td> <td>00779</td> <td>C-2013289</td> <td>-</td> </tr> </table>	SIZE	CAGE CODE	DRAWING NO	RESTRICTED TO	A3	00779	C-2013289	-
SIZE	CAGE CODE	DRAWING NO	RESTRICTED TO								
A3	00779	C-2013289	-								

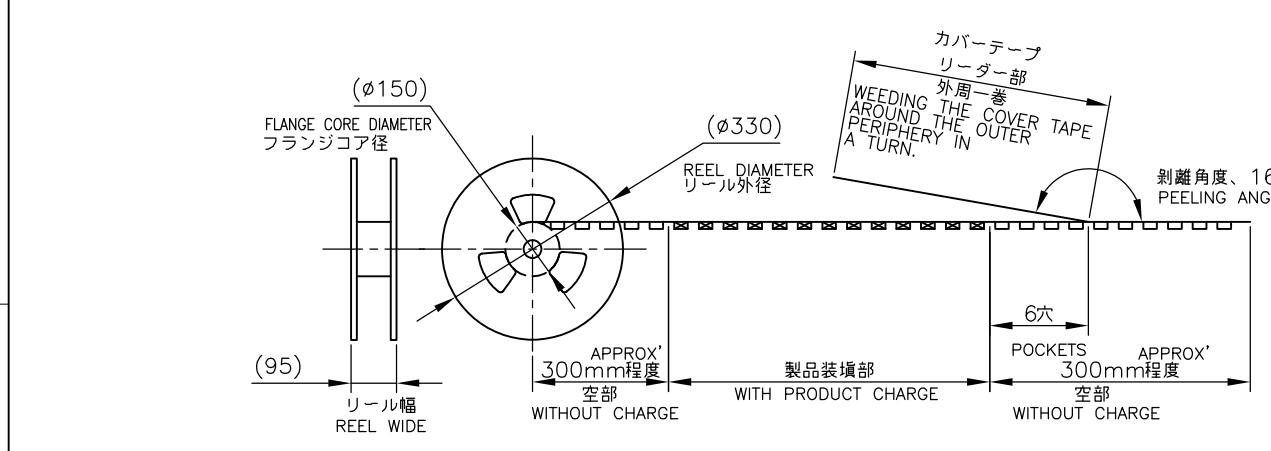
CUSTOMER DRAWING		SCALE 1:2	SHEET 5 of 6	REV C
------------------	--	-----------	--------------	-------

THIS DRAWING IS UNPUBLISHED. RELEASED FOR PUBLICATION SEP, 2007.
 © COPYRIGHT 2007 By - ALL RIGHTS RESERVED.

LOC		DIST		REVISIONS				
P	LTR	DESCRIPTION			DATE	DWN	APVD	
	-	SEE SHEET 1			-	-	-	



(APPLIED TO SHEET 6)
 1. THE DIRECTION OF EACH CONNECTOR ON A EMBOSS IS REFERRED TO THIS DRAWING.
 2. GENERAL TOLERANCE: ±0.5, ±3°



FREE SCALE

THIS DRAWING IS A CONTROLLED DOCUMENT.		DWN	TE Connectivity			
DIMENSIONS: MM		CHK				
TOLERANCES UNLESS OTHERWISE SPECIFIED:		APVD	NAME			
0 PLC ± 0.5		PRODUCT SPEC	DDR3 SODIMM SOCKET			
1 PLC ± 0.5		APPLICATION SPEC	0.6mm PITCH 204POS			
2 PLC ± 0.5		WEIGHT	SIZE	CAGE CODE	DRAWING NO	RESTRICTED TO
3 PLC ± 0.5			A3	00779	C-2013289	-
4 PLC ± 0.5		CUSTOMER DRAWING		SCALE	SHEET	REV
ANGLES ± 3°				1:2	6 OF 6	C
FINISH						

Mouser Electronics

Authorized Distributor

Click to View Pricing, Inventory, Delivery & Lifecycle Information:

[TE Connectivity:](#)

[2-2013289-1](#)