

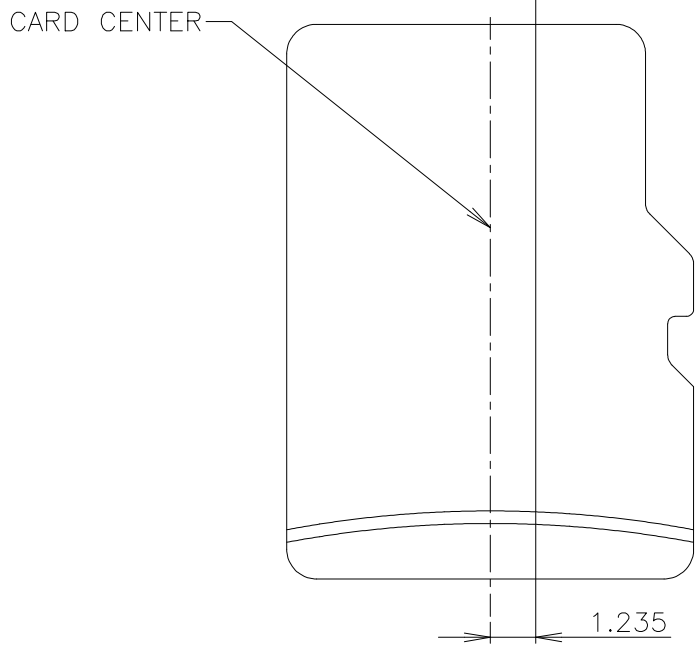
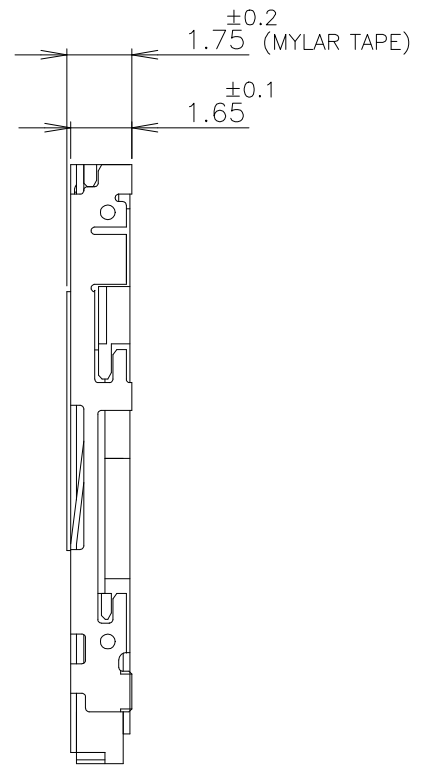
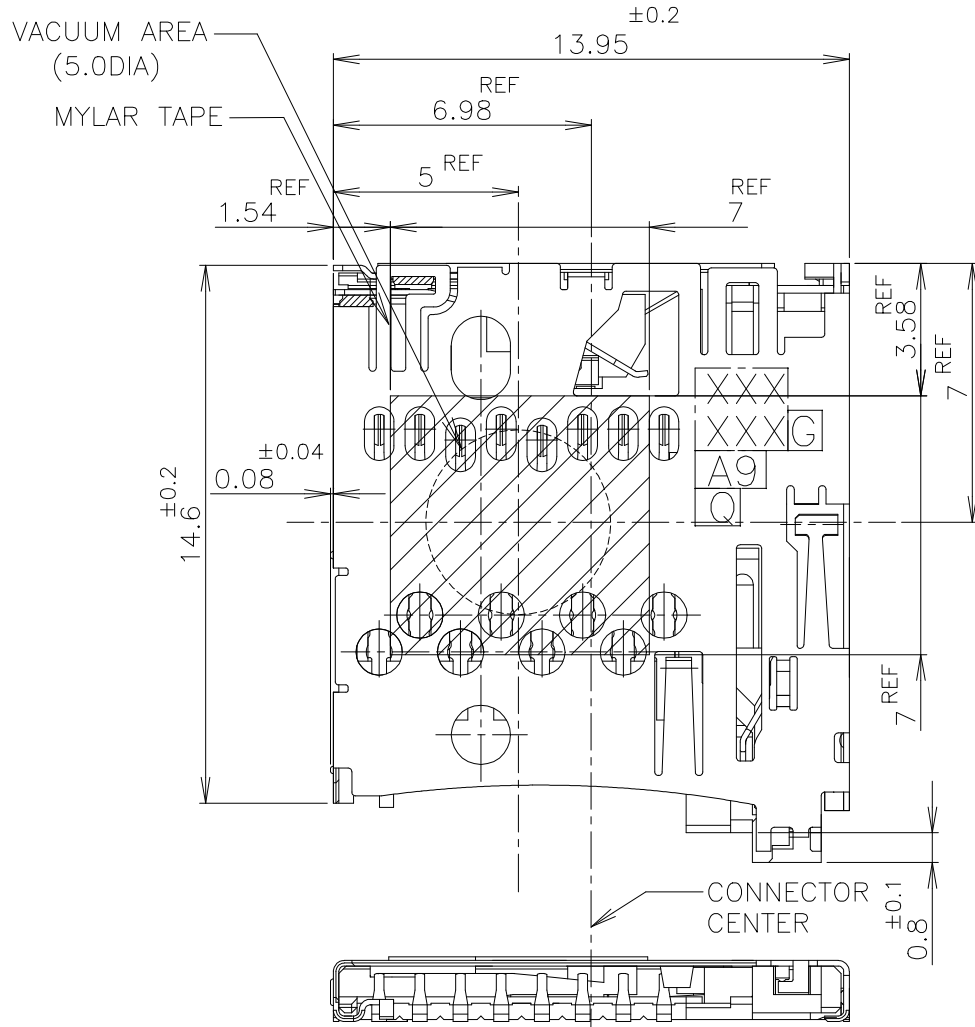
P	LTR	
	-	SEE

D

C

B

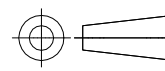
A



THIS DRAWING IS A CONTROLLED DOCUMENT.

DIMENSIONS:  
単位: 耗  
MM

TOLERANCES UNLESS  
OTHERWISE SPECIFIED:  
一般公差



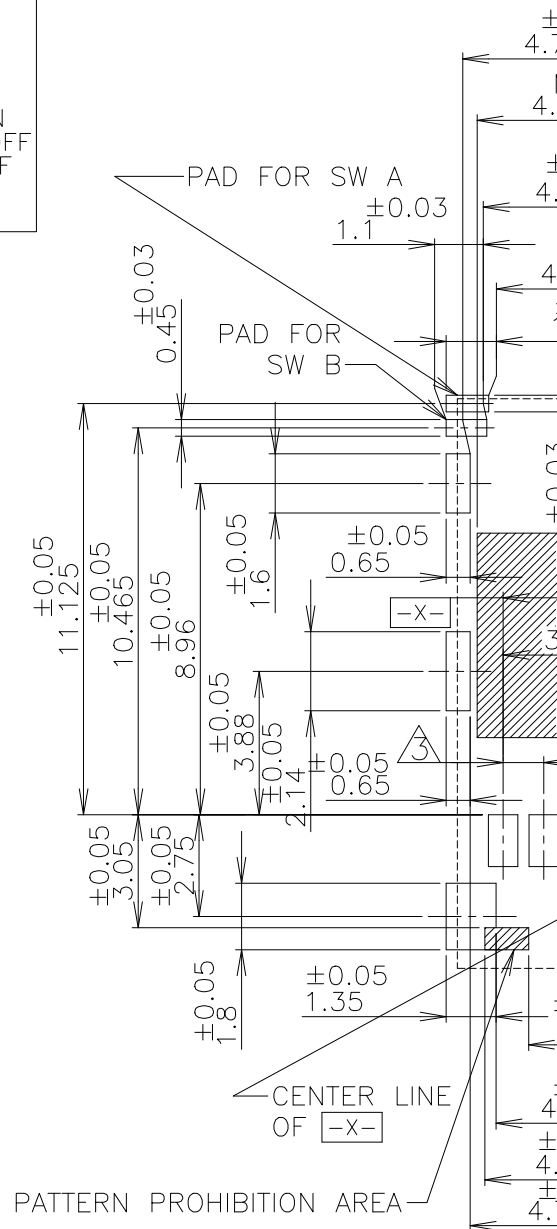
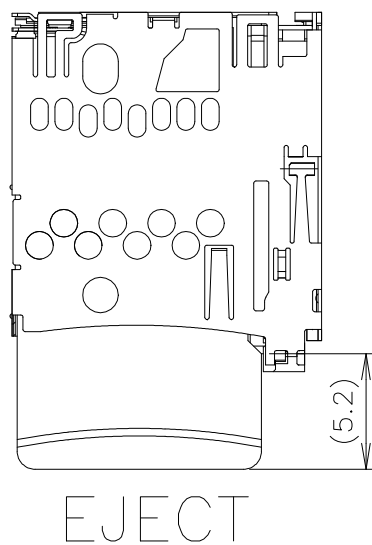
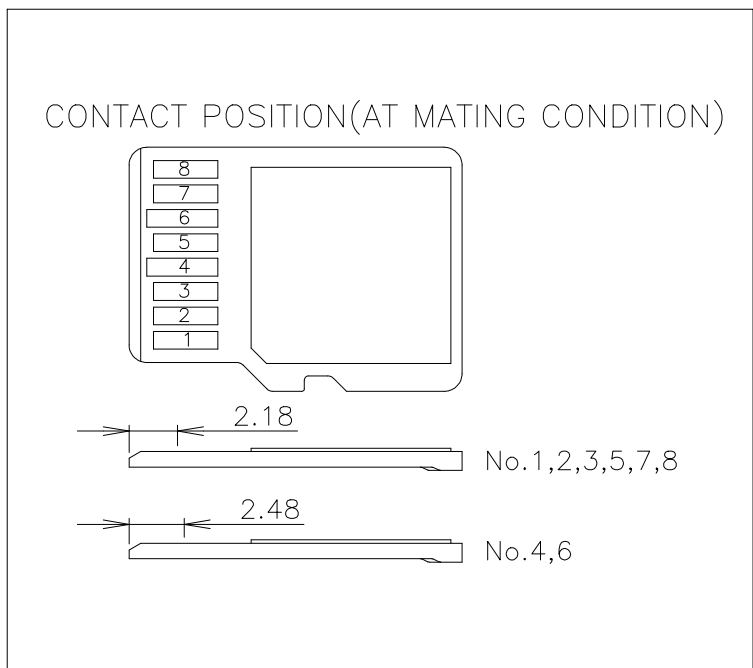
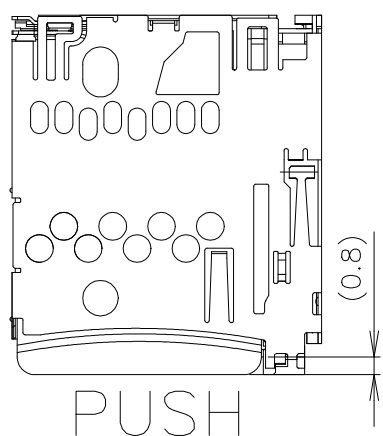
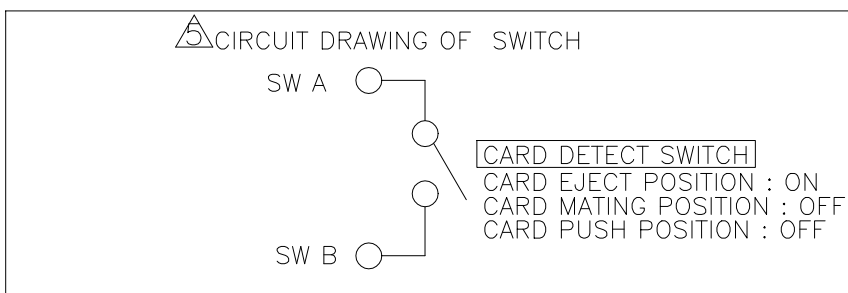
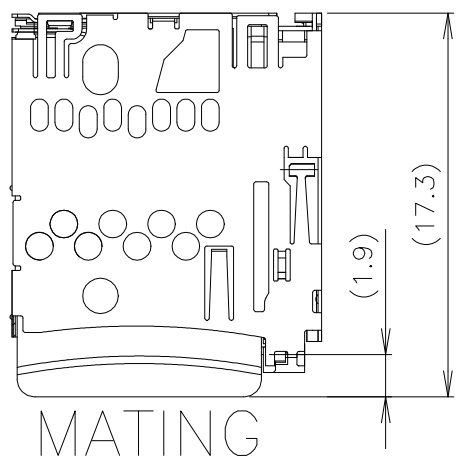
0 PLC	± 0.3
1 PLC	± 0.3
2 PLC	± 0.3
3 PLC	± 0.3
4 PLC	± 0.3
ANGLES	± 1°

MATERIAL  
材料

FINISH  
仕上

DWN	-
CHK	-
APVD	-
PRODUCT SPEC	製品規格
APPLICATION SPEC	取付適用規格
108-78951	
WEIGHT	-
CUSTOMER DRAWING	

P	LTR	
-	-	SEE

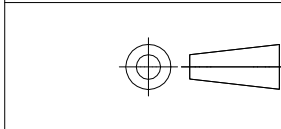


(VIEWED FROM...)

THIS DRAWING IS A CONTROLLED DOCUMENT.		DWN
		CHK
		APVD
		PRODUCT SPEC
		製品規格
		APPLICATION SPEC
		取付適用規格
		WEIGHT
		CUSTOMER DRAWING

DIMENSIONS:  
単位: 耗  
MM

TOLERANCES UNLESS OTHERWISE SPECIFIED:  
一般公差



0 PLC	± 0.3
1 PLC	± 0.3
2 PLC	± 0.3
3 PLC	± 0.3
4 PLC	± 0.3
ANGLES	± 1°

MATERIAL  
材料

FINISH  
仕上

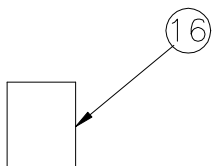
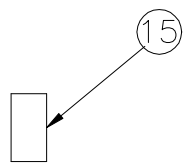
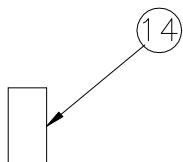
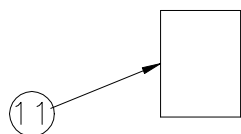
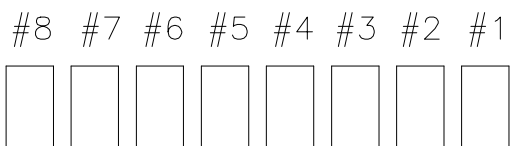
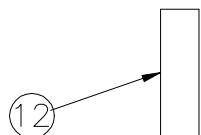
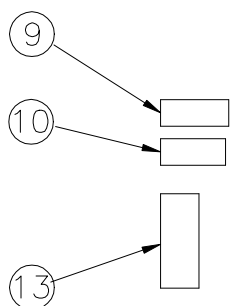
P	LTR	
	-	SEE

D

C

B

A



### PIN ASSIG

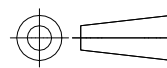
PIN#	SD MODE		
	NAME	TYPE	DESCRIPTION
1	DAT2	I/O	DATA LINE[BIT 2]
2	CD/DAT3	I/O	CARD DETECT/ DATA LINE[BIT 3]
3	CMD	I/O	COMMAND/RESPONSE
4	V <sub>DD</sub>	S	SUPPLY VOLTAGE
5	CLK	I	CLOCK
6	V <sub>SS</sub>	S	SUPPLY VOLTAGE GROUND
7	DAT0	I/O	DATA LINE[BIT 0]
8	DAT1	I/O	DATA LINE[BIT 1]

### PIN ASSIGNMENT

NO.	PIN NAME	DESCRIPTION
⑨	SWA	DETECT SWITCH
⑩	SWB	DETECT SWITCH
⑪ ~ ⑯	GND	SHELL GROUND

THIS DRAWING IS A CONTROLLED DOCUMENT.

DIMENSIONS:  
単位: 耗  
MM



TOLERANCES UNLESS  
OTHERWISE SPECIFIED:  
一般公差

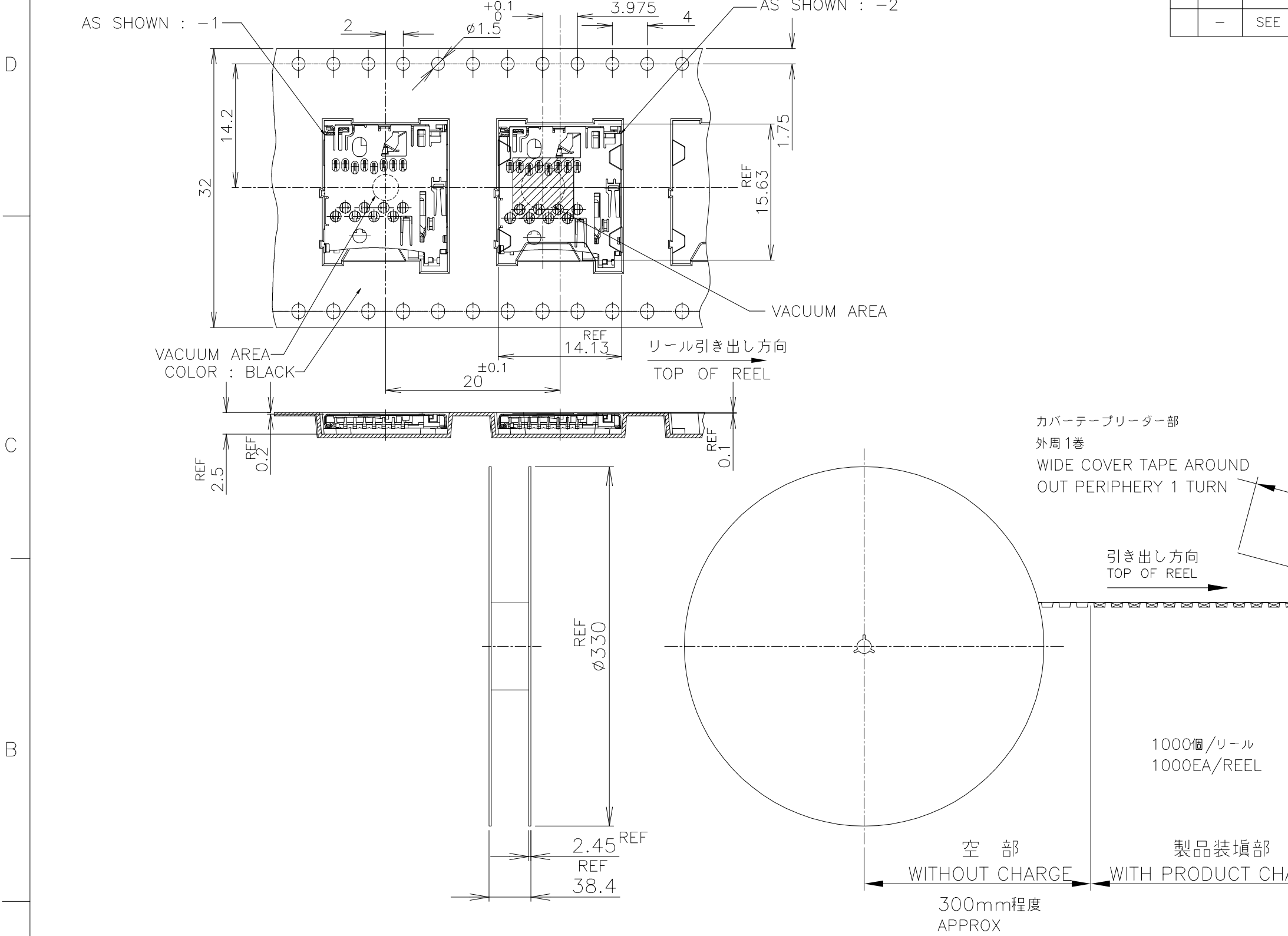
0 PLC	± 0.3
1 PLC	± 0.3
2 PLC	± 0.3
3 PLC	± 0.3
4 PLC	± 0.3
ANGLES	± 1°

MATERIAL  
材料

FINISH  
仕上

DWN	—
CHK	—
APVD	—
PRODUCT SPEC	製品規格
APPLICATION SPEC	取付適用規格
WEIGHT	—
CUSTOMER DRAWING	—

P	LTR	
-		SEE



THIS DRAWING IS A CONTROLLED DOCUMENT.		DWN
		CHK
		APVD
		PRODUCT SPEC 製品規格
		APPLICATION SPEC 取付適用規格
		WEIGHT
CUSTOMER DRAWING		

DIMENSIONS: 単位: 耗 MM	TOLERANCES UNLESS OTHERWISE SPECIFIED: 一般公差
	0 PLC ± 0.3
	1 PLC ± 0.3
	2 PLC ± 0.3
	3 PLC ± 0.3
	4 PLC ANGLES ± 1°

MATERIAL 材料	FINISH 仕上
----------------	--------------

# Mouser Electronics

Authorized Distributor

Click to View Pricing, Inventory, Delivery & Lifecycle Information:

[TE Connectivity:](#)

[2201778-1](#)