

THIS DRAWING IS UNPUBLISHED.

RELEASED FOR PUBLICATION

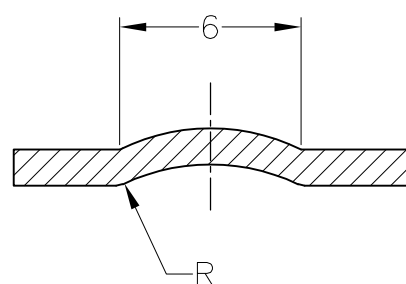
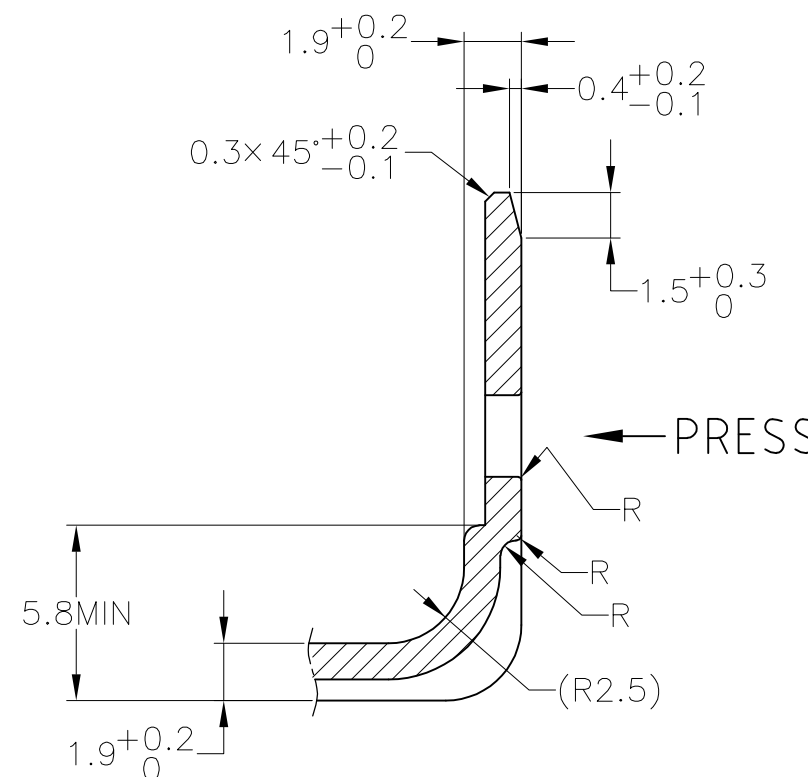
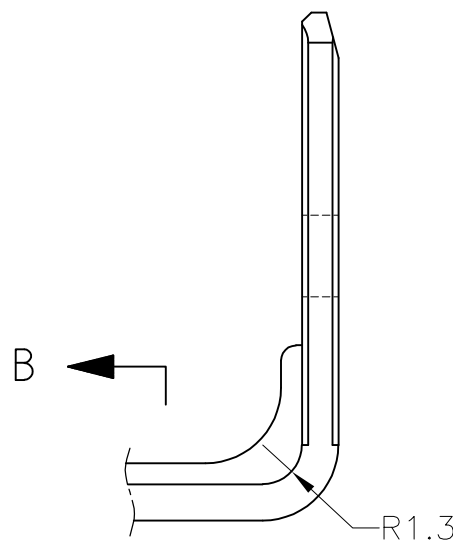
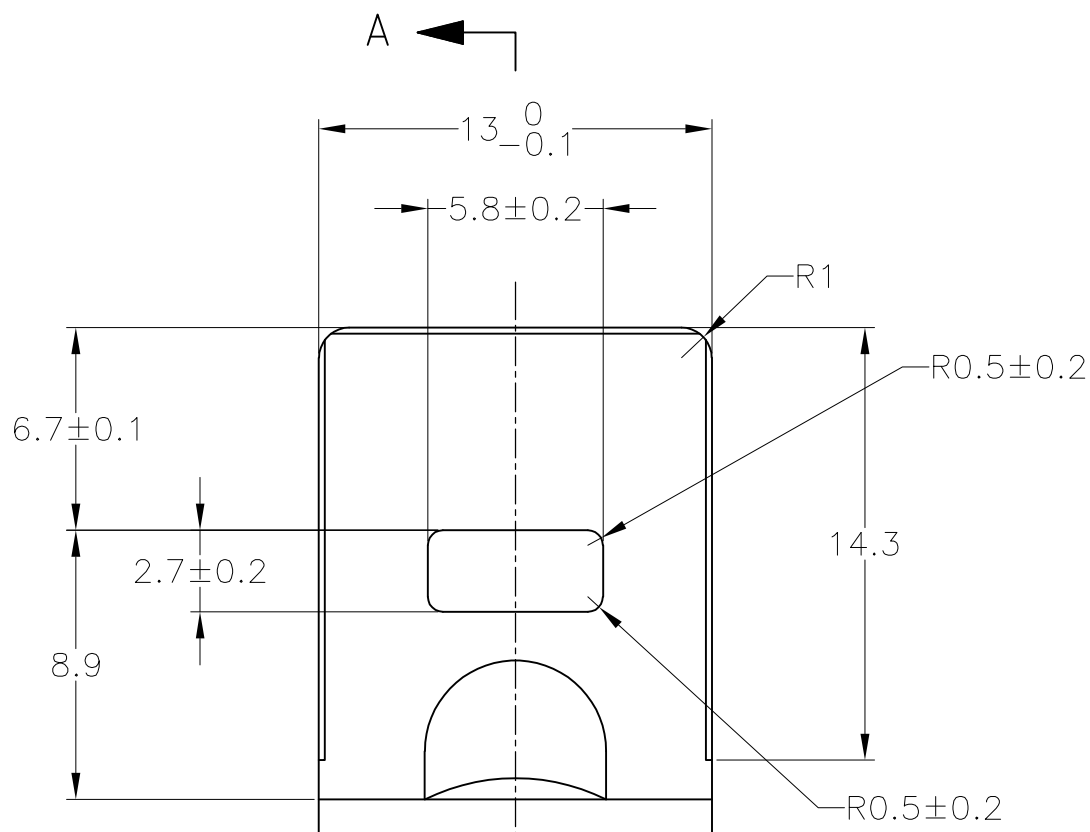
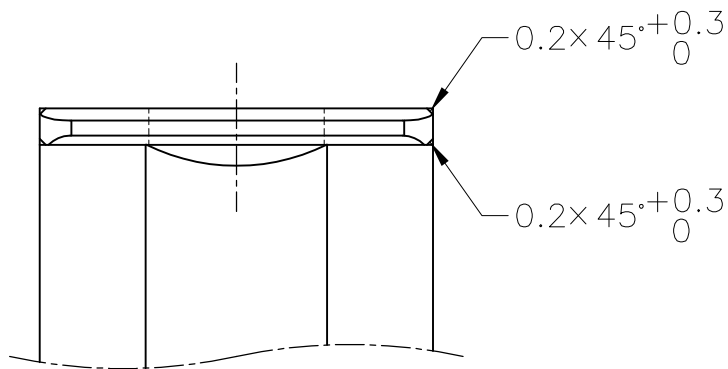
-. -. .

© COPYRIGHT - By Tyco Electronics Japan G.K.

ALL RIGHTS RESERVED.

LOC	DIST	REVISIONS					
J	-	P	LTR	DESCRIPTION	DATE	DWN	APVD
		-		SEE SHEET 1	-	-	-

ブラケット推奨寸法図
RECOMMENDED DIMENSION OF BRACKET



t = 1.2 ± 0.08

TOLERANCE UNLESS OTHERWISE SPECIFIED: 一般公差

0 < x ≤ 10	: ±0.2
10 < x ≤ 30	: ±0.25
30 < x ≤ 100	: ±0.3
ANGLE ; 角度	: ±3°

THIS DRAWING IS A CONTROLLED DOCUMENT.		DWN D.MATSUURA 06AUG2014	STE TE Connectivity	
DIMENSIONS: 単位: 耗 mm		CHK S.IWATANI 06AUG2014		
TOLERANCES UNLESS OTHERWISE SPECIFIED: 一般公差		APVD T.KOHNO 06AUG2014	NAME 名称 8Pos. ECONOSEAL J-MARKII+ CONNECTOR PLUG HOUSING	
0 PLC ± - 1 PLC ± - 2 PLC ± - 3 PLC ± - 4 PLC ± - ANGLES ± -		PRODUCT SPEC 製品規格	SIZE A3	
MATERIAL 材料		APPLICATION SPEC 取付適用規格	CAGE CODE 00779	DRAWING NO 番号 C-2822393
FINISH 仕上		WEIGHT	RESTRICTED TO -	
CUSTOMER DRAWING			SCALE 尺度 4:1	SHEET 2 OF 2
			REV A1	

Mouser Electronics

Authorized Distributor

Click to View Pricing, Inventory, Delivery & Lifecycle Information:

[TE Connectivity:](#)

[2822393-1](#)