

# Single Turn Trimmer

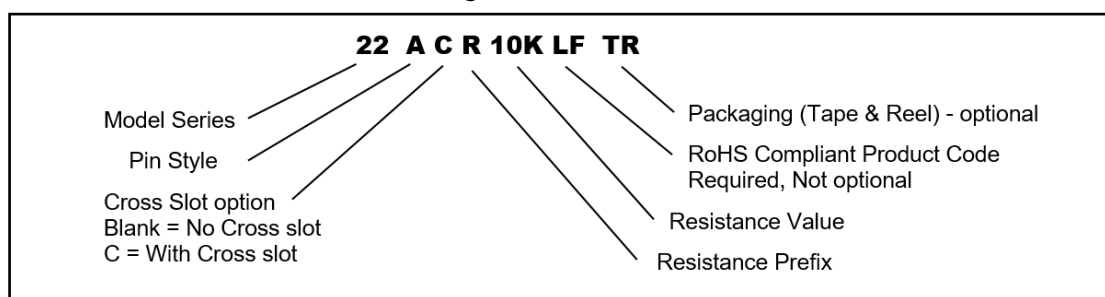
## Model 22



### Mechanical

Mechanical Stop	Solid
Mechanical Rotation	250° nominal
Stop Strength	1.3 in. oz Min (300 g-cm)
Torque	0.65 in. oz. Max. (150 g-cm)
Weight	0.002 oz. nominal (0.14 grams)
Wiper Position	Approximately 50% of Rt

### Ordering Information



### Packaging Information

Standard (no code): Boxes. Capacity = 100 units.

Option (TR code): Tape & Reel. All units oriented with #2 (slider) pin adjacent to sprocket holes.

	Pin Style	A	S
Tape	Width =	12 mm	16 mm
	Sprocket =	4 mm pitch	4 mm pitch
	Capacity =	1000 units	200 units
Reel	Diameter =	7" (178 mm)	10" (254 mm)

### Circuit Diagram



### Standard Resistance Values, Ohms

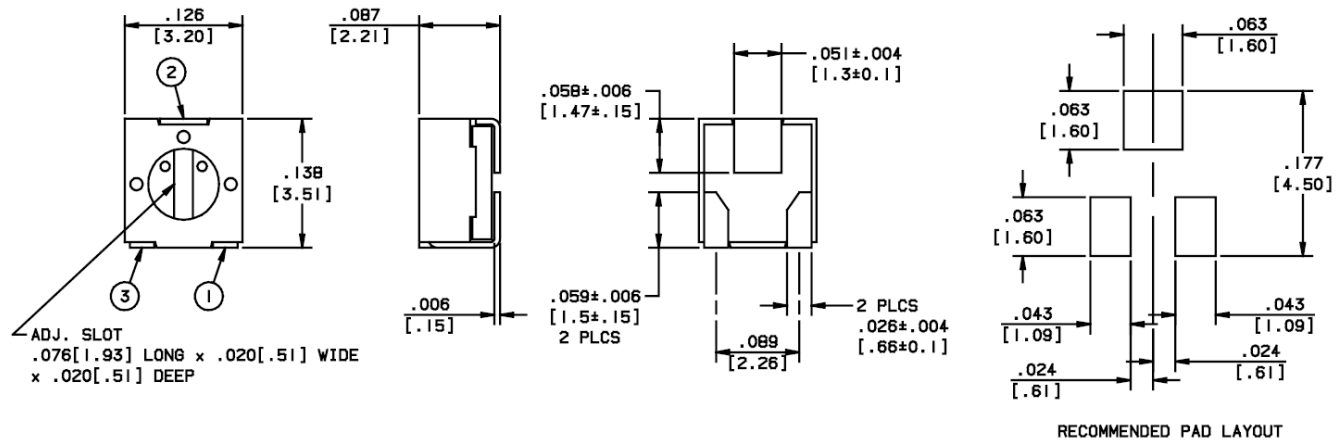
10	100	1K	10K	100K	1 Meg
20	200	2K	20K	200K	2 Meg
50	500	5K	50K	500K	

#### General Note

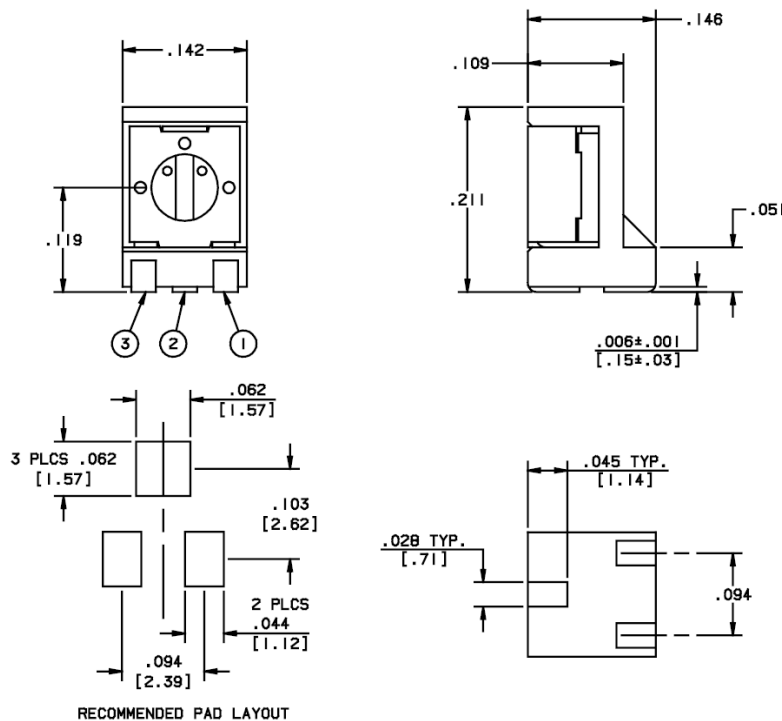
TT Electronics reserves the right to make changes in product specification without notice or liability. All information is subject to TT Electronics' own data and is considered accurate at time of going to print.

### Outline Drawings

#### Model 22A— Top Adjust



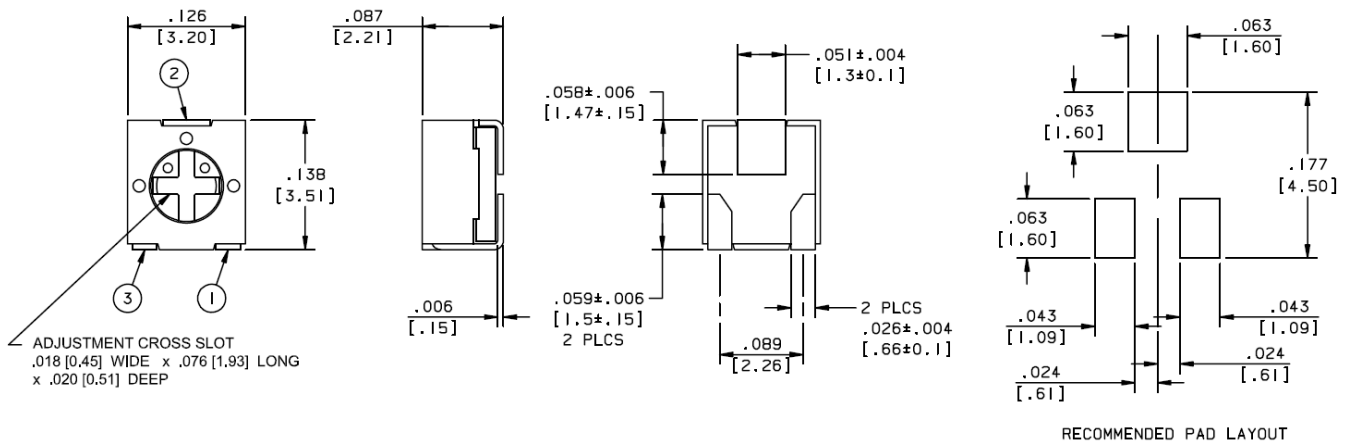
#### Model 22S—Side Adjust



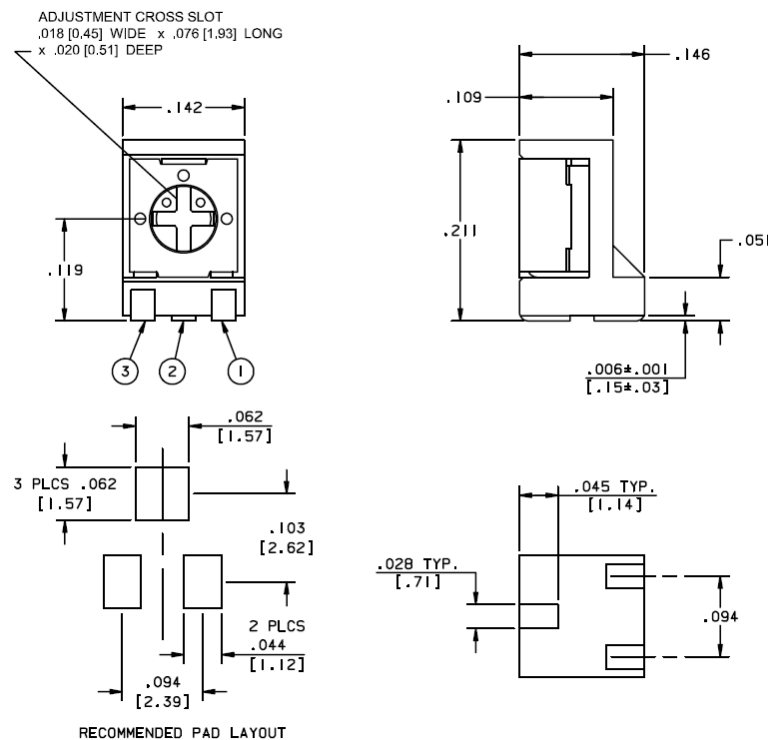
General Note  
 TT Electronics reserves the right to make changes in product specification without notice or liability. All information is subject to TT Electronics' own data and is considered accurate at time of going to print.

### Outline Drawings

#### Model 22AC—With Cross Slot adjustment



#### Model 22SC—With Cross Slot adjustment



General Note  
 TT Electronics reserves the right to make changes in product specification without notice or liability. All information is subject to TT Electronics' own data and is considered accurate at time of going to print.

TT Electronics | BI Technologies  
 Circulo de la Amistad #102 PIMSA IV Mexicali B.C. Mexico C.P 21210  
 Ph: + 1 (714) 447-2345  
[www.ttelectronics.com/bi-technologies](http://www.ttelectronics.com/bi-technologies)

# Mouser Electronics

Authorized Distributor

Click to View Pricing, Inventory, Delivery & Lifecycle Information:

## TT Electronics:

[22SR10KLFTR](#) [22AR500LFTR](#) [22AR100LFTR](#) [22AR2KLFTR](#) [22AR100KLFTR](#) [22AR500KLFTR](#) [22AR200KLFTR](#)  
[22AR10LFTR](#) [22AR50LFTR](#) [22AR2MLFTR](#) [22AR50KLFTR](#) [22AR10KLFTR](#) [22AR20KLFTR](#) [22AR1KLFTR](#)  
[22AR20LFTR](#) [22AR5KLFTR](#) [22SR100LFTR](#) [22SR5KLFTR](#)