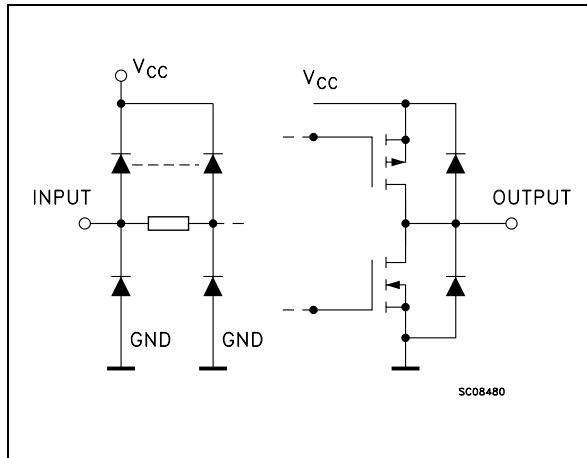


## INPUT AND OUTPUT EQUIVALENT CIRCUIT



## PIN DESCRIPTION

| PIN No       | SYMBOL                             | NAME AND FUNCTION       |
|--------------|------------------------------------|-------------------------|
| 1, 4, 10, 13 | $\overline{G1}$ to $\overline{G4}$ | Output Enable Inputs    |
| 2, 5, 9, 12  | A1 to A4                           | Data Inputs             |
| 3, 6, 8, 11  | Y1 to Y4                           | Data Outputs            |
| 7            | GND                                | Ground (0V)             |
| 14           | V <sub>CC</sub>                    | Positive Supply Voltage |

## TRUTH TABLE

| A | $\overline{G}$ | Y |
|---|----------------|---|
| X | H              | Z |
| L | L              | L |
| H | L              | H |

X : Don't Care  
Z : High Impedance

## ABSOLUTE MAXIMUM RATINGS

| Symbol                              | Parameter                            | Value                         | Unit |
|-------------------------------------|--------------------------------------|-------------------------------|------|
| V <sub>CC</sub>                     | Supply Voltage                       | -0.5 to +7                    | V    |
| V <sub>I</sub>                      | DC Input Voltage                     | -0.5 to V <sub>CC</sub> + 0.5 | V    |
| V <sub>O</sub>                      | DC Output Voltage                    | -0.5 to V <sub>CC</sub> + 0.5 | V    |
| I <sub>IK</sub>                     | DC Input Diode Current               | ± 20                          | mA   |
| I <sub>OK</sub>                     | DC Output Diode Current              | ± 20                          | mA   |
| I <sub>O</sub>                      | DC Output Current                    | ± 50                          | mA   |
| I <sub>CC</sub> or I <sub>GND</sub> | DC V <sub>CC</sub> or Ground Current | ± 200                         | mA   |
| T <sub>stg</sub>                    | Storage Temperature                  | -65 to +150                   | °C   |
| T <sub>L</sub>                      | Lead Temperature (10 sec)            | 300                           | °C   |

Absolute Maximum Ratings are those values beyond which damage to the device may occur. Functional operation under these conditions is not implied.

## RECOMMENDED OPERATING CONDITIONS

| Symbol          | Parameter   | Value                | Unit |
|-----------------|---|----------------------|------|
| V <sub>CC</sub> | Supply Voltage  | 4.5 to 5.5           | V    |
| V <sub>I</sub>  | Input Voltage   | 0 to V <sub>CC</sub> | V    |
| V <sub>O</sub>  | Output Voltage  | 0 to V <sub>CC</sub> | V    |
| T <sub>op</sub> | Operating Temperature   | -55 to 125           | °C   |
| dt/dv           | Input Rise and Fall Time V <sub>CC</sub> = 4.5 to 5.5V (note 1) | 8                    | ns/V |

1) V<sub>IN</sub> from 0.8V to 2.0V

## DC SPECIFICATIONS

| Symbol           | Parameter                             | Test Condition         |  | Value                 |       |       |             |      |              | Unit |      |
|------------------|---------------------------------------|------------------------|--|-----------------------|-------|-------|-------------|------|--------------|------|------|
|                  |                                       | V <sub>CC</sub><br>(V) |  | T <sub>A</sub> = 25°C |       |       | -40 to 85°C |      | -55 to 125°C |      |      |
|                  |                                       |                        |  | Min.                  | Typ.  | Max.  | Min.        | Max. | Min.         |      | Max. |
| V <sub>IH</sub>  | High Level Input Voltage              | 4.5                    | V <sub>O</sub> = 0.1 V or<br>V <sub>CC</sub> -0.1V   | 2.0                   | 1.5   |       | 2.0         |      | 2.0          |      | V    |
|                  |                                       | 5.5                    |  | 2.0                   | 1.5   |       | 2.0         |      | 2.0          |      |      |
| V <sub>IL</sub>  | Low Level Input Voltage               | 4.5                    | V <sub>O</sub> = 0.1 V or<br>V <sub>CC</sub> -0.1V   |                       | 1.5   | 0.8   |             | 0.8  |              | 0.8  | V    |
|                  |                                       | 5.5                    |  |                       | 1.5   | 0.8   |             | 0.8  |              | 0.8  |      |
| V <sub>OH</sub>  | High Level Output Voltage             | 4.5                    | I <sub>O</sub> =-50 μA   | 4.4                   | 4.49  |       | 4.4         |      | 4.4          |      | V    |
|                  |                                       | 5.5                    | I <sub>O</sub> =-50 μA   | 5.4                   | 5.49  |       | 5.4         |      | 5.4          |      |      |
|                  |                                       | 4.5                    | I <sub>O</sub> =-24 mA   | 3.86                  |       |       | 3.76        |      | 3.7          |      | V    |
|                  |                                       | 5.5                    | I <sub>O</sub> =-24 mA   | 4.86                  |       |       | 4.76        |      | 4.7          |      |      |
| V <sub>OL</sub>  | Low Level Output Voltage              | 4.5                    | I <sub>O</sub> =50 μA  |                       | 0.001 | 0.1   |             | 0.1  |              | 0.1  | V    |
|                  |                                       | 5.5                    | I <sub>O</sub> =50 μA  |                       | 0.001 | 0.1   |             | 0.1  |              | 0.1  |      |
|                  |                                       | 4.5                    | I <sub>O</sub> =24 mA  |                       |       | 0.36  |             | 0.44 |              | 0.5  | V    |
|                  |                                       | 5.5                    | I <sub>O</sub> =24 mA  |                       |       | 0.36  |             | 0.44 |              | 0.5  |      |
| I <sub>I</sub>   | Input Leakage Current                 | 5.5                    | V <sub>I</sub> = V <sub>CC</sub> or GND  |                       |       | ± 0.1 |             | ± 1  |              | ± 1  | μA   |
| I <sub>OZ</sub>  | High Impedance Output Leakage Current | 5.5                    | V <sub>I</sub> = V <sub>IH</sub> or V <sub>IL</sub><br>V <sub>O</sub> = V <sub>CC</sub> or GND |                       |       | ± 0.5 |             | ± 5  |              | ± 5  | mA   |
| I <sub>CCT</sub> | Max I <sub>CC</sub> /Input            | 5.5                    | V <sub>I</sub> = V <sub>CC</sub> - 2.1V  |                       | 0.6   |       |             | 1.5  |              | 1.6  | mA   |
| I <sub>CC</sub>  | Quiescent Supply Current              | 5.5                    | V <sub>I</sub> = V <sub>CC</sub> or GND  |                       |       | 4     |             | 40   |              | 80   | μA   |
| I <sub>OLD</sub> | Dynamic Output Current (note 1, 2)    | 5.5                    | V <sub>OLD</sub> = 1.65 V max  |                       |       |       |             | 75   |              | 50   | mA   |
| I <sub>OHD</sub> |                                       |                        | V <sub>OHD</sub> = 3.85 V min  |                       |       |       |             | -75  |              | -50  | mA   |

1) Maximum test duration 2ms, one output loaded at time

2) Incident wave switching is guaranteed on transmission lines with impedances as low as 50Ω

AC ELECTRICAL CHARACTERISTICS (C<sub>L</sub> = 50 pF, R<sub>L</sub> = 500 Ω, Input t<sub>r</sub> = t<sub>f</sub> = 3ns)

| Symbol                            | Parameter              | Test Condition         |  | Value                 |      |      |             |      |              | Unit |      |
|-----------------------------------|------------------------|------------------------|--|-----------------------|------|------|-------------|------|--------------|------|------|
|                                   |                        | V <sub>CC</sub><br>(V) |  | T <sub>A</sub> = 25°C |      |      | -40 to 85°C |      | -55 to 125°C |      |      |
|                                   |                        |                        |  | Min.                  | Typ. | Max. | Min.        | Max. | Min.         |      | Max. |
| t <sub>PLH</sub> t <sub>PHL</sub> | Propagation Delay Time | 5.0(*)                 |  | 1.0                   | 5.0  | 9.0  | 1.0         | 10.0 | 1.0          | 10.0 | ns   |
| t <sub>PZL</sub> t <sub>PZH</sub> | Output Enable Time     | 5.0(*)                 |  | 1.0                   | 5.0  | 9.0  | 1.0         | 10.0 | 1.0          | 10.0 | ns   |
| t <sub>PLZ</sub> t <sub>PHZ</sub> | Output Disable Time    | 5.0(*)                 |  | 1.0                   | 5.0  | 9.0  | 1.0         | 10.0 | 1.0          | 10.0 | ns   |

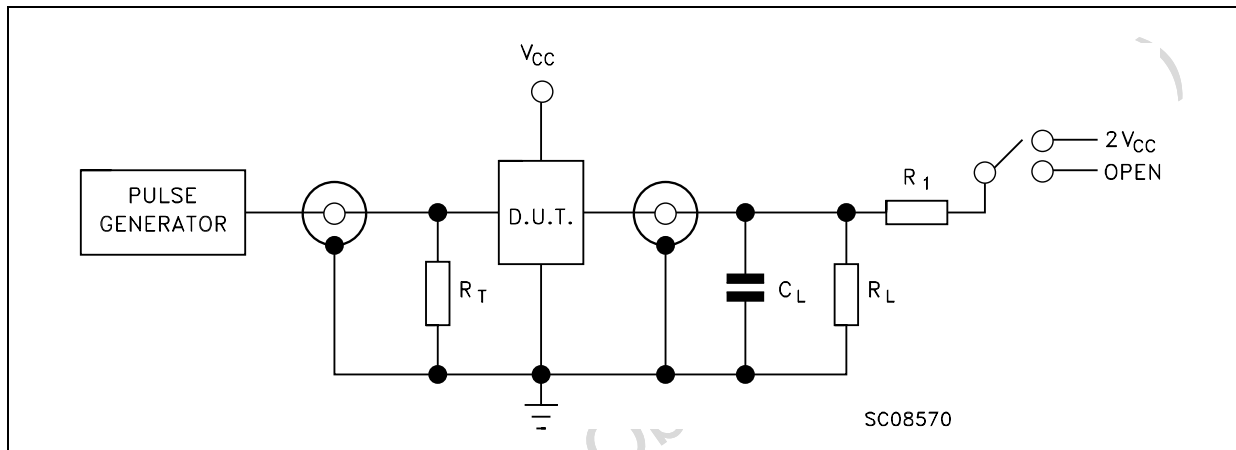
(\*) Voltage range is 5.0V ± 0.5V

**CAPACITIVE CHARACTERISTICS**

| Symbol           | Parameter                              | Test Condition         |                         | Value                 |      |      |             |      |              | Unit |      |
|------------------|--|------------------------|-------------------------|-----------------------|------|------|-------------|------|--------------|------|------|
|                  |  | V <sub>CC</sub><br>(V) |                         | T <sub>A</sub> = 25°C |      |      | -40 to 85°C |      | -55 to 125°C |      |      |
|                  |  |                        |                         | Min.                  | Typ. | Max. | Min.        | Max. | Min.         |      | Max. |
| C <sub>IN</sub>  | Input Capacitance                      | 5.0                    |                         |                       | 4    |      |             |      |              |      | pF   |
| C <sub>OUT</sub> | Output Capacitance                     | 5.0                    |                         |                       | 9    |      |             |      |              |      | pF   |
| C <sub>PD</sub>  | Power Dissipation Capacitance (note 1) | 5.0                    | f <sub>IN</sub> = 10MHz |                       | 20   |      |             |      |              |      | pF   |

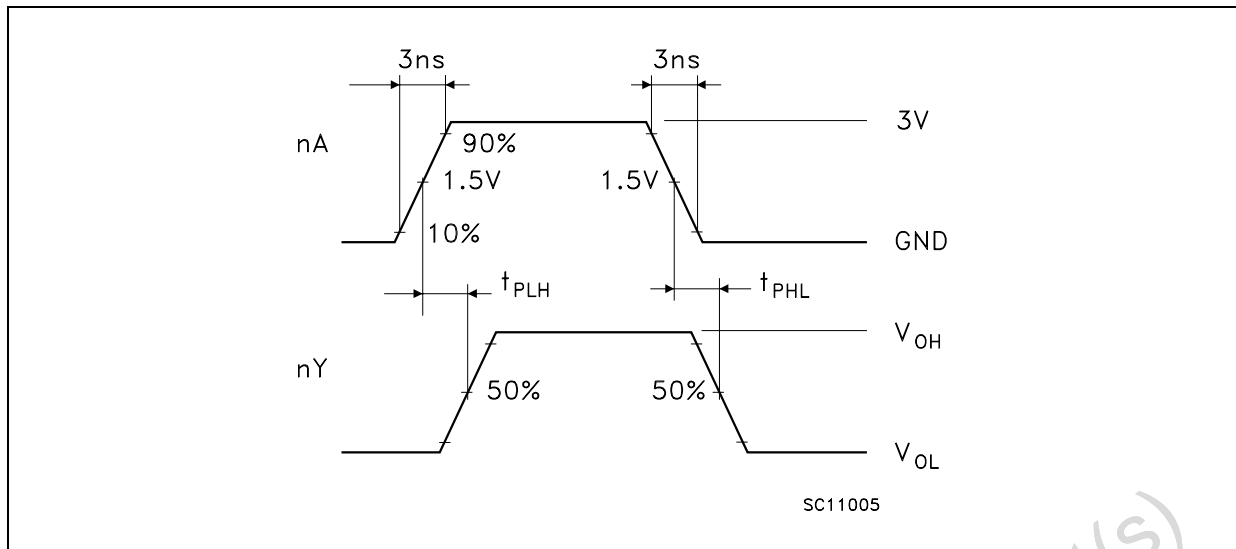
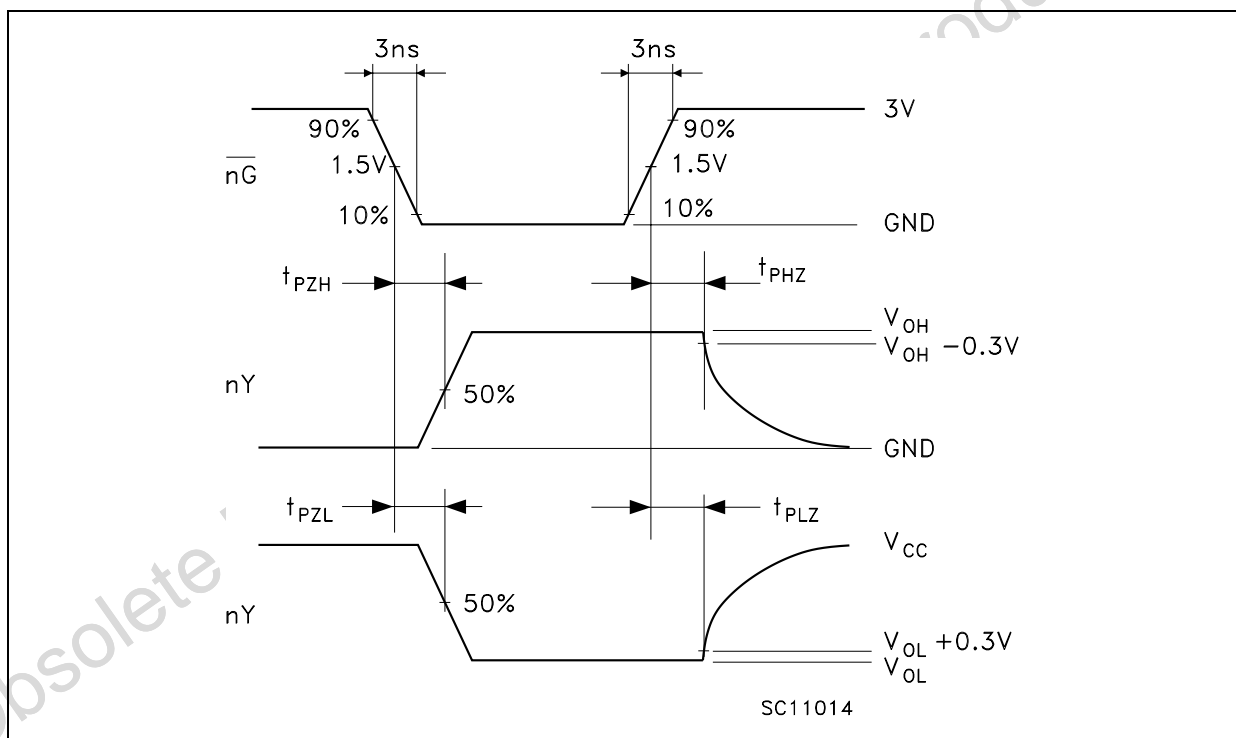
1) C<sub>PD</sub> is defined as the value of the IC's internal equivalent capacitance which is calculated from the operating current consumption without load. (Refer to Test Circuit). Average operating current can be obtained by the following equation. I<sub>CC(opr)</sub> = C<sub>PD</sub> × V<sub>CC</sub> × f<sub>IN</sub> + I<sub>CC</sub>/4 (per buffer)

**TEST CIRCUIT**



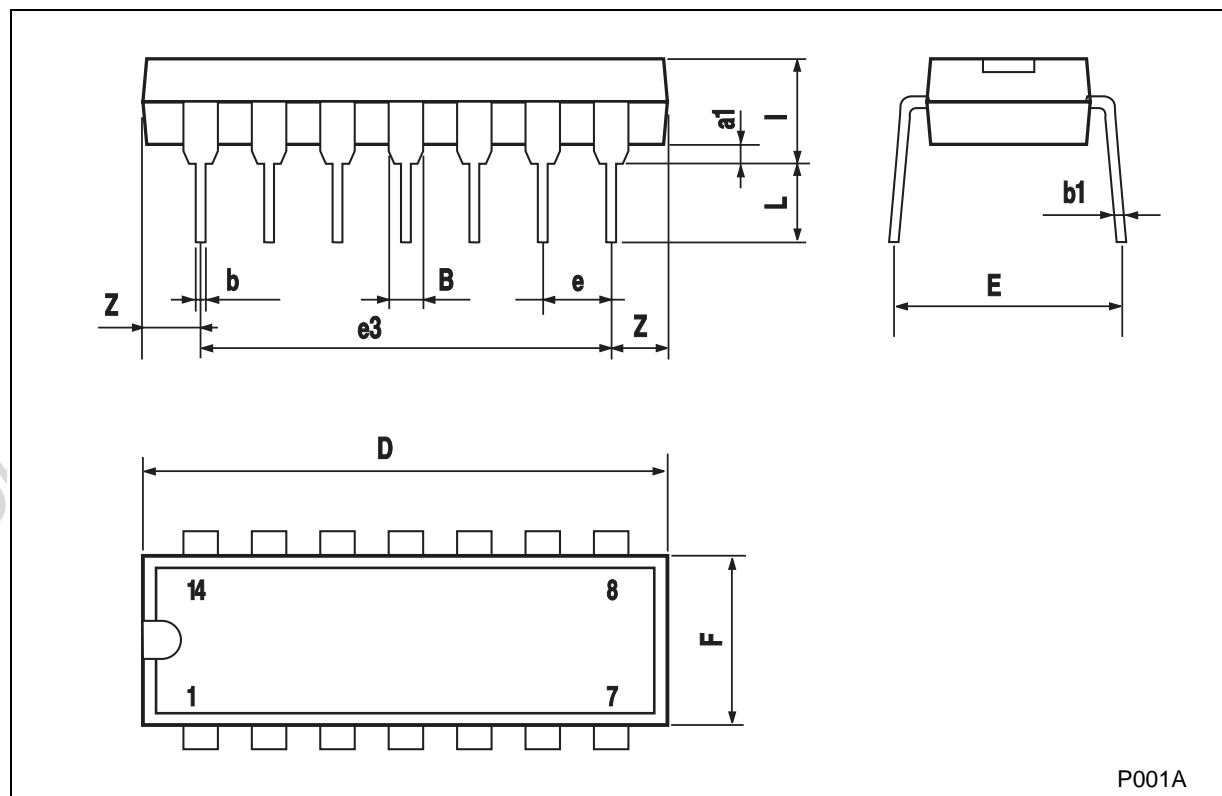
| TEST                                | SWITCH           |
|-------------------------------------|------------------|
| t <sub>PLH</sub> , t <sub>PHL</sub> | Open             |
| t <sub>PZL</sub> , t <sub>PLZ</sub> | 2V <sub>CC</sub> |
| t <sub>PZH</sub> , t <sub>PHZ</sub> | Open             |

C<sub>L</sub> = 50pF or equivalent (includes jig and probe capacitance)  
 R<sub>L</sub> = R<sub>1</sub> = 500Ω or equivalent  
 R<sub>T</sub> = Z<sub>OUT</sub> of pulse generator (typically 50Ω)

**WAVEFORM 1: PROPAGATION DELAYS** ( $f=1\text{MHz}$ ; 50% duty cycle)**WAVEFORM 2: OUTPUT ENABLE AND DISABLE TIME** ( $f=1\text{MHz}$ ; 50% duty cycle)

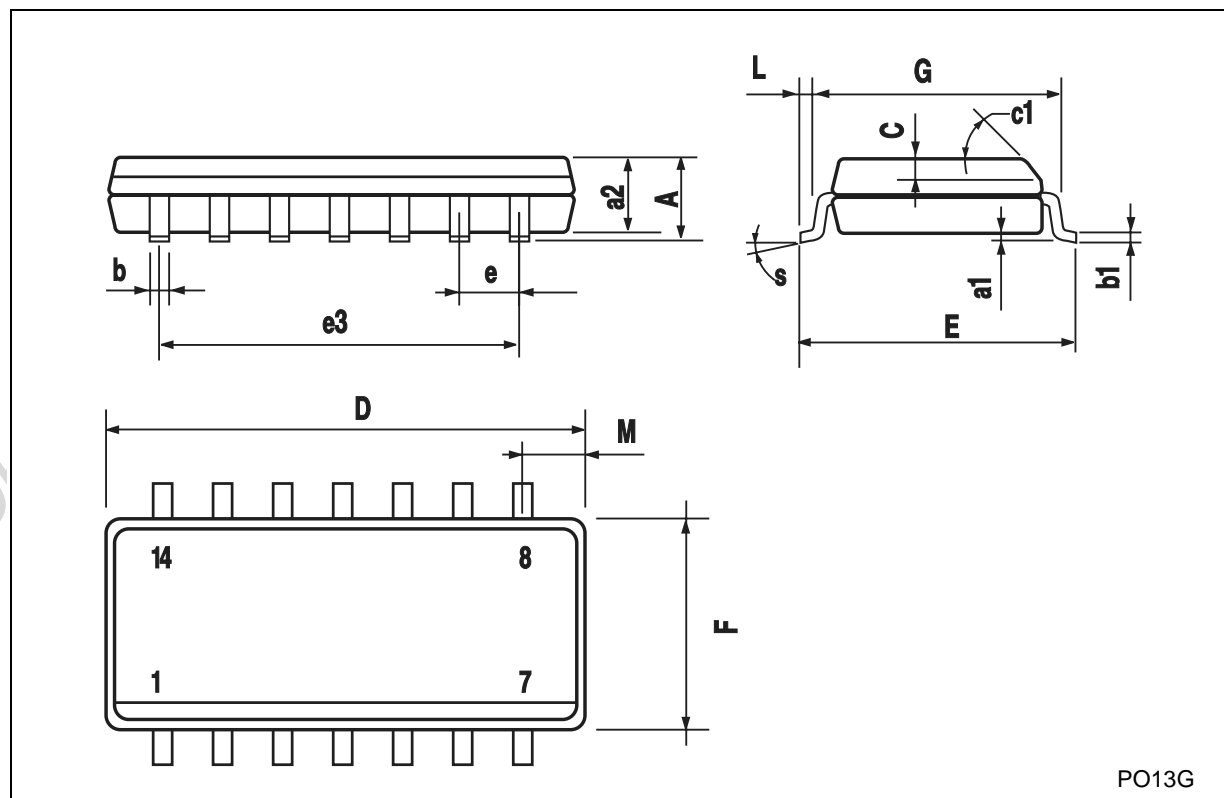
|                                       |  |  |  |  |  |  |
|---------------------------------------|--|--|--|--|--|--|
| <b>Plastic DIP-14 MECHANICAL DATA</b> |  |  |  |  |  |  |
|---------------------------------------|--|--|--|--|--|--|

| DIM. | mm.  |       |      | inch  |       |       |
|------|------|-------|------|-------|-------|-------|
|      | MIN. | TYP   | MAX. | MIN.  | TYP.  | MAX.  |
| a1   | 0.51 |       |      | 0.020 |       |       |
| B    | 1.39 |       | 1.65 | 0.055 |       | 0.065 |
| b    |      | 0.5   |      |       | 0.020 |       |
| b1   |      | 0.25  |      |       | 0.010 |       |
| D    |      |       | 20   |       |       | 0.787 |
| E    |      | 8.5   |      |       | 0.335 |       |
| e    |      | 2.54  |      |       | 0.100 |       |
| e3   |      | 15.24 |      |       | 0.600 |       |
| F    |      |       | 7.1  |       |       | 0.280 |
| I    |      |       | 5.1  |       |       | 0.201 |
| L    |      | 3.3   |      |       | 0.130 |       |
| Z    | 1.27 |       | 2.54 | 0.050 |       | 0.100 |



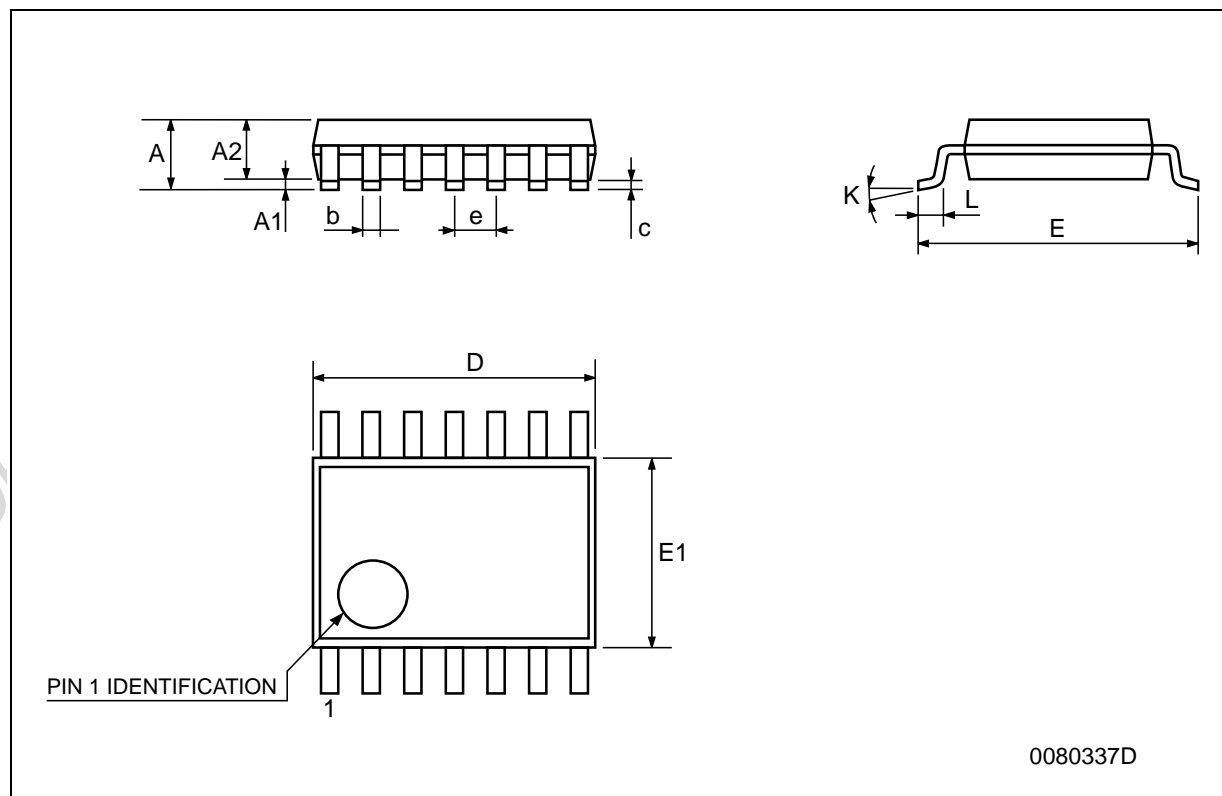
## SO-14 MECHANICAL DATA

| DIM. | mm.        |      |      | inch  |       |       |
|------|------------|------|------|-------|-------|-------|
|      | MIN.       | TYP. | MAX. | MIN.  | TYP.  | MAX.  |
| A    |            |      | 1.75 |       |       | 0.068 |
| a1   | 0.1        |      | 0.2  | 0.003 |       | 0.007 |
| a2   |            |      | 1.65 |       |       | 0.064 |
| b    | 0.35       |      | 0.46 | 0.013 |       | 0.018 |
| b1   | 0.19       |      | 0.25 | 0.007 |       | 0.010 |
| C    |            | 0.5  |      |       | 0.019 |       |
| c1   | 45° (typ.) |      |      |       |       |       |
| D    | 8.55       |      | 8.75 | 0.336 |       | 0.344 |
| E    | 5.8        |      | 6.2  | 0.228 |       | 0.244 |
| e    |            | 1.27 |      |       | 0.050 |       |
| e3   |            | 7.62 |      |       | 0.300 |       |
| F    | 3.8        |      | 4.0  | 0.149 |       | 0.157 |
| G    | 4.6        |      | 5.3  | 0.181 |       | 0.208 |
| L    | 0.5        |      | 1.27 | 0.019 |       | 0.050 |
| M    |            |      | 0.68 |       |       | 0.026 |
| S    | 8° (max.)  |      |      |       |       |       |



## TSSOP14 MECHANICAL DATA

| DIM. | mm.  |          |      | inch  |            |        |
|------|------|----------|------|-------|------------|--------|
|      | MIN. | TYP      | MAX. | MIN.  | TYP.       | MAX.   |
| A    |      |          | 1.2  |       |            | 0.047  |
| A1   | 0.05 |          | 0.15 | 0.002 | 0.004      | 0.006  |
| A2   | 0.8  | 1        | 1.05 | 0.031 | 0.039      | 0.041  |
| b    | 0.19 |          | 0.30 | 0.007 |            | 0.012  |
| c    | 0.09 |          | 0.20 | 0.004 |            | 0.0089 |
| D    | 4.9  | 5        | 5.1  | 0.193 | 0.197      | 0.201  |
| E    | 6.2  | 6.4      | 6.6  | 0.244 | 0.252      | 0.260  |
| E1   | 4.3  | 4.4      | 4.48 | 0.169 | 0.173      | 0.176  |
| e    |      | 0.65 BSC |      |       | 0.0256 BSC |        |
| K    | 0°   |          | 8°   | 0°    |            | 8°     |
| L    | 0.45 | 0.60     | 0.75 | 0.018 | 0.024      | 0.030  |



Obsolete Product(s) - Obsolete Product(s)

Information furnished is believed to be accurate and reliable. However, STMicroelectronics assumes no responsibility for the consequences of use of such information nor for any infringement of patents or other rights of third parties which may result from its use. No license is granted by implication or otherwise under any patent or patent rights of STMicroelectronics. Specifications mentioned in this publication are subject to change without notice. This publication supersedes and replaces all information previously supplied. STMicroelectronics products are not authorized for use as critical components in life support devices or systems without express written approval of STMicroelectronics.

© The ST logo is a registered trademark of STMicroelectronics

© 2001 STMicroelectronics - Printed in Italy - All Rights Reserved  
STMicroelectronics GROUP OF COMPANIES

Australia - Brazil - China - Finland - France - Germany - Hong Kong - India - Italy - Japan - Malaysia - Malta - Morocco  
Singapore - Spain - Sweden - Switzerland - United Kingdom

© <http://www.st.com>





# Mouser Electronics

Authorized Distributor

Click to View Pricing, Inventory, Delivery & Lifecycle Information:

[STMicroelectronics:](#)

[74ACT125MTR](#) [74ACT125TTR](#) [74ACT125B](#) [74ACT125M](#)