

## ABSOLUTE MAXIMUM RATINGS

(Note 1)

|   |                                 |
|---|---------------------------------|
| Power Supply Voltage .....                                    | 5.5V                            |
| Enable Voltage .....  | 0, $V_{CC}$                     |
| LO <sup>+</sup> to LO <sup>-</sup> Differential Voltage ..... | $\pm 2V$<br>(+10dBm Equivalent) |
| RF <sup>+</sup> to RF <sup>-</sup> Differential Voltage ..... | $\pm 2V$<br>(+10dBm Equivalent) |
| Operating Ambient Temperature .....                           | -40°C to 85°C                   |
| Storage Temperature Range .....                               | -65°C to 125°C                  |
| Maximum Junction Temperature .....                            | 125°C                           |

## PACKAGE/ORDER INFORMATION

|  |                   |
|--|-------------------|
| <p>TOP VIEW</p> <p>16-LEAD (4mm × 4mm) PLASTIC QFN<br/>EXPOSED PAD (PIN 17) IS GND,<br/>MUST BE SOLDERED TO PCB<br/><math>T_{JMAX} = 125^{\circ}C</math>, <math>\theta_{JA} = 38^{\circ}C/W</math></p>                   | ORDER PART NUMBER |
|  | LT5515EUF         |
|  | UF PART MARKING   |
|  | 5515              |
| <p><b>Order Options</b> Tape and Reel: Add #TR<br/>Lead Free: Add #PBF Lead Free Tape and Reel: Add #TRPBF<br/>Lead Free Part Marking: <a href="http://www.linear.com/leadfree/">http://www.linear.com/leadfree/</a></p> |                   |

Consult LTC Marketing for parts specified with wider operating temperature ranges.

## AC ELECTRICAL CHARACTERISTICS

$T_A = 25^{\circ}C$ ,  $V_{CC} = 5V$ ,  $f_{RF1} = 1899.9MHz$ ,  $f_{RF2} = 1900.1MHz$ ,  $f_{LO} = 1901MHz$ ,  $P_{LO} = -5dBm$  unless otherwise noted. (Notes 2, 3) (Test circuit shown in Figure 2)

| PARAMETER                 | CONDITIONS                               | MIN | TYP        | MAX | UNITS    |
|---------------------------|--|-----|------------|-----|----------|
| Frequency Range           |  |     | 1.5 to 2.5 |     | GHz      |
| LO Power                  |  |     | -10 to 0   |     | dBm      |
| Conversion Gain           | Voltage Gain, Load Impedance = 1k        | -3  | -0.7       |     | dB       |
| Noise Figure              |  |     | 16.8       |     | dB       |
| Input 3rd Order Intercept | 2-Tone, -10dBm/Tone, $\Delta f = 200kHz$ |     | 20         |     | dBm      |
| Input 2nd Order Intercept | 2-Tone, -10dBm/Tone, $\Delta f = 200kHz$ |     | 51         |     | dBm      |
| Input 1dB Compression     |  |     | 9          |     | dBm      |
| Baseband Bandwidth        |  |     | 260        |     | MHz      |
| I/Q Gain Mismatch         | (Note 4)                                 |     | 0.3        | 0.7 | dB       |
| I/Q Phase Mismatch        | (Note 4)                                 |     | 1          |     | deg      |
| Output Impedance          | Differential                             |     | 120        |     | $\Omega$ |
| LO to RF Leakage          |  |     | -46        |     | dBm      |
| RF to LO Isolation        |  |     | 46         |     | dB       |

## DC ELECTRICAL CHARACTERISTICS $T_A = 25^\circ\text{C}$ . $V_{CC} = 5\text{V}$ unless otherwise noted.

| PARAMETER   | CONDITIONS  | MIN | TYP | MAX  | UNITS                        |
|---|---|-----|-----|------|------------------------------|
| Supply Voltage  |   | 4   |     | 5.25 | V                            |
| Supply Current  |   | 95  | 125 | 160  | mA                           |
| Shutdown Current  | EN = Low  |     |     | 20   | $\mu\text{A}$                |
| Turn-On Time  |   |     | 120 |      | ns                           |
| Turn-Off Time   |   |     | 650 |      | ns                           |
| EN = High (On)  |   | 1.6 |     |      | V                            |
| EN = Low (Off)  |   |     |     | 1.3  | V                            |
| EN Input Current  | $V_{\text{ENABLE}} = 5\text{V}$                                   |     | 2   |      | $\mu\text{A}$                |
| Output DC Offset Voltage<br>( $ I_{\text{OUT}^+} - I_{\text{OUT}^-} $ , $ Q_{\text{OUT}^+} - Q_{\text{OUT}^-} $ ) | $f_{\text{LO}} = 1901\text{MHz}$ , $P_{\text{LO}} = -5\text{dBm}$ |     | 4   | 25   | mV                           |
| Output DC Offset Variation vs Temperature   | $-40^\circ\text{C}$ to $85^\circ\text{C}$                         |     | 30  |      | $\mu\text{V}/^\circ\text{C}$ |

**Note 1:** Stresses beyond those listed under Absolute Maximum Ratings may cause permanent damage to the device. Exposure to any Absolute Maximum Rating condition for extended periods may affect device reliability and lifetime.

**Note 2:** Tests are performed as shown in the configuration of Figure 2 with  $R1 = 8.2\Omega$ , unless otherwise noted.

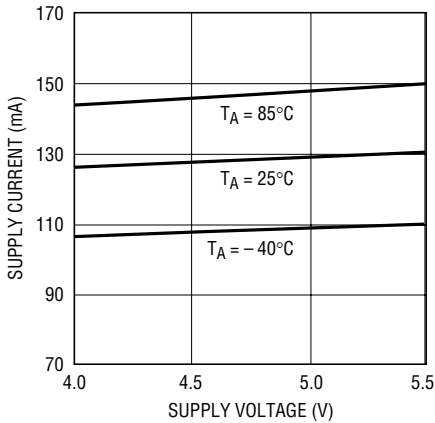
**Note 3:** Specifications over the  $-40^\circ\text{C}$  to  $85^\circ\text{C}$  temperature range are assured by design, characterization and correlation with statistical process control.

**Note 4:** Measured at  $P_{\text{RF}} = -5\text{dBm}$  and output frequency = 1MHz.

# TYPICAL PERFORMANCE CHARACTERISTICS

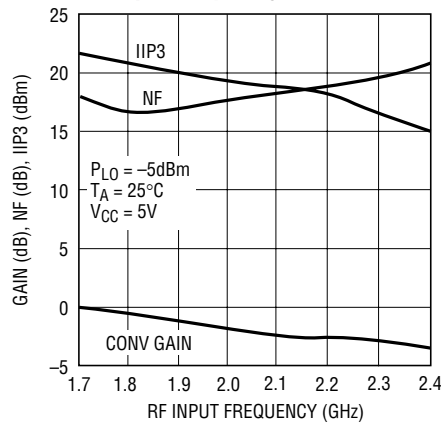
(Test circuit optimized for 1.9GHz operation as shown in Figure 2)

Supply Current vs Supply Voltage



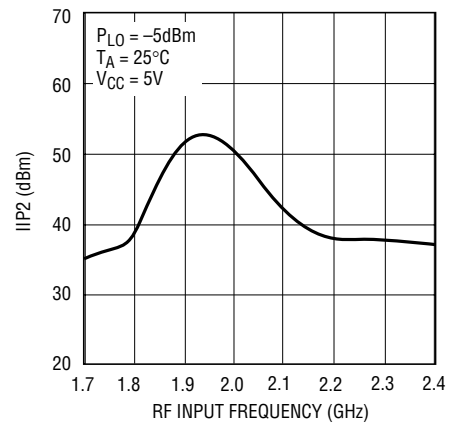
5515 \* G01

Conv Gain, NF, IIP3 vs RF Input Frequency



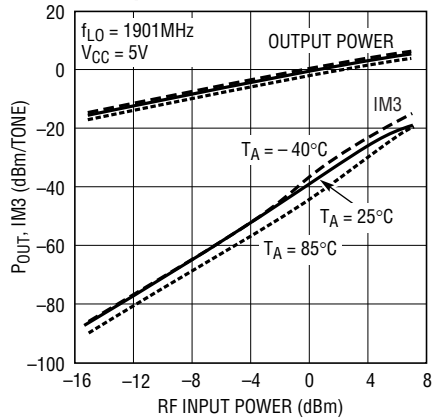
5515 \* G02

IIP2 vs RF Input Frequency



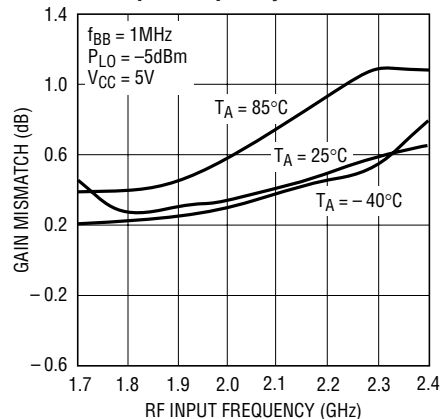
5515 \* G03

I/Q Output Power, IM3 vs RF Input Power



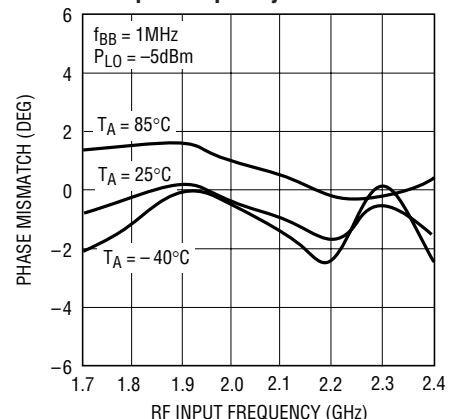
5515 \* G04

I/Q Gain Mismatch vs RF Input Frequency



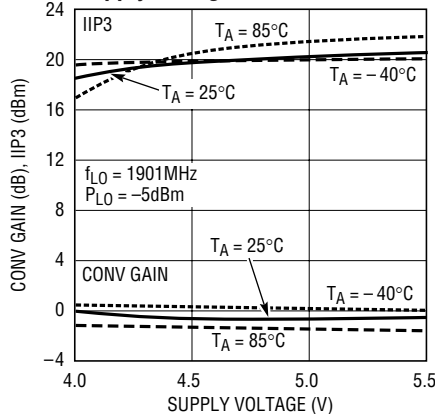
5515 \* G05

I/Q Phase Mismatch vs RF Input Frequency



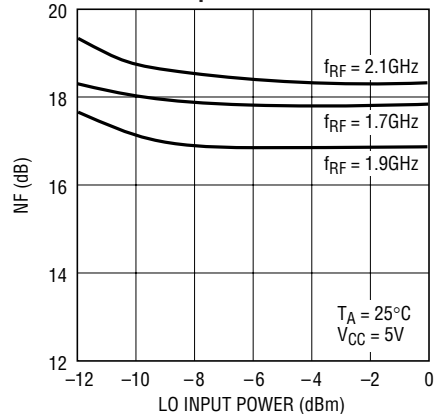
5515 \* G06

Conv Gain, IIP3 vs Supply Voltage



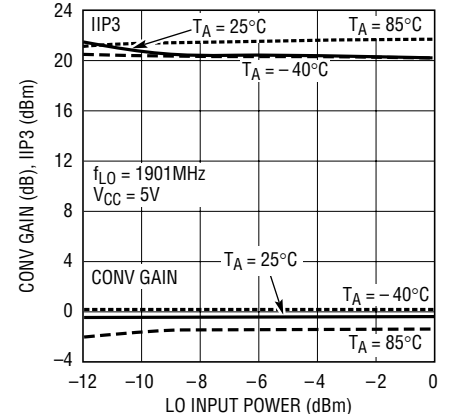
5515 \* G07

NF vs LO Input Power



5515 \* G08

Conv Gain, IIP3 vs LO Input Power



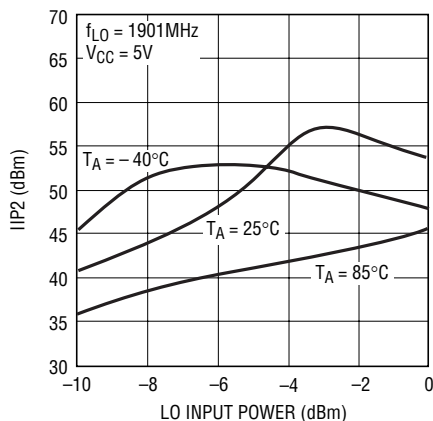
5515 \* G09

5515fa

# TYPICAL PERFORMANCE CHARACTERISTICS

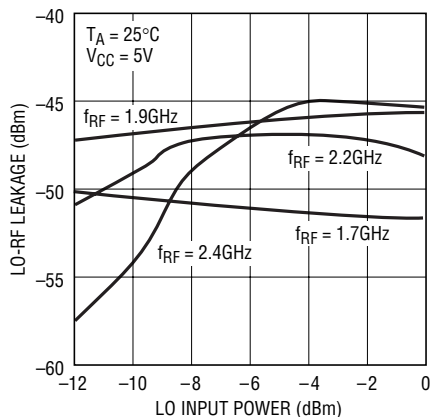
(Test circuit optimized for 1.9GHz operation as shown in Figure 2)

**IIP2 vs LO Input Power**



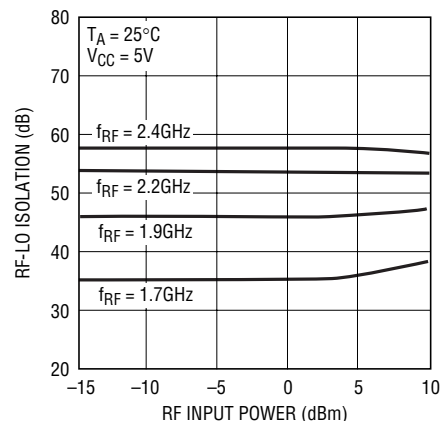
5515 ✕ G10

**LO-RF Leakage vs LO Input Power**



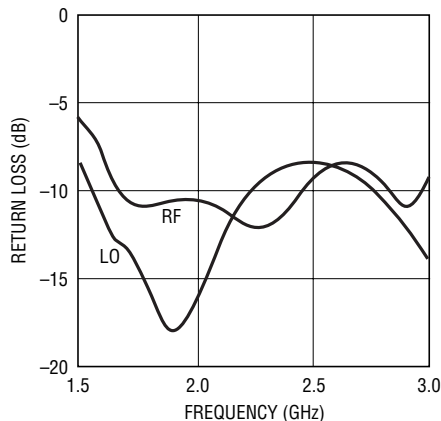
5515 ✕ G11

**RF-LO Isolation vs RF Input Power**



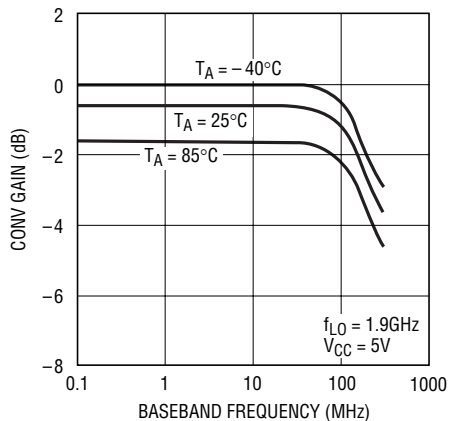
5515 ✕ G12

**RF, LO Port Return Loss vs Frequency**



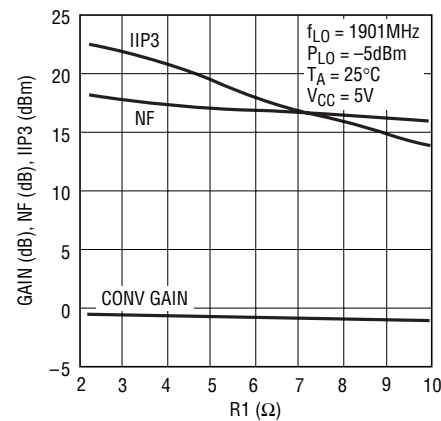
5515 ✕ G13

**Conv Gain vs Baseband Frequency**



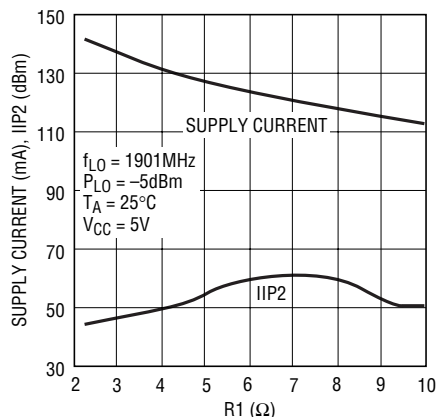
5515 ✕ G14

**Conv Gain, NF, IIP3 vs R1**



5515 ✕ G15

**Supply Current, IIP2 vs R1**



5515 ✕ G16

## PIN FUNCTIONS

**GND (Pins 1, 4):** Ground Pin.

**RF<sup>+</sup>, RF<sup>-</sup> (Pins 2, 3):** Differential RF Input Pins. These pins are internally biased to 1.54V. They must be driven with a differential signal. An external matching network is required for impedance transformation.

**V<sub>CC</sub> (Pins 5, 8, 9, 12):** Power Supply Pins. These pins should be decoupled using 1000pF and 0.1μF capacitors.

**V<sub>CM</sub> (Pin 6):** Common Mode and DC Return for the I-Mixer and Q-Mixer. An external resistor must be connected between this pin and ground to set the DC bias current of the I/Q demodulator.

**EN (Pin 7):** Enable Pin. When the input voltage is higher than 1.6V, the circuit is completely turned on. When the input voltage is less than 1.3V, the circuit is turned off.

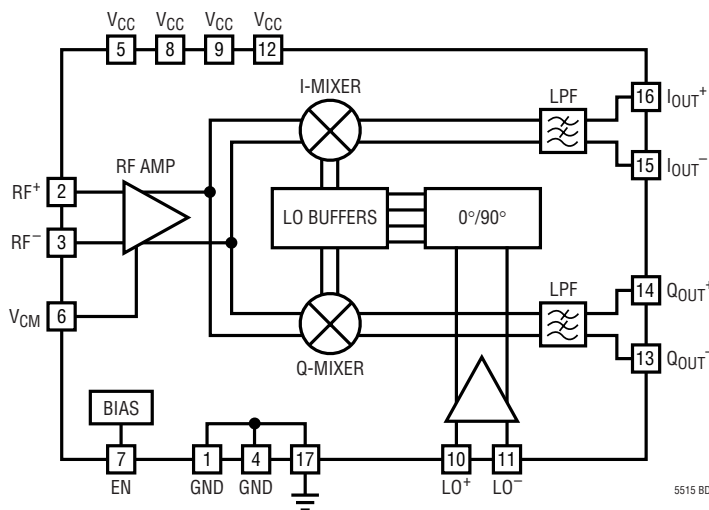
**LO<sup>+</sup>, LO<sup>-</sup> (Pins 10, 11):** Differential Local Oscillator Input Pins. These pins are internally biased to 2.44V. They can be driven single-ended by connecting one to an AC ground through a 1000pF capacitor. However, differential input drive is recommended to minimize LO feedthrough to the RF input pins.

**Q<sub>OUT</sub><sup>-</sup>, Q<sub>OUT</sub><sup>+</sup> (Pins 13, 14):** Differential Baseband Output Pins of the Q-Channel. The internal DC bias voltage is V<sub>CC</sub> - 0.85V for each pin.

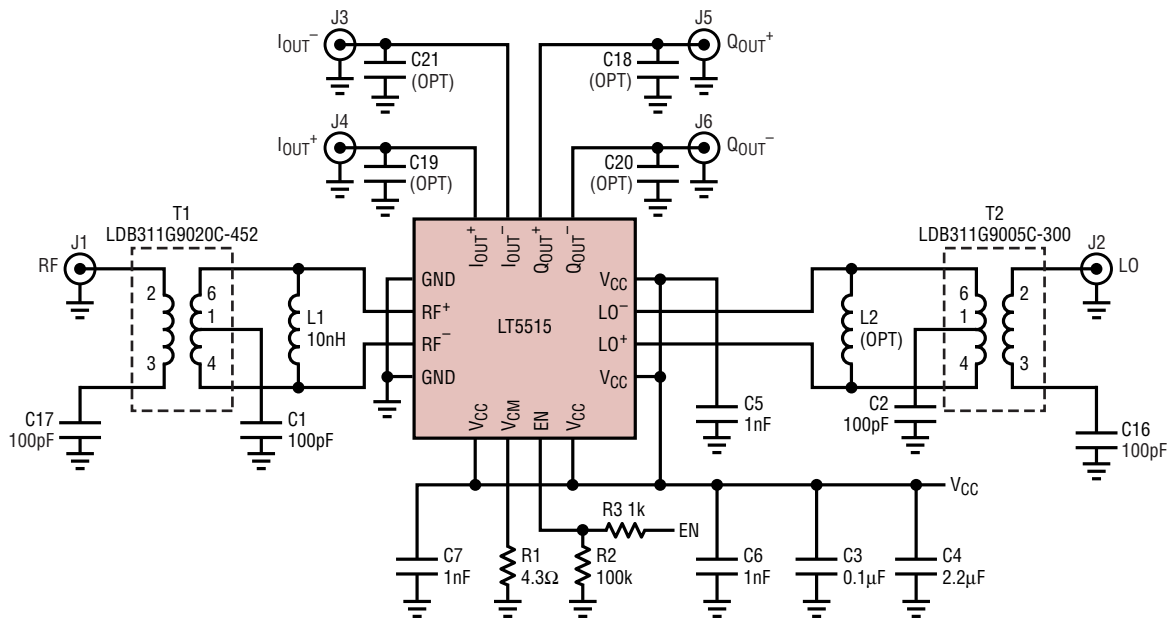
**I<sub>OUT</sub><sup>-</sup>, I<sub>OUT</sub><sup>+</sup> (Pins 15, 16):** Differential Baseband Output Pins of the I-Channel. The internal DC bias voltage is V<sub>CC</sub> - 0.85V for each pin.

**GROUND (Pin 17, Backside Contact):** Ground Return for the Entire IC. This pin must be soldered to the printed circuit board ground plane.

## BLOCK DIAGRAM



TEST CIRCUITS



| REFERENCE DESIGNATION | VALUE | SIZE | PART NUMBER             |
|-----------------------|-------|------|-------------------------|
| C1, C2, C16, C17      | 100pF | 0402 | AVX 04025C101JAT        |
| C5, C6, C7            | 1nF   | 0402 | AVX 04025C102JAT        |
| C3                    | 0.1μF | 0402 | AVX 0402ZD104KAT        |
| C4                    | 2.2μF | 3216 | AVX TPSA225M010R1800    |
| L1                    | 10nH  | 0402 | Murata LQP15M           |
| R1                    | 4.3Ω  | 0402 |                         |
| R2                    | 100k  | 0402 |                         |
| R3                    | 1k    | 0402 |                         |
| T1                    | 1:4   |      | Murata LDB311G9020C-452 |
| T2                    | 1:1   |      | Murata LDB311G9005C-300 |

5515 F02

Figure 2. Evaluation Circuit Schematic for 1900MHz PCS/UMTS Application

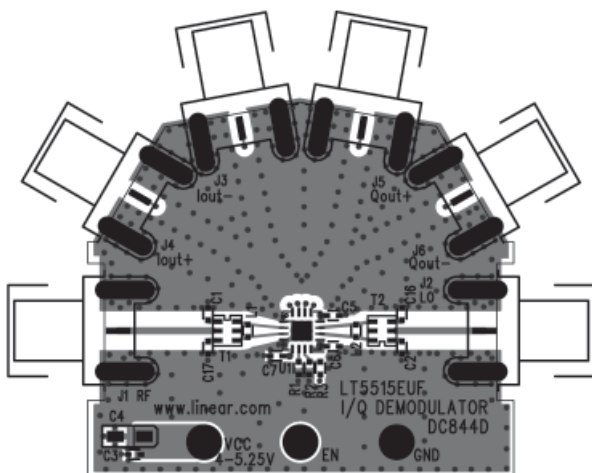


Figure 3. Topside of Evaluation Board

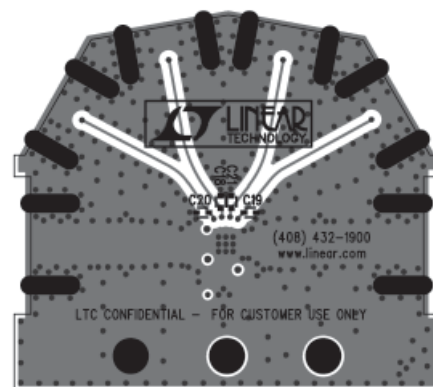


Figure 4. Bottom Side of Evaluation Board

## APPLICATIONS INFORMATION

The LT5515 is a direct I/Q demodulator targeting high linearity receiver applications, including wireless infrastructure. It consists of an RF amplifier, I/Q mixers, a quadrature LO carrier generator and bias circuitry.

The RF signal is applied to the inputs of the RF amplifier and is then demodulated into I/Q baseband signals using quadrature LO signals. The quadrature LO signals are internally generated by precision 90° phase shifters. The demodulated I/Q signals are lowpass filtered internally with a –3dB bandwidth of 260MHz. The differential outputs of the I-channel and Q-channel are well matched in amplitude; their phases are 90° apart.

### RF Input Port

Differential drive is highly recommended for the RF inputs to minimize the LO feedthrough to the RF port and to maximize gain. (See Figure 2.) A 1:4 transformer is used on the demonstration board for wider bandwidth matching. To assure good NF and maximize the demodulator gain, a low loss transformer is employed. Shunt inductor L1, with high resonance frequency, is required for proper impedance matching. Single-ended to differential conversion can also be implemented using narrow band, discrete L-C circuits to produce the required balanced waveforms at the RF<sup>+</sup> and RF<sup>-</sup> inputs. The differential impedance of the RF inputs is listed in Table 1.

**Table 1. RF Input Differential Impedance**

| FREQUENCY<br>(GHz) | DIFFERENTIAL INPUT<br>IMPEDANCE (Ω) | DIFFERENTIAL S11 |          |
|--------------------|-------------------------------------|------------------|----------|
|                    |                                     | MAG              | ANGLE(°) |
| 1.5                | 115.7-j132.7                        | 0.698            | -24.9    |
| 1.6                | 111.7-j128.1                        | 0.689            | -25.9    |
| 1.7                | 108.1-j123.7                        | 0.681            | -26.8    |
| 1.8                | 104.8-j120.2                        | 0.674            | -27.7    |
| 1.9                | 101.7-j116.9                        | 0.667            | -28.5    |
| 2.0                | 98.8-j113.8                         | 0.661            | -29.4    |
| 2.1                | 96.0-j111.1                         | 0.655            | -30.2    |
| 2.2                | 93.3-j108.7                         | 0.650            | -31.1    |
| 2.3                | 90.7-j106.2                         | 0.645            | -32.0    |
| 2.4                | 88.3-j104.2                         | 0.641            | -32.8    |
| 2.5                | 85.9-j102.2                         | 0.637            | -33.7    |

The RF<sup>+</sup> and RF<sup>-</sup> inputs (Pins 2, 3) are internally biased at 1.54V. These two pins should be DC blocked when connected to ground or other matching components. The RF input equivalent circuit is shown in Figure 5.

A 4.3Ω resistor (R1) is connected to Pin 6 (V<sub>CM</sub>) to set the optimum DC current for I/Q mixer linearity. The trade-off of the NF and IIP3 as a function of R1 is shown in the “Typical Performance Characteristics”. When a smaller R1 is used for better linearity, the total supply current will increase. A 5V ±5% power supply is recommended to assure high linearity performance.

### LO Input Port

The LO inputs (Pins 10,11) should be driven differentially to minimize LO feedthrough to the RF port. This can be accomplished by means of a single-ended to differential conversion as shown in Figure 2. L4, the 12nH shunt inductor, serves to tune out the capacitive component of the LO differential input. The resonance frequency of the inductor should be greater than the operating frequency. A 1:2 transformer is used on the demo board to match the LO port to a 50Ω source. Figure 6 shows the LO input equivalent circuit and the associated matching network.

Single-ended to differential conversion at the LO inputs can also be implemented using a discrete L-C circuit to produce a balanced waveform without a transformer.

An alternative solution is a simple single-ended termination. However, the LO feedthrough to RF may be degraded. Either LO<sup>+</sup> or LO<sup>-</sup> input can be terminated to a 50Ω source with a matching circuit, while the other input is connected to ground through a 100pF bypass capacitor.

## APPLICATIONS INFORMATION

Table 2 shows the differential input impedance of the LO input port.

**Table 2. LO Input Differential Impedance**

| FREQUENCY (GHz) | DIFFERENTIAL INPUT IMPEDANCE ( $\Omega$ ) | DIFFERENTIAL S11 |                      |
|-----------------|---|------------------|----------------------|
|                 |   | MAG              | ANGLE ( $^{\circ}$ ) |
| 1.5             | 69.3-j59.4                                | 0.469            | -45.8                |
| 1.6             | 64.3-j56.4                                | 0.457            | -49.8                |
| 1.7             | 60.0-j52.7                                | 0.440            | -53.9                |
| 1.8             | 56.4-j48.9                                | 0.421            | -58.0                |
| 1.9             | 53.7-j44.9                                | 0.399            | -62.2                |
| 2.0             | 51.4-j41.2                                | 0.377            | -66.1                |
| 2.1             | 49.8-j37.5                                | 0.352            | -69.9                |
| 2.2             | 48.6-j34.2                                | 0.328            | -73.3                |
| 2.3             | 47.8-j31.0                                | 0.303            | -76.5                |
| 2.4             | 47.3-j28.2                                | 0.279            | -79.5                |
| 2.5             | 46.9-j25.6                                | 0.257            | -82.3                |

### I-Channel and Q-Channel Outputs

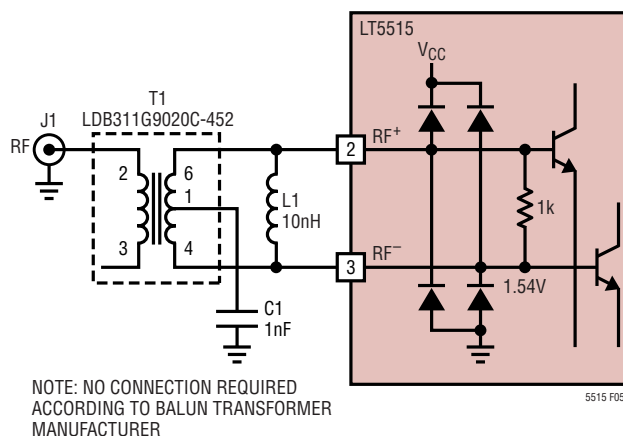
Each of the I-channel and Q-channel outputs is internally connected to  $V_{CC}$  through a  $60\Omega$  resistor. The output DC bias voltage is  $V_{CC} - 0.85V$ . The outputs can be DC coupled or AC coupled to the external loads. The differential output impedance of the demodulator is  $120\Omega$  in parallel with a  $5pF$  internal capacitor, forming a lowpass filter with a  $-3dB$  corner frequency at  $260MHz$ .  $R_{LOAD}$  (the single-

ended load resistance) should be larger than  $600\Omega$  to assure full gain. The gain is reduced by  $20 \cdot \log(1 + 120\Omega/R_{LOAD})$  in dB when the differential output is terminated by  $R_{LOAD}$ . For instance, the gain is reduced by  $6.85dB$  when each output pin is connected to a  $50\Omega$  load ( $100\Omega$  differential load). The output should be taken differentially (or by using differential-to-single-ended conversion) for best RF performance, including NF and IM2.

The phase relationship between the I-channel output signal and Q-channel output signal is fixed. When the LO input frequency is larger (or smaller) than the RF input frequency, the Q-channel outputs ( $Q_{OUT+}$ ,  $Q_{OUT-}$ ) lead (or lag) I-channel outputs ( $I_{OUT+}$ ,  $I_{OUT-}$ ) by  $90^{\circ}$ .

When AC output coupling is used, the resulting highpass filter's  $-3dB$  roll-off frequency is defined by the R-C constant of the blocking capacitor and  $R_{LOAD}$ , assuming  $R_{LOAD} > 600\Omega$ .

Care should be taken when the demodulator's outputs are DC coupled to the external load, to make sure that the I/Q mixers are biased properly. If the current drain from each output exceeds  $6mA$ , there can be significant degradation of the linearity performance. Each output can sink no more than  $14mA$  when the outputs are connected to an external load with a DC voltage higher than  $V_{CC} - 0.85V$ . The I/Q output equivalent circuit is shown in Figure 7.



**Figure 5. RF Input Equivalent Circuit with External Matching at 1.9GHz**



APPLICATIONS INFORMATION

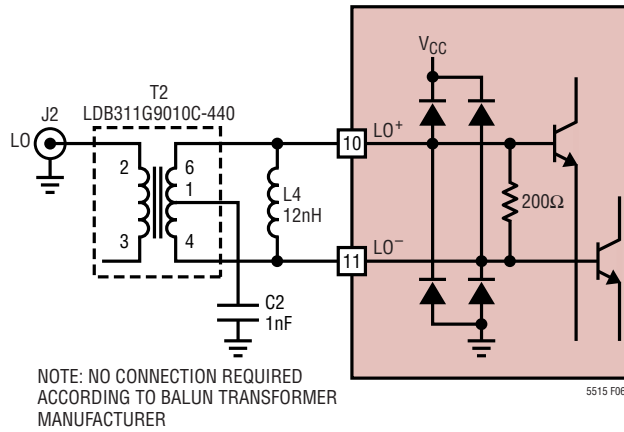


Figure 6. LO Input Equivalent Circuit with External Matching at 1.9GHz

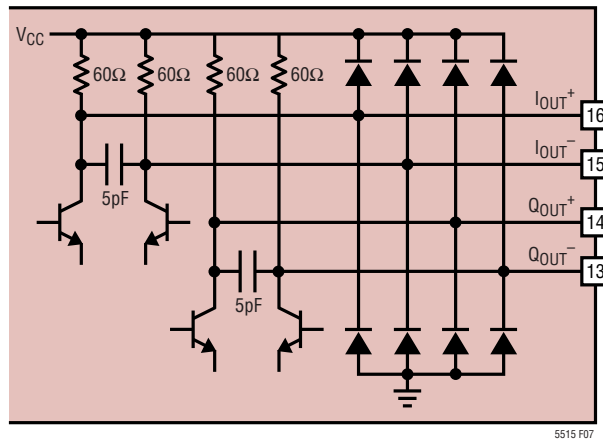
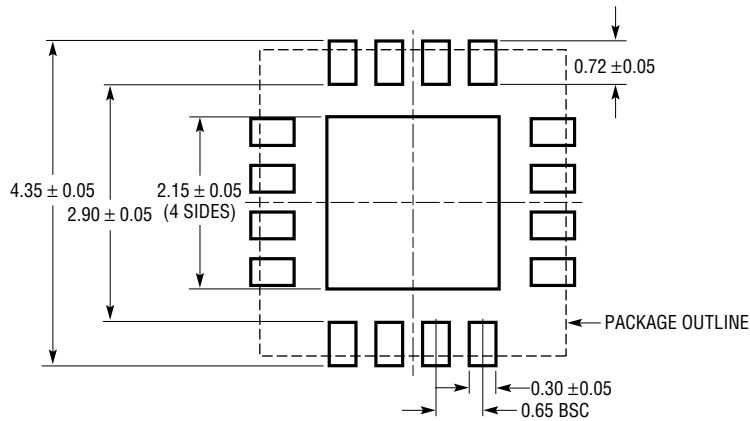


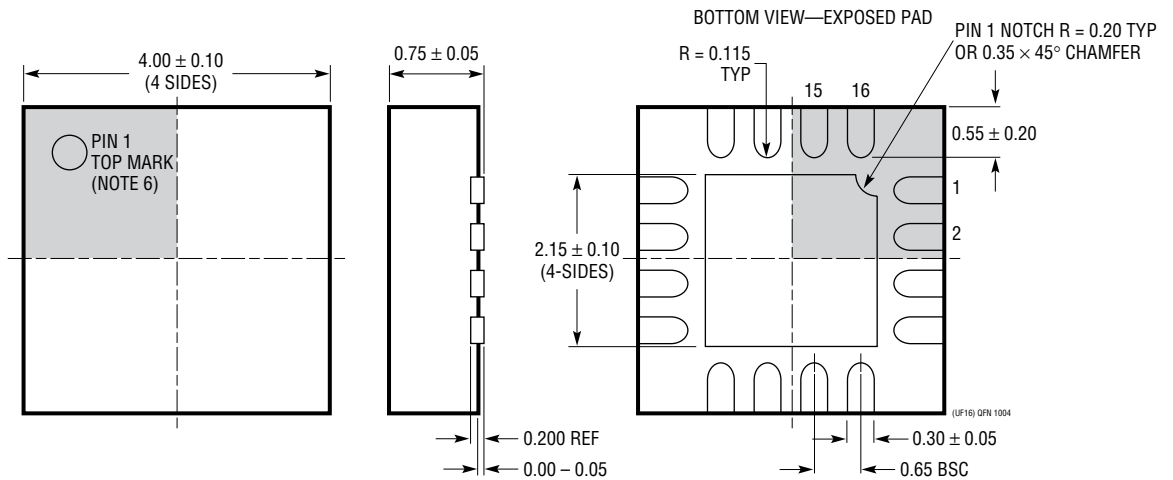
Figure 7. I/Q Output Equivalent Circuit

# PACKAGE DESCRIPTION

**UF Package**  
**16-Lead Plastic QFN (4mm × 4mm)**  
 (Reference LTC DWG # 05-08-1692)



RECOMMENDED SOLDER PAD PITCH AND DIMENSIONS



- NOTE:
1. DRAWING CONFORMS TO JEDEC PACKAGE OUTLINE MO-220 VARIATION (WGFC)
  2. DRAWING NOT TO SCALE
  3. ALL DIMENSIONS ARE IN MILLIMETERS
  4. DIMENSIONS OF EXPOSED PAD ON BOTTOM OF PACKAGE DO NOT INCLUDE MOLD FLASH. MOLD FLASH, IF PRESENT, SHALL NOT EXCEED 0.15mm ON ANY SIDE
  5. EXPOSED PAD SHALL BE SOLDER PLATED
  6. SHADED AREA IS ONLY A REFERENCE FOR PIN 1 LOCATION ON THE TOP AND BOTTOM OF PACKAGE

**RELATED PARTS**

| PART NUMBER                 | DESCRIPTION  | COMMENTS  |
|-----------------------------|--|---|
| <b>RF Power Controllers</b> |  |   |
| LTC1757A                    | RF Power Controller  | Multiband GSM/DCS/GPRS Mobile Phones  |
| LTC1758                     | RF Power Controller  | Multiband GSM/DCS/GPRS Mobile Phones  |
| LTC1957                     | RF Power Controller  | Multiband GSM/DCS/GPRS Mobile Phones  |
| LTC4400                     | SOT-23 RF PA Controller                                      | Multiband GSM/DCS/GPRS Phones, 45dB Dynamic Range, 450kHz Loop BW                                       |
| LTC4401                     | SOT-23 RF PA Controller                                      | Multiband GSM/DCS/GPRS Phones, 45dB Dynamic Range, 250kHz Loop BW                                       |
| LTC4403                     | RF Power Controller for EDGE/TDMA                            | Multiband GSM/GPRS/EDGE Mobile Phones   |
| LT5500                      | RF Front End   | Dual LNA gain Setting +13.5dB/-14dB at 2.5GHz, Double-Balanced Mixer, $1.8V \leq V_{SUPPLY} \leq 5.25V$ |
| LT5502                      | 400MHz Quadrature Demodulator with RSSI                      | 1.8V to 5.25V Supply, 70MHz to 400MHz IF, 84dB Limiting Gain, 90dB RSSI Range                           |
| LT5503                      | 1.2GHz to 2.7GHz Direct IQ Modulator and Up Converting Mixer | 1.8V to 5.25V Supply, Four-Step RF Power Control, 120MHz Modulation Bandwidth                           |
| LT5504                      | 800MHz to 2.7GHz RF Measuring Receiver                       | 80dB Dynamic Range, Temperature Compensated, 2.7V to 5.5V Supply  |
| LTC5505                     | 300MHz to 3.5GHz RF Power Detector                           | >40dB Dynamic Range, Temperature Compensated, 2.7V to 6V Supply   |
| LT5506                      | 500MHz Quadrature IF Demodulator with VGA                    | 1.8V to 5.25V Supply, 40MHz to 500MHz IF, -4dB to 57dB Linear Power Gain                                |
| LTC5507                     | 100kHz to 1GHz RF Power Detector                             | 48dB Dynamic Range, Temperature Compensated, 2.7V to 6V Supply  |
| LTC5508                     | 300MHz to 7GHz RF Power Detector                             | SC70 Package  |
| LTC5509                     | 300MHz to 3GHz RF Power Detector                             | 36dB Dynamic Range, SC70 Package  |
| LT5511                      | High Signal Level Up Converting Mixer                        | RF Output to 3GHz, 17dBm IIP3, Integrated LO Buffer   |
| LT5512                      | High Signal Level Down Converting Mixer                      | DC-3GHz, 20dBm IIP3, Integrated LO Buffer   |
| LT5516                      | 800MHz to 1.5GHz Direct Conversion Quadrature Demodulator    | 21.5dBm IIP3, Integrated LO Quadrature Generator  |

# Mouser Electronics

Authorized Distributor

Click to View Pricing, Inventory, Delivery & Lifecycle Information:

[Analog Devices Inc.:](#)

[LT5515EUF#PBF](#) [LT5515EUF#TR](#) [LT5515EUF](#) [LT5515EUF#TRPBF](#)