

MAX6326/MAX6327/  
MAX6328/MAX6346/  
MAX6347/MAX6348

3-Pin, Ultra-Low-Power SC70/SOT  
μP Reset Circuits

**Absolute Maximum Ratings**

Terminal Voltage (with respect to GND)

V <sub>CC</sub> .....	-0.3V to +6V
RESET, $\overline{\text{RESET}}$ (push-pull).....	-0.3V to (V <sub>CC</sub> + 0.3V)
$\overline{\text{RESET}}$ (open drain).....	-0.3V to +6V
Input Current (V <sub>CC</sub> ).....	20mA
Output Current (RESET, $\overline{\text{RESET}}$ ).....	20mA
Rate of Rise (V <sub>CC</sub> ).....	100V/μs

Continuous Power Dissipation (T<sub>A</sub> = +70°C)

3-Pin SC70 (derate 2.7mW/°C above +70°C).....	174mW
3-Pin SOT23 (derate 4mW/°C above +70°C).....	320mW
Operating Temperature Range.....	-40°C to +85°C
Storage Temperature Range.....	-65°C to +150°C
Lead Temperature (soldering, 10s).....	+300°C

Stresses beyond those listed under "Absolute Maximum Ratings" may cause permanent damage to the device. These are stress ratings only, and functional operation of the device at these or any other conditions beyond those indicated in the operational sections of the specifications is not implied. Exposure to absolute maximum rating conditions for extended periods may affect device reliability.

**Electrical Characteristics**

(V<sub>CC</sub> = full range, T<sub>A</sub> = -40°C to +85°C, unless otherwise noted. Typical values are at T<sub>A</sub> = +25°C and V<sub>CC</sub> = 3V.) (Note 1)

PARAMETER	SYMBOL	CONDITIONS		MIN	TYP	MAX	UNITS
V <sub>CC</sub> Range		T <sub>A</sub> = 0°C to +70°C		1.0		5.5	V
		T <sub>A</sub> = -40°C to +85°C		1.2		5.5	
Supply Current	I <sub>CC</sub>	MAX632_ only, V <sub>CC</sub> = 3.0V for V <sub>TH</sub> ≤ 2.93V, V <sub>CC</sub> = 3.2V for V <sub>TH</sub> > 2.93V, no load			0.5	1.0	μA
		V <sub>CC</sub> = 5.5V, no load			1.0	1.75	
Reset Threshold	V <sub>TH</sub>	Table 1	T <sub>A</sub> = +25°C	V <sub>TH</sub> - 1.5%	V <sub>TH</sub>	V <sub>TH</sub> + 1.5%	V
			T <sub>A</sub> = -40°C to +85°C	V <sub>TH</sub> - 2.5%	V <sub>TH</sub>	V <sub>TH</sub> + 2.5%	
Reset Threshold Tempco	ΔV <sub>TH</sub> /°C				40		ppm/°C
V <sub>CC</sub> to Reset Delay		V <sub>CC</sub> = V <sub>TH</sub> to (V <sub>TH</sub> - 100mV)			20		μs
Reset Active Timeout Period				100	185	280	ms
$\overline{\text{RESET}}$ Output Voltage (MAX6326/MAX6328/MAX6346/MAX6348)	V <sub>OL</sub>	I <sub>SINK</sub> = 1.6mA, V <sub>CC</sub> > 2.1V, reset asserted				0.3	V
		I <sub>SINK</sub> = 100μA, V <sub>CC</sub> ≥ 1.2V, reset asserted				0.4	
$\overline{\text{RESET}}$ Output Voltage (MAX6326/MAX6346)	V <sub>OH</sub>	I <sub>SOURCE</sub> = 500μA, V <sub>CC</sub> = 3.2V, MAX6326 only		0.8 · V <sub>CC</sub>			V
		I <sub>SOURCE</sub> = 800μA, V <sub>CC</sub> = 4.5V, V <sub>TH</sub> ≤ 4.38V		0.8 · V <sub>CC</sub>			
		I <sub>SOURCE</sub> = 800μA, V <sub>CC</sub> = V <sub>TH</sub> (MAX), V <sub>TH</sub> ≥ 4.5V		0.8 · V <sub>CC</sub>			
RESET Output Voltage (MAX6327/MAX6347)	V <sub>OH</sub>	I <sub>SOURCE</sub> = 500μA, V <sub>CC</sub> ≥ 2.1V, reset asserted		0.8 · V <sub>CC</sub>			V
		I <sub>SOURCE</sub> = 50μA, V <sub>CC</sub> ≥ 1.2V, reset asserted		0.8 · V <sub>CC</sub>			
	V <sub>OL</sub>	I <sub>SINK</sub> = 1.2mA, V <sub>CC</sub> ≥ 3.2V, reset not asserted, MAX6327 only				0.3	
		I <sub>SINK</sub> = 3.2mA, V <sub>CC</sub> ≥ 4.5V, reset not asserted, V <sub>TH</sub> ≤ 4.38V				0.4	
		I <sub>SINK</sub> = 3.2mA, V <sub>CC</sub> = V <sub>TH</sub> (MAX), V <sub>TH</sub> ≥ 4.5V				0.4	
RESET Threshold Hysteresis		MAX6326/MAX6327/MAX6328			6.3		mV
		MAX6346/MAX6347/MAX6348			9.5		
Open-Drain $\overline{\text{RESET}}$ Output Leakage Current						0.1	μA

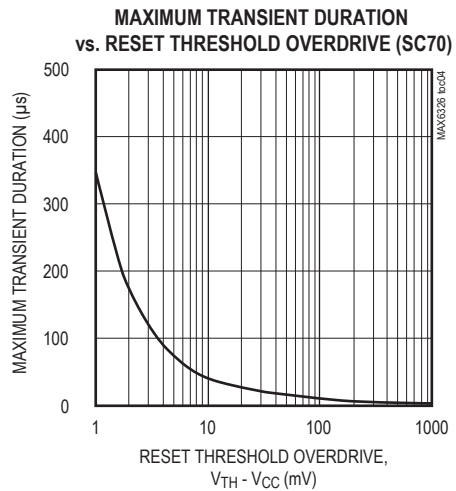
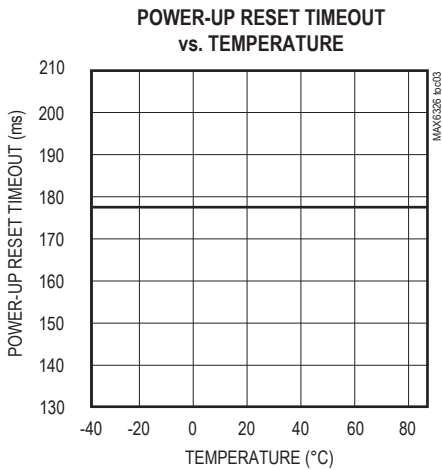
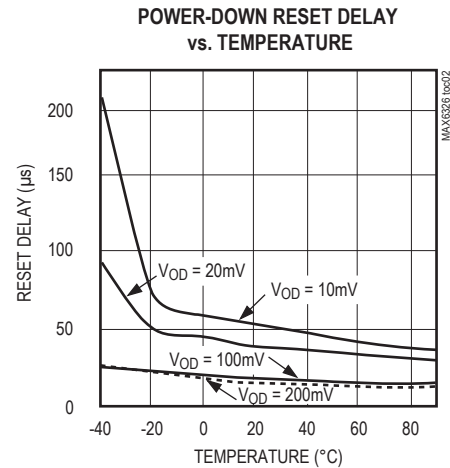
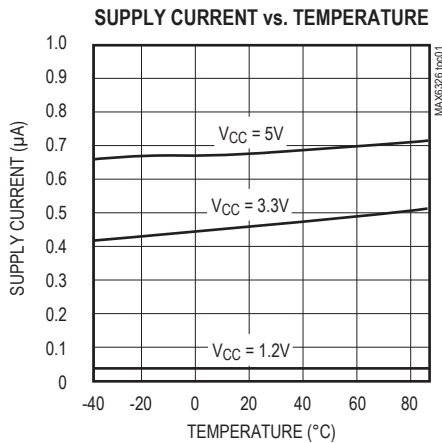
**Note 1:** Overtemperature limits are guaranteed by design and not production tested.

MAX6326/MAX6327/  
MAX6328/MAX6346/  
MAX6347/MAX6348

3-Pin, Ultra-Low-Power SC70/SOT  
μP Reset Circuits

Typical Operating Characteristics

(T<sub>A</sub> = +25°C, unless otherwise noted.)



Pin Description

PIN		NAME	FUNCTION
MAX6326/MAX6346 MAX6328/MAX6348	MAX6327 MAX6347		
1	1	GND	Ground
2	—	$\overline{\text{RESET}}$	Active-Low Reset Output. $\overline{\text{RESET}}$ remains low while V <sub>CC</sub> is below the reset threshold and for at least 100ms after V <sub>CC</sub> rises above the reset threshold. $\overline{\text{RESET}}$ is open-drain on the MAX6328/MAX6348 and push-pull on the MAX6326/MAX6346.
—	2	RESET	Active-High Reset Output. RESET remains high while V <sub>CC</sub> is below the reset threshold and for at least 100ms after V <sub>CC</sub> rises above the reset threshold.
3	3	V <sub>CC</sub>	Supply Voltage

MAX6326/MAX6327/  
 MAX6328/MAX6346/  
 MAX6347/MAX6348

## 3-Pin, Ultra-Low-Power SC70/SOT $\mu$ P Reset Circuits

### Applications Information

#### Interfacing to $\mu$ Ps with Bidirectional Reset Pins

Since the  $\overline{\text{RESET}}$  output on the MAX6328/MAX6348 is open drain, these devices interface easily with microprocessors ( $\mu$ Ps) that have bidirectional reset pins, such as the Motorola 68HC11. Connecting the  $\mu$ P supervisor's  $\overline{\text{RESET}}$  output directly to the microcontroller's ( $\mu$ C's)  $\overline{\text{RESET}}$  pin with a single pull-up resistor allows either device to assert reset (Figure 1).

#### Negative-Going $V_{CC}$ Transients

In addition to issuing a reset to the  $\mu$ P during power-up, power-down, and brownout conditions, these devices are relatively immune to short-duration, negative-going  $V_{CC}$  transients (glitches).

The *Typical Operating Characteristics* show the Maximum Transient Duration vs. Reset Threshold Overdrive graph, for which reset pulses are not generated. The graph shows the maximum pulse width that a negative-going  $V_{CC}$  transient may typically have when issuing a reset signal. As the amplitude of the transient increases, the maximum allowable pulse width decreases.

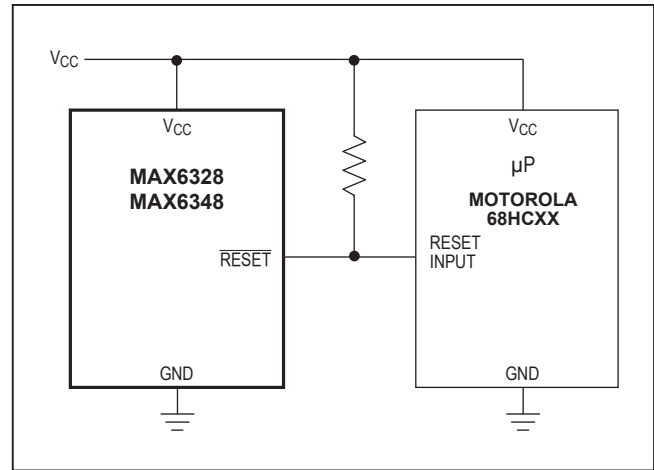


Figure 1. Interfacing to  $\mu$ Ps with Bidirectional Reset Pins

### Table 1. Factory-Trimmed Reset Thresholds $\ddagger$

PART	SUFFIX	RESET THRESHOLD VOLTAGE, $V_{TH}$ (V)				
		$T_A = +25^\circ\text{C}$			$T_A = -40^\circ\text{C to } +85^\circ\text{C}$	
		MIN	TYP	MAX	MIN	MAX
MAX632__R	22	2.167	2.200	2.233	2.145	2.250
MAX632__R	23	2.285	2.320	2.355	2.262	2.375
MAX632__R	24	2.364	2.400	2.436	2.340	2.460
MAX632__R	25	2.462	2.500	2.537	2.437	2.562
MAX632__R	26	2.591	2.630	2.669	2.564	2.696
MAX632__R	27	2.660	2.700	2.741	2.633	2.768
MAX632__R	28	2.758	2.800	2.842	2.730	2.870
MAX632__R	29	2.886	2.930	2.974	2.857	3.000
MAX632__R	30	2.955	3.000	3.045	2.925	3.075
MAX632__R	31	3.034	3.080	3.126	3.003	3.150
MAX634__R	33	3.250	3.300	3.350	3.217	3.383
MAX634__R	34	3.349	3.400	3.451	3.315	3.485
MAX634__R	35	3.447	3.500	3.552	3.412	3.587
MAX634__R	36	3.546	3.600	3.654	3.510	3.690
MAX634__R	37	3.644	3.700	3.755	3.607	3.792
MAX634__R	38	3.743	3.800	3.857	3.705	3.895

$\ddagger$ Factory-trimmed reset thresholds are available in approximately 100mV increments with a 1.5% room-temperature variance.

MAX6326/MAX6327/  
MAX6328/MAX6346/  
MAX6347/MAX6348

3-Pin, Ultra-Low-Power SC70/SOT  
µP Reset Circuits

**Table 1. Factory-Trimmed Reset Thresholds‡ (continued)**

PART	SUFFIX	RESET THRESHOLD VOLTAGE, V <sub>TH</sub> (V)				
		T <sub>A</sub> = +25°C			T <sub>A</sub> = -40°C to +85°C	
		MIN	TYP	MAX	MIN	MAX
MAX634__R	39	3.841	3.900	3.958	3.802	3.997
MAX634__R	40	3.940	4.000	4.060	3.900	4.100
MAX634__R	41	4.038	4.100	4.161	3.997	4.202
MAX634__R	42	4.137	4.200	4.263	4.095	4.305
MAX634__R	43	4.235	4.300	4.364	4.192	4.407
MAX634__R	44	4.314	4.380	4.446	4.270	4.489
MAX634__R	45	4.432	4.500	4.567	4.387	4.612
MAX634__R	46	4.560	4.630	4.699	4.514	4.746

‡Factory-trimmed reset thresholds are available in approximately 100mV increments with a 1.5% room-temperature variance.

**Table 2. Device Marking Codes and Minimum Order Increments**

PART	TOP MARK		ORDER INCREMENT(k)
	SOT23	SC70	
MAX6346_R46-T	FZBI	ACO	2.5
MAX6346_R45-T	FZBH	–	10
MAX6346_R44-T	FZBG	ACK	2.5
MAX6346_R43-T	FZBF	–	10
MAX6346_R42-T	FZBE	–	10
MAX6346_R41-T	FZBD	–	10
MAX6346_R40-T	FZBC	–	10
MAX6346_R39-T	FZBB	–	10
MAX6346_R38-T	FZBA	–	10
MAX6346_R37-T	FZAZ	–	10
MAX6346_R36-T	FZAY	–	10
MAX6346_R35-T	FZAX	–	10
MAX6346_R34-T	FZAW	–	10
MAX6346_R33-T	FZAV	–	10
MAX6326_R31-T	FDAA	ACE	2.5
MAX6326_R30-T	FEAA	–	10
MAX6326_R29-T	FCAA	ACP	2.5
MAX6326_R28-T	FBAA	–	10
MAX6326_R27-T	FAAA	–	10
MAX6326_R26-T	EZAA	ACI	2.5
MAX6326_R25-T	EYAA	–	10
MAX6326_R24-T	EXAA	–	10
MAX6326_R23-T	EWAA	ACH	2.5
MAX6326_R22-T	EHAA	AAH	2.5

PART	TOP MARK		ORDER INCREMENT (k)
	SOT23	SC70	
MAX6347_R46-T	FZBW	ACF	2.5
MAX6347_R45-T	FZBV	–	10
MAX6347_R44-T	FZBU	ACL	2.5
MAX6347_R43-T	FZBT	–	10
MAX6347_R42-T	FZBS	–	10
MAX6347_R41-T	FZBR	–	10
MAX6347_R40-T	FZBQ	–	10
MAX6347_R39-T	FZBP	–	10
MAX6347_R38-T	FZBO	–	10
MAX6347_R37-T	FZBN	–	10
MAX6347_R36-T	FZBM	–	10
MAX6347_R35-T	FZBL	–	10
MAX6347_R34-T	FZBK	–	10
MAX6347_R33-T	FZBJ	–	10
MAX6327_R31-T	FMAA	ACT	2.5
MAX6327_R30-T	FNAA	–	10
MAX6327_R29-T	FLAA	ACS	2.5
MAX6327_R28-T	FKAA	–	10
MAX6327_R27-T	FJAA	–	10
MAX6327_R26-T	FIAA	ACR	2.5
MAX6327_R25-T	FHAA	–	10
MAX6327_R24-T	FGAA	–	10
MAX6327_R23-T	FFAA	ACQ	2.5
MAX6327_R22-T	EIAA	AAI	2.5

MAX6326/MAX6327/  
MAX6328/MAX6346/  
MAX6347/MAX6348

3-Pin, Ultra-Low-Power SC70/SOT  
µP Reset Circuits

**Table 2. Device Marking Codes and Minimum Order Increments (continued)**

PART	TOP MARK		ORDER INCREMENT (k)
	SOT23	SC70	
<b>MAX6348</b> _R46-T	SOT23	SC70	
MAX6348_R46-T	FZCK	ACN	2.5
MAX6348_R45-T	FZCJ	–	10
MAX6348_R44-T	FZCI	ACM	2.5
MAX6348_R43-T	FZCH	–	10
MAX6348_R42-T	FZCG	–	10
MAX6348_R41-T	FZCF	–	10
MAX6348_R40-T	FZCE	–	10
MAX6348_R39-T	FZCD	–	10
MAX6348_R38-T	FZCC	–	10
MAX6348_R37-T	FZCB	–	10
MAX6348_R36-T	FZCA	–	10
MAX6348_R35-T	FZBZ	–	10

PART	TOP MARK		ORDER INCREMENT (k)
	SOT23	SC70	
MAX6348_R34-T	FZBY	–	10
MAX6348_R33-T	FZBX	–	10
<b>MAX6328</b> _R31-T	FVAA	ACW	2.5
MAX6328_R30-T	FWAA	–	10
MAX6328_R29-T	FUAA	ACV	2.5
MAX6328_R28-T	FTAA	–	10
MAX6328_R27-T	FSAA	–	10
MAX6328_R26-T	FRAA	ACJ	2.5
MAX6328_R25-T	FQAA	–	10
MAX6328_R24-T	FPAA	–	10
MAX6328_R23-T	FOAA	ACU	2.5
MAX6328_R22-T	EJAA	AAJ	2.5

### Selector Guide (standard versions\*)

PART	NOMINAL V <sub>TH</sub> (V)
MAX634__R46-T	4.63
MAX634__R44-T	4.38
MAX632__R31-T	3.08
MAX632__R29-T	2.93
MAX632__R26-T	2.63
MAX632__R23-T	2.32
MAX632__R22-T	2.20

\*Sample stock is generally held on all standard versions.

### Chip Information

TRANSISTOR COUNT: 419

### Package Information

For the latest package outline information and land patterns (footprints), go to [www.maximintegrated.com/packages](http://www.maximintegrated.com/packages). Note that a “+”, “#”, or “-” in the package code indicates RoHS status only. Package drawings may show a different suffix character, but the drawing pertains to the package regardless of RoHS status.

PACKAGE TYPE	PACKAGE CODE	OUTLINE NO.	LAND PATTERN NO.
3 SC70	X3-2	<a href="#">21-0075</a>	<a href="#">90-0208</a>
3 SOT23	U3-1	<a href="#">21-0051</a>	<a href="#">90-0179</a>

MAX6326/MAX6327/  
MAX6328/MAX6346/  
MAX6347/MAX6348

3-Pin, Ultra-Low-Power SC70/SOT  
μP Reset Circuits

## Revision History

REVISION NUMBER	REVISION DATE	DESCRIPTION	PAGES CHANGED
0	12/05	Initial release	—
1	4/14	No /V OPNs; removed Automotive reference from <i>Applications</i> section	1

For pricing, delivery, and ordering information, please contact Maxim Direct at 1-888-629-4642, or visit Maxim Integrated's website at [www.maximintegrated.com](http://www.maximintegrated.com).

*Maxim Integrated cannot assume responsibility for use of any circuitry other than circuitry entirely embodied in a Maxim Integrated product. No circuit patent licenses are implied. Maxim Integrated reserves the right to change the circuitry and specifications without notice at any time. The parametric values (min and max limits) shown in the Electrical Characteristics table are guaranteed. Other parametric values quoted in this data sheet are provided for guidance.*

# Mouser Electronics

Authorized Distributor

Click to View Pricing, Inventory, Delivery & Lifecycle Information:

## Maxim Integrated:

[MAX6348UR46+T](#) [MAX6348XR42+T](#) [MAX6326UR22+T](#) [MAX6326UR23+T](#) [MAX6326UR24+T](#) [MAX6326UR25+T](#)  
[MAX6326UR26+T](#) [MAX6326UR27+T](#) [MAX6326UR28+T](#) [MAX6326UR29+T](#) [MAX6326UR30+T](#) [MAX6326UR31+T](#)  
[MAX6326XR22+T](#) [MAX6326XR23+T](#) [MAX6326XR24+T](#) [MAX6326XR25+T](#) [MAX6326XR26+T](#) [MAX6326XR27+T](#)  
[MAX6326XR28+T](#) [MAX6326XR29+T](#) [MAX6326XR30+T](#) [MAX6326XR31+T](#) [MAX6327UR22+T](#) [MAX6327UR23+T](#)  
[MAX6327UR24+T](#) [MAX6327UR25+T](#) [MAX6327UR26+T](#) [MAX6327UR27+T](#) [MAX6327UR28+T](#) [MAX6327UR29+T](#)  
[MAX6327UR30+T](#) [MAX6327UR31+T](#) [MAX6327XR22+T](#) [MAX6327XR23+T](#) [MAX6327XR24+T](#) [MAX6327XR25+T](#)  
[MAX6327XR26+T](#) [MAX6327XR28+T](#) [MAX6327XR29+T](#) [MAX6327XR30+T](#) [MAX6327XR31+T](#) [MAX6328UR22+T](#)  
[MAX6328UR23+T](#) [MAX6328UR24+T](#) [MAX6328UR25+T](#) [MAX6328UR26+T](#) [MAX6328UR27+T](#) [MAX6328UR28+T](#)  
[MAX6328UR29+T](#) [MAX6328UR30+T](#) [MAX6328UR31+T](#) [MAX6328XR22+T](#) [MAX6328XR23+T](#) [MAX6328XR24+T](#)  
[MAX6328XR25+T](#) [MAX6328XR26+T](#) [MAX6328XR27+T](#) [MAX6328XR28+T](#) [MAX6328XR29+T](#) [MAX6328XR30+T](#)  
[MAX6328XR31+T](#) [MAX6346UR33+T](#) [MAX6346UR34+T](#) [MAX6346UR35+T](#) [MAX6346UR36+T](#) [MAX6346UR37+T](#)  
[MAX6346UR38+T](#) [MAX6346UR39+T](#) [MAX6346UR40+T](#) [MAX6346UR41+T](#) [MAX6346UR42+T](#) [MAX6346UR43+T](#)  
[MAX6346UR44+T](#) [MAX6346UR45+T](#) [MAX6346UR46+T](#) [MAX6346XR33+T](#) [MAX6346XR34+T](#) [MAX6346XR35+T](#)  
[MAX6346XR36+T](#) [MAX6346XR37+T](#) [MAX6346XR38+T](#) [MAX6346XR39+T](#) [MAX6346XR40+T](#) [MAX6346XR41+T](#)  
[MAX6346XR42+T](#) [MAX6346XR43+T](#) [MAX6346XR44+T](#) [MAX6346XR45+T](#) [MAX6346XR46+T](#) [MAX6347UR33+T](#)  
[MAX6347UR34+T](#) [MAX6347UR35+T](#) [MAX6347UR36+T](#) [MAX6347UR37+T](#) [MAX6347UR38+T](#) [MAX6347UR39+T](#)  
[MAX6347UR40+T](#) [MAX6347UR41+T](#) [MAX6347UR42+T](#) [MAX6347UR43+T](#)