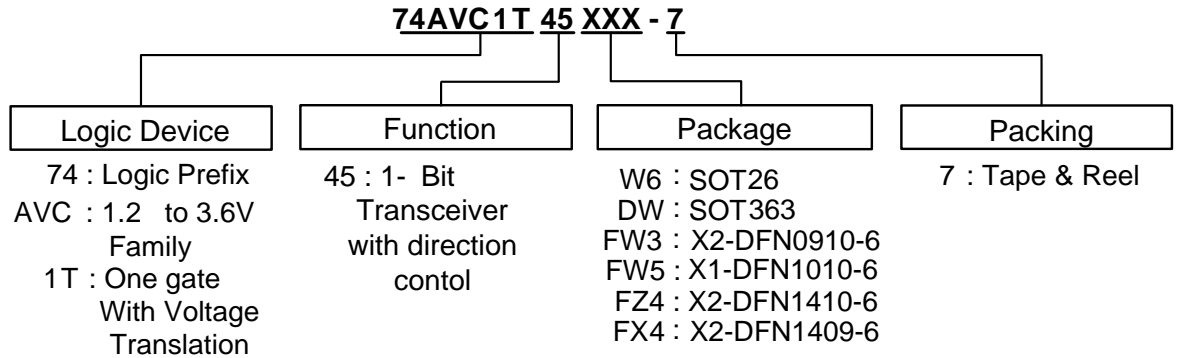


## Ordering Information



Part Number	Package Code	Packaging	7" Tape and Reel (Note 7)	
			Quantity	Part Number Suffix
74AVC1T45W6-7	W6	SOT26	3000/Tape & Reel	-7
74AVC1T45DW-7	DW	SOT363	3000/Tape & Reel	-7
74AVC1T45FW3-7	FW3	X2-DFN0910-6	5000/Tape & Reel	-7
74AVC1T45FW5-7	FW5	X1-DFN1010-6	5000/Tape & Reel	-7
74AVC1T45FZ4-7	FZ4	X2-DFN1410-6	5000/Tape & Reel	-7
74AVC1T45FX4-7	FX4	X2-DFN1409-6	5000/Tape & Reel	-7

Notes: 4. Taping orientation is located on our website at <https://www.diodes.com/assets/Packaging-Support-Docs/Ap02007.pdf>.

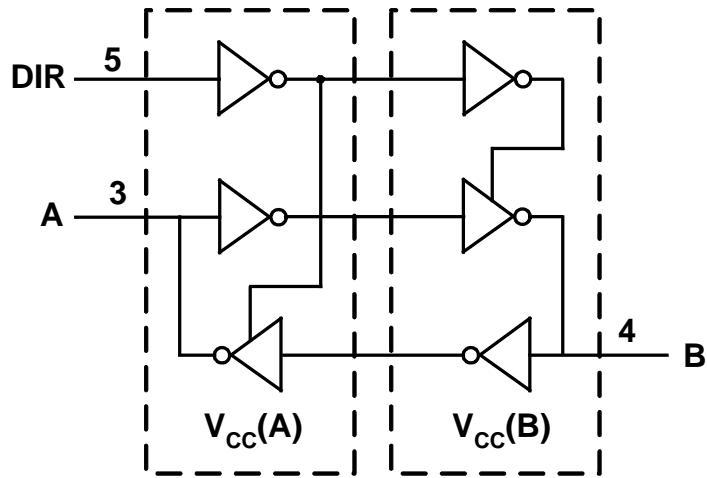
## Pin Descriptions

Pin Name	Pin	Function
VCC(A)	1	Supply for I/O pin A and Reference for DIR
GND	2	Ground
A	3	Data Input/Output
B	4	Data Input/Output
DIR	5	Direction Control
VCC(B)	6	Supply for I/O pin B

## Function Table

Supply voltage	Input	Input/Output	
		A	B
V <sub>CC(A)</sub> , V <sub>CC(B)</sub>	DIR (Direction Pin)	A = B	Input
1.2 V to 3.6 V	L	Input	B = A
1.2 V to 3.6 V	H	Z	Z
GND	X		

**Logic Diagram**



**Absolute Maximum Ratings** (Note 5) (@T<sub>A</sub> = +25°C, unless otherwise specified.)

Symbol	Parameter	Rating	Unit
ESD HBM	Human Body Model ESD Protection	2	kV
ESD CDM	Charged Device Model ESD Protection	1	kV
ESD MM	Machine Model ESD Protection	200	V
V <sub>CC(A)</sub> , V <sub>CC(B)</sub>	Supply Voltage Range	-0.5 to +4.6	V
V <sub>I</sub>	Input Voltage Range	-0.5 to +4.6	V
V <sub>O</sub>	Voltage Applied to Output in High Impedance or I <sub>OFF</sub> State	-0.5 to +4.6	V
V <sub>O</sub>	Voltage Applied to Output in High or Low State	A pin	-0.5 to V <sub>CC(A)</sub> +0.5
		B pin	-0.5 to V <sub>CC(B)</sub> +0.5
I <sub>IK</sub>	Input Clamp Current V <sub>I</sub> <0	-50	mA
I <sub>OK</sub>	Output Clamp Current	-50	mA
I <sub>O</sub>	Continuous Output Current	±50	mA
—	Continuous Current Through V <sub>CC</sub> or GND	±100	mA
T <sub>J</sub>	Operating Junction Temperature	-40 to +150	°C
T <sub>STG</sub>	Storage Temperature	-65 to +150	°C

Note: 5. Stresses beyond the absolute maximum can result in immediate failure or reduced reliability. These are stress values and device operation should be within recommend values.

**Recommended Operating Condition** (Notes 6, 7 & 8) (@T<sub>A</sub> = +25°C, unless otherwise specified.)

Symbol	Parameter		V <sub>CCI</sub>	V <sub>CCO</sub>	Min	Max	Units
V <sub>CC(A)</sub>	Operating Voltage		—	—	1.2	3.6	V
V <sub>CC(B)</sub>	Operating Voltage		—	—	1.2	3.6	V
V <sub>IH</sub>	High-Level Input Voltage	Data Inputs	1.2V to 1.95V	1.2V to 3.6V	0.65 × V <sub>CC(A)</sub>	—	V
			1.95V to 2.7V	1.2V to 3.6V	1.6	—	
			2.7V to 3.6V	1.2V to 3.6V	2	—	
V <sub>IL</sub>	Low-Level Input Voltage	Data Inputs	1.2V to 1.95V	1.2V to 3.6V	—	0.35 × V <sub>CC(A)</sub>	V
			1.95V to 2.7V	1.2V to 3.6V	—	0.7	
			2.7V to 3.6V	1.2V to 3.6V	—	0.8	
V <sub>IH</sub>	High-Level Input Voltage	DIR (Referenced to V <sub>CCA</sub> )	1.2V to 1.95V	1.2V to 3.6V	0.65 × V <sub>CC(B)</sub>	—	V
			1.95V to 2.7V	1.2V to 3.6V	1.6	—	
			2.7V to 3.6V	1.2V to 3.6V	2	—	
V <sub>IL</sub>	Low-Level Input Voltage	DIR (Referenced to V <sub>CCA</sub> )	1.2V to 1.95V	1.2V to 3.6V	—	0.35 × V <sub>CC(B)</sub>	V
			1.95V to 2.7V	1.2V to 3.6V	—	0.7	
			2.7 to 3.6V	1.2V to 3.6V	—	0.8	
V <sub>I</sub>	Input Voltage		—	—	0	3.6	V
V <sub>O</sub>	Output Voltage	Active State	—	—	0	V <sub>CCO</sub>	V
		3-State	—	—	0	3.6	V
I <sub>OH</sub>	High-Level Output Current	1.2V to 3.6V	1.2V	—	—	-3	mA
		1.2V to 3.6V	1.4V to 1.6V	—	—	-6	
		1.2V to 3.6V	1.65V to 1.95V	—	—	-8	
		1.2V to 3.6V	2.3V to 2.7V	—	—	-9	
		1.2V to 3.6V	3V to 3.6V	—	—	-12	
I <sub>OL</sub>	Low-Level Output Current	1.2V to 3.6V	1.2V	—	—	3	mA
		1.2V to 3.6V	1.4V to 1.6V	—	—	6	
		1.2V to 3.6V	1.65V to 1.95V	—	—	8	
		1.2V to 3.6V	2.3V to 2.7V	—	—	9	
		1.2V to 3.6V	3V to 3.6V	—	—	12	
Δt/ΔV	Input Transition Rise or Fall Rate		1.2V to 3.6V	1.2V to 3.6V	—	5	ns/V
T <sub>A</sub>	Operating Free-Air Temperature				-40	+85	°C

- Note:
6. V<sub>CCO</sub> is the V<sub>CC</sub> associated with the output port.
  7. V<sub>CCI</sub> is the V<sub>CC</sub> associated with the input port.
  8. All unused inputs of the device must be held at V<sub>CCI</sub> of GND.

**Electrical Characteristics** (Notes 9 & 10) (@T<sub>A</sub> = +40°C to +85°C, unless otherwise specified.)

Symbol	Parameter	Test Conditions	V <sub>CC</sub> (A)	V <sub>CC</sub> (B)	T <sub>A</sub> = +25°C			T <sub>A</sub> = -40°C to +85°C		Unit	
					Min	Typ	Max	Min	Max		
V <sub>OH</sub>	High Level Output Voltage	I <sub>OH</sub> = -100μA	1.2V to 3.6V	1.2V to 3.6V	—	—	—	V <sub>CC</sub> - 0.2	—	V	
		I <sub>OH</sub> = -3mA	1.2V	1.2V	—	0.95	—	—	—		
		I <sub>OH</sub> = -6mA	1.4V	1.4V	—	—	—	1.05	—		
		I <sub>OH</sub> = -8mA	1.65V	1.65V	—	—	—	1.2	—		
		I <sub>OH</sub> = -9mA	2.3V	2.3V	—	—	—	1.75	—		
		I <sub>OH</sub> = -12mA	3V	3V	—	—	—	2.3	—		
V <sub>OL</sub>	Low-Level Output Voltage	I <sub>OL</sub> = 100μA	1.2V to 3.6V	1.2V to 3.6V	—	—	—	—	0.2	V	
		I <sub>OL</sub> = 3mA	1.2V	1.2V	—	0.15	—	—	—		
		I <sub>OL</sub> = 6mA	1.4V	1.4V	—	—	—	—	0.35		
		I <sub>OL</sub> = 8mA	1.65V	1.65V	—	—	—	—	0.45		
		I <sub>OL</sub> = 9mA	2.3V	2.3V	—	—	—	—	0.55		
		I <sub>OL</sub> = 12mA	3V	3V	—	—	—	—	0.7		
I <sub>I</sub>	Input Current	DIR	V <sub>I</sub> = V <sub>CC</sub> (A) or GND	1.2V to 3.6V	1.2V to 3.6V	-0.25	±0.25	0.25	-1	1	μA
I <sub>OFF</sub>	Power Down Leakage Current	A Pin	V <sub>I</sub> or V <sub>O</sub> = 0V to 3.6V	0V	0V to 3.6V	-1	±0.1	1	-5	5	μA
		B Pin		0V to 3.6V	0V	-1	±0.1	1	-5	5	
I <sub>OZ</sub>	3-State Leakage Current	B Pin	V <sub>O</sub> = V <sub>CCO</sub> or GND	0V	0V to 3.6V	-2.5	±0.5	2.5	-5	5	μA
		A Pin	V <sub>I</sub> = V <sub>CCI</sub> or GND	0V to 3.6V	0V	-2.5	±0.5	2.5	-5	5	
I <sub>CCA</sub>	Supply Current	V <sub>I</sub> = V <sub>CCI</sub> or GND I <sub>O</sub> = 0	1.2 to 3.6V	11.2V to 3.6V	—	—	—	—	10	μA	
			3.6V	0V	—	—	—	—	-2		
			0V	3.6V	—	—	—	—	10		
I <sub>CCB</sub>	Supply Current	V <sub>I</sub> = V <sub>CCB</sub> or GND I <sub>O</sub> = 0	1.2V to 3.6V	1.2V to 3.6V	—	—	—	—	10	μA	
			0V	3.6V	—	—	—	—	10		
			3.6V	0V	—	—	—	—	-2		
I <sub>CCA</sub> + I <sub>CCB</sub>	Supply Current	V <sub>I</sub> = V <sub>CCI</sub> or GND I <sub>O</sub> = 0	1.2V to 3.6V	1.2V to 3.6V	—	—	—	—	20	μA	
C <sub>I</sub>	Input Capacitance	DIR	V <sub>I</sub> = V <sub>CC</sub> (A) or GND	3.3V	3.3V	—	2.5	—	—	—	pF
C <sub>IO</sub>	Input/Output Capacitance	A or B pin	V <sub>I</sub> = V <sub>CC</sub> (A)/(B) or GND	3.3V	3.3V	—	6.0	—	—	—	pF

- Notes:
9. V<sub>CCO</sub> is the V<sub>CC</sub> associated with the output port.
  10. V<sub>CCI</sub> is the V<sub>CC</sub> associated with the input port.

**Package Characteristics** ( $V_{CC} = 3.3V$ ,  $T_A = +25^{\circ}C$ , unless otherwise specified.)

Symbol	Parameter	Package	Test Conditions	Min	Typ	Max	Unit
$\theta_{JA}$	Thermal Resistance Junction-to-Ambient	SOT26	(Note 11)	—	166	—	$^{\circ}C/W$
		SOT363		—	371	—	
		X2-DFN0910-6		—	530	—	
		X2-DFN1410-6		—	430	—	
		X2-DFN1409-6		—	450	—	
		X1-DFN1010-6		—	510	—	
$\theta_{JC}$	Thermal Resistance Junction-to-Case	SOT26	(Note 11)	—	46	—	$^{\circ}C/W$
		SOT363		—	143	—	
		X2-DFN0910-6		—	260	—	
		X2-DFN1410-6		—	190	—	
		X2-DFN1409-6		—	200	—	
		X1-DFN1010-6		—	250	—	

Note: 11. Test condition for all packages: Device mounted on FR-4 substrate PC board, 2oz copper with minimum recommended pad layout.

**Switching Characteristics**

$V_{CC} (A) = 1.2V$ ,  $T_A = -40^{\circ}C$  to  $+85^{\circ}C$ , See Figure 1

Parameter	From (Input)	To (Output)	$V_{CC}(B) = 1.2V$	$V_{CC}(B) = 1.5V \pm 0.1$	$V_{CC}(B) = 1.8V \pm 0.15V$	$V_{CC}(B) = 2.5V \pm 0.2V$	$V_{CC}(B) = 3.3V \pm 0.3V$	Unit
			TYP	TYP	TYP	TYP	TYP	
$t_{pLH}$	A	B	3.3	2.7	2.4	2.3	2.4	ns
$t_{pHL}$			3.3	2.7	2.4	2.3	2.4	
$t_{pLH}$	B	A	3.3	3.1	2.9	2.8	2.7	ns
$t_{pHL}$			3.3	3.1	2.9	2.8	2.7	
$t_{pHZ}$	DIR	A	5.1	5.2	5.3	5.2	3.7	ns
$t_{pLZ}$			5.1	5.2	5.3	5.2	3.7	
$t_{pHZ}$	DIR	B	5.3	4.3	4.0	3.3	3.7	ns
$t_{pLZ}$			5.3	4.3	4.0	3.3	3.7	
$t_{pZH}^*$	DIR	A	8.6	7.3	6.8	6.1	6.4	ns
$t_{pZL}^*$			8.6	7.3	6.8	6.1	6.4	
$t_{pZH}^*$	DIR	B	8.3	7.8	7.7	7.5	5.8	ns
$t_{pZL}^*$			8.3	7.8	7.7	7.5	5.8	

\*Enable times are calculated values see table at end of switching characteristics.

$V_{CC} (A) = 1.5V \pm 0.1V$ ,  $T_A = -40^{\circ}C$  to  $+85^{\circ}C$ , See Figure 1

Parameter	From (Input)	To (Output)	$V_{CC}(B) = 1.2V$	$V_{CC}(B) = 1.5V \pm 0.1$		$V_{CC}(B) = 1.8V \pm 0.15V$		$V_{CC}(B) = 2.5V \pm 0.2V$		$V_{CC}(B) = 3.3V \pm 0.3V$		Unit
			TYP	Min	Max	Min	Max	Min	Max	Min	Max	
$t_{pLH}$	A	B	2.9	0.7	5.6	0.6	5.2	0.5	4.2	0.5	3.8	ns
$t_{pHL}$			2.9	0.7	5.6	0.6	5.2	0.5	4.2	0.5	3.8	
$t_{pLH}$	B	A	2.6	0.6	5.5	0.4	5.3	0.3	4.9	0.3	4.8	ns
$t_{pHL}$			2.6	0.6	5.5	0.4	5.3	0.3	4.9	0.3	4.8	
$t_{pHZ}$	DIR	A	3.8	1.6	6.7	1.5	6.8	0.3	6.9	0.9	6.9	ns
$t_{pLZ}$			3.8	1.6	6.7	1.5	6.8	0.3	6.9	0.9	6.9	
$t_{pHZ}$	DIR	B	5.1	1.8	8.1	1.6	7.1	1.1	4.7	1.4	4.5	ns
$t_{pLZ}$			5.1	1.8	8.1	1.6	7.1	1.1	4.7	1.4	4.5	
$t_{pZH}^*$	DIR	A	7.7	—	13.6	—	12.4	—	9.6	—	9.3	ns
$t_{pZL}^*$			7.7	—	13.6	—	12.4	—	9.6	—	9.3	
$t_{pZH}^*$	DIR	B	6.7	—	12.3	—	12	—	11.1	—	10.7	ns
$t_{pZL}^*$			6.7	—	12.3	—	12	—	11.1	—	10.7	

\*Enable times are calculated values see table at end of switching characteristics.

**Switching Characteristics** (continued)

 $V_{CC}(A) = 1.8V \pm 0.15V$ ,  $T_A = -40^\circ C$  to  $+85^\circ C$ , See Figure 1

Parameter	From (Input)	To (Output)	$V_{CC}(B) = 1.2V$	$V_{CC}(B) = 1.5V \pm 0.1$		$V_{CC}(B) = 1.8V \pm 0.15V$		$V_{CC}(B) = 2.5V \pm 0.2V$		$V_{CC}(B) = 3.3V \pm 0.3V$		Unit
			TYP	Min	Max	Min	Max	Min	Max	Min	Max	
$t_{pLH}$	A	B	2.7	0.6	5.3	0.5	5.0	0.4	3.9	0.4	3.4	ns
$t_{pHL}$			2.7	0.6	5.3	0.5	5.0	0.4	3.9	0.4	3.4	
$t_{pLH}$	B	A	2.3	0.5	5.2	0.4	5.0	0.3	4.6	0.2	4.4	ns
$t_{pHL}$			2.3	0.5	5.2	0.4	5.0	0.3	4.6	0.2	4.4	
$t_{pHZ}$	DIR	A	3.8	1.6	5.9	1.6	5.9	1.6	5.9	0.5	6.0	ns
$t_{pLZ}$			3.8	1.6	5.9	1.6	5.9	1.6	5.9	0.5	6.0	
$t_{pHZ}$	DIR	B	5.0	1.8	7.7	1.4	6.8	1.0	4.4	1.4	5.3	ns
$t_{pLZ}$			5.0	1.8	7.7	1.4	6.8	1.0	4.4	1.4	5.3	
$t_{pZH}^*$	DIR	A	7.3	—	12.9	—	11.8	—	9.0	—	8.7	ns
$t_{pZL}^*$			7.3	—	12.9	—	11.8	—	9.0	—	8.7	
$t_{pZH}^*$	DIR	B	6.5	—	11.2	—	10.9	—	9.8	—	9.4	ns
$t_{pZL}^*$			6.5	—	11.2	—	10.9	—	9.8	—	9.4	

\*Enable times are calculated vales see table at end of switching characteristics.

 $V_{CC}(A) = 2.5V \pm 0.2V$ ,  $T_A = -40^\circ C$  to  $+85^\circ C$ , See Figure 1

Parameter	From (Input)	To (Output)	$V_{CC}(B) = 1.2V$	$V_{CC}(B) = 1.5V \pm 0.1$		$V_{CC}(B) = 1.8V \pm 0.15V$		$V_{CC}(B) = 2.5V \pm 0.2V$		$V_{CC}(B) = 3.3V \pm 0.3V$		Unit
			TYP	Min	Max	Min	Max	Min	Max	Min	Max	
$t_{pLH}$	A	B	2.6	0.5	4.9	0.4	4.6	0.3	3.4	0.3	3.0	ns
$t_{pHL}$			2.6	0.5	4.9	0.4	4.6	0.3	3.4	0.3	3.0	
$t_{pLH}$	B	A	2.2	0.4	4.2	0.3	3.8	0.2	3.4	0.2	3.3	ns
$t_{pHL}$			2.2	0.4	4.2	0.3	3.8	0.2	3.4	0.2	3.3	
$t_{pHZ}$	DIR	A	2.8	0.3	3.8	0.8	3.8	0.4	3.8	0.5	3.8	ns
$t_{pLZ}$			2.8	0.3	3.8	0.8	3.8	0.4	3.8	0.5	3.8	
$t_{pHZ}$	DIR	B	4.9	2.0	7.6	1.5	6.5	0.6	4.1	1.0	4.0	ns
$t_{pLZ}$			4.9	2.0	7.6	1.5	6.5	0.6	4.1	1.0	4.0	
$t_{pZH}^*$	DIR	A	7.1	—	11.8	—	10.3	—	7.5	—	7.3	ns
$t_{pZL}^*$			7.1	—	11.8	—	10.3	—	7.5	—	7.3	
$t_{pZH}^*$	DIR	B	5.4	—	8.6	—	8.1	—	7.0	—	6.6	ns
$t_{pZL}^*$			5.4	—	8.6	—	8.1	—	7.0	—	6.6	

\*Enable times are calculated vales see table at end of switching characteristics.

 $V_{CC}(A) = 3.3V \pm 0.3V$ ,  $T_A = -40^\circ C$  to  $+85^\circ C$ , See Figure 1

Parameter	From (Input)	To (Output)	$V_{CC}(B) = 1.2V$	$V_{CC}(B) = 1.5V \pm 0.1$		$V_{CC}(B) = 1.8V \pm 0.15V$		$V_{CC}(B) = 2.5V \pm 0.2V$		$V_{CC}(B) = 3.3V \pm 0.3V$		Unit
			TYP	Min	Max	Min	Max	Min	Max	Min	Max	
$t_{pLH}$	A	B	2.6	0.4	4.7	0.3	4.4	0.2	3.3	0.2	2.8	ns
$t_{pHL}$			2.6	0.4	4.7	0.3	4.4	0.2	3.3	0.2	2.8	
$t_{pLH}$	B	A	2.2	0.4	3.8	0.3	3.4	0.2	3	0.1	2.8	ns
$t_{pHL}$			2.2	0.4	3.8	0.3	3.4	0.2	3	0.1	2.8	
$t_{pHZ}$	DIR	A	3.1	1.3	4.3	1.3	4.3	1.3	4.3	1.3	4.3	ns
$t_{pLZ}$			3.1	1.3	4.3	1.3	4.3	1.3	4.3	1.3	4.3	
$t_{pHZ}$	DIR	B	4	0.7	7.4	0.6	6.5	0.7	4	1.5	4.9	ns
$t_{pLZ}$			4	0.7	7.4	0.6	6.5	0.7	4	1.5	4.9	
$t_{pZH}^*$	DIR	A	6.2	—	11.2	—	9.9	—	7	—	6.7	ns
$t_{pZL}^*$			6.2	—	11.2	—	9.9	—	7	—	6.7	
$t_{pZH}^*$	DIR	B	5.7	—	8.9	—	8.5	—	7.2	—	6.8	ns
$t_{pZL}^*$			5.7	—	8.9	—	8.5	—	7.2	—	6.8	

\*Enable times are calculated vales see table at end of switching characteristics.

## Enable Time Calculations

Enable times can be calculated as follows:

- $t_{pZH} \text{ (DIR to A)} = t_{pLZ} \text{ (DIR to B)} + t_{pLH} \text{ (B to A)}$
- $t_{pZL} \text{ (DIR to A)} = t_{pHZ} \text{ (DIR to B)} + t_{pHL} \text{ (B to A)}$
- $t_{pZH} \text{ (DIR to B)} = t_{pLZ} \text{ (DIR to A)} + t_{pLH} \text{ (A to B)}$
- $t_{pZL} \text{ (DIR to B)} = t_{pHZ} \text{ (DIR to A)} + t_{pHL} \text{ (A to B)}$

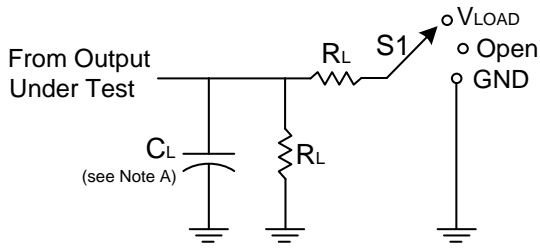
These times represent the length of time from a direction change plus the propagation time through the part.

A new input signal must not be applied until the new input pin has been disabled.

## Operating Characteristics (T<sub>A</sub> = +25°C, unless otherwise specified.)

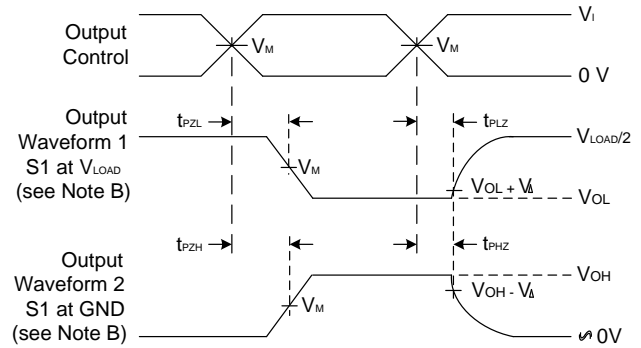
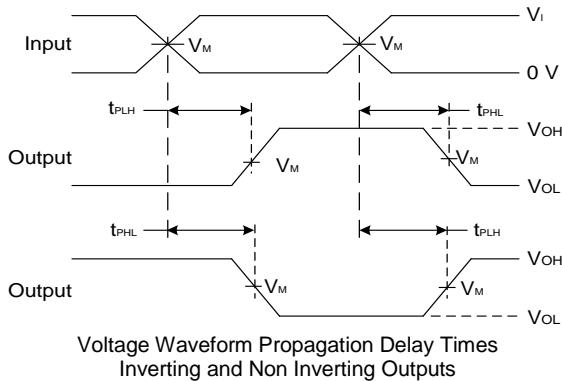
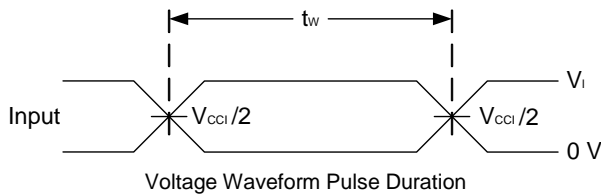
Parameter Power Dissipation Capacitance		Test Conditions	V <sub>CC</sub> (A) = V <sub>CC</sub> (B) = 1.8V	V <sub>CC</sub> (A) = V <sub>CC</sub> (B) = 2.5V	V <sub>CC</sub> (A) = V <sub>CC</sub> (B) = 3.3V	V <sub>CC</sub> (A) = V <sub>CC</sub> (B) = 5V	Unit
			Typ	Typ	Typ	Typ	
C <sub>pd</sub> (A)	A- Input, B- Output	C <sub>L</sub> = 0 pF f = 10 MHz tr = tf = 1 ns	3	4	4	4	pF
	B- Input, A- Output		18	19	20	21	
C <sub>pd</sub> (B)	A- Input, B- Output	C <sub>L</sub> = 0 pF f = 10 MHz tr = tf = 1 ns	18	19	20	21	pF
	B- Input, A- Output		3	4	4	4	

**Parameter Measurement Information**



TEST	S1
$t_{PLH}/t_{PHL}$	Open
$t_{PLZ}/t_{PZL}$	Vload
$t_{PHZ}/t_{PZH}$	GND

Vcc	Inputs		VM	VLOAD	CL	RL	VΔ
	VI	tr/td					
1.2V	VCCI	≤2ns	VCCO/2	2 × VCCO	15pF	2KΩ	0.15V
1.8V±0.15V	VCCI	≤2ns	VCCO/2	2 × VCCO	15pF	2KΩ	0.15V
2.5V±0.2V	VCCI	≤2ns	VCCO/2	2 × VCCO	15pF	2KΩ	0.15V
3.3V±0.3V	VCCI	≤2.5ns	VCCO/2	2 × VCCO	15pF	2KΩ	0.3V



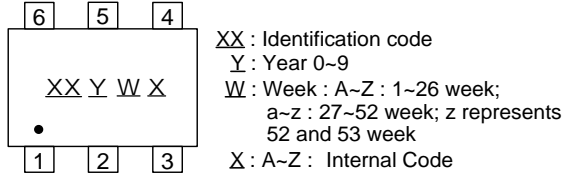
**Figure 1. Load Circuit and Voltage Waveforms**

- Notes:
- A. Includes test lead and test apparatus capacitance.
  - B. Waveform 1 is for an output with input set up as a low and device coming out or into 3-state via DIR control. Waveform 2 is for an output with input set up as a high and device coming out or into 3-state via DIR control.
  - C. All pulses are supplied at pulse repetition rate ≤ 10 MHz.
  - D.  $t_{PLZ}$  and  $t_{PHZ}$  are the same as  $t_{dis}$ .
  - E.  $t_{PZL}$  and  $t_{PZH}$  are the same as  $t_{EN}$ .
  - F.  $t_{PLH}$  and  $t_{PHL}$  are the same as  $t_{PD}$ .
  - G.  $V_{CCI}$  is the  $V_{CC}$  associated with the input.
  - F.  $V_{CCO}$  is the  $V_{CC}$  associated with the output.



**Marking Information**

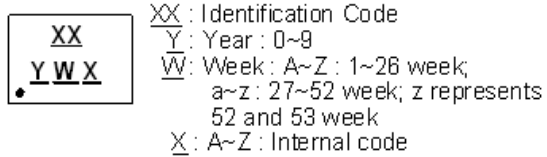
(1) SOT363, SOT563



Part Number	Package	Identification Code
74AVC1T45W6-7	SOT26	7A
74AVC1T45DW-7	SOT363	7B

(2) X2-DFN1010-6, X2-DFN1410-6, and X2-DFN1409-6

(Top View)

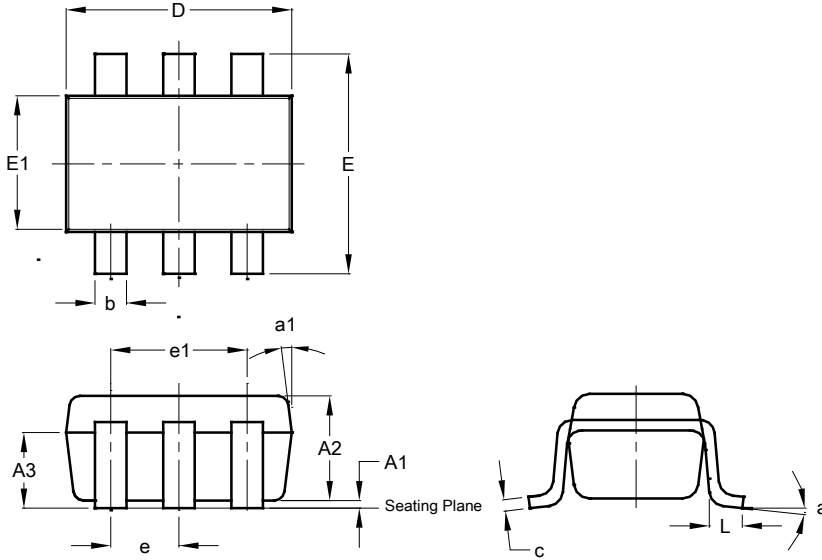


Part Number	Package	Identification Code
74AVC1T45FW3-7	X2-DFN0910-6	7A
74AVC1T45FW5-7	X1-DFN1010-6	7X
74AVC1T45FX4-7	X2-DFN1409-6	7B
74AVC1T45FZ4-7	X2-DFN1410-6	7C

**Package Outline Dimensions** (All dimensions in mm.)

Please see <http://www.diodes.com/package-outlines.html> for the latest version.

**SOT26 (SC74R)**

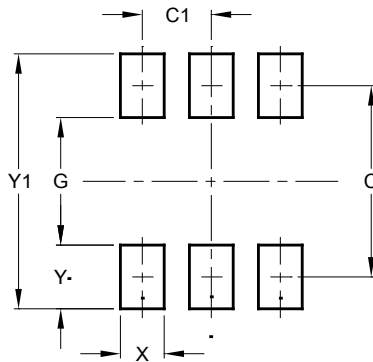


SOT26 (SC74R)			
Dim	Min	Max	Typ
A1	0.013	0.10	0.05
A2	1.00	1.30	1.10
A3	0.70	0.80	0.75
b	0.35	0.50	0.38
c	0.10	0.20	0.15
D	2.90	3.10	3.00
e	-	-	0.95
e1	-	-	1.90
E	2.70	3.00	2.80
E1	1.50	1.70	1.60
L	0.35	0.55	0.40
a	-	-	8°
a1	-	-	7°
<b>All Dimensions in mm</b>			

**Suggested Pad Layout**

Please see <http://www.diodes.com/package-outlines.html> for the latest version.

**SOT26 (SC74R)**

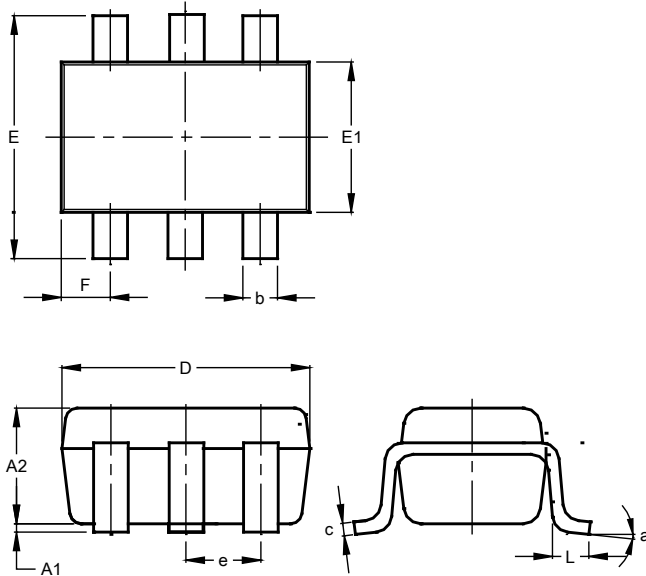


Dimensions	Value (in mm)
C	2.40
C1	0.95
G	1.60
X	0.55
Y	0.80
Y1	3.20

**Package Outline Dimensions** (All dimensions in mm.)

Please see <http://www.diodes.com/package-outlines.html> for the latest version.

**SOT363**

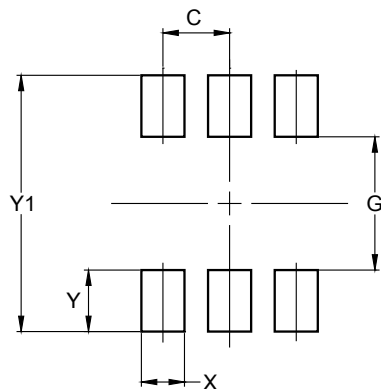


SOT363			
Dim	Min	Max	Typ
A1	0.00	0.10	0.05
A2	0.90	1.00	0.95
b	0.10	0.30	0.25
c	0.10	0.22	0.11
D	1.80	2.20	2.15
E	2.00	2.20	2.10
E1	1.15	1.35	1.30
e	0.650 BSC		
F	0.40	0.45	0.425
L	0.25	0.40	0.30
a	0°	8°	--
<b>All Dimensions in mm</b>			

**Suggested Pad Layout**

Please see <http://www.diodes.com/package-outlines.html> for the latest version.

**SOT363**

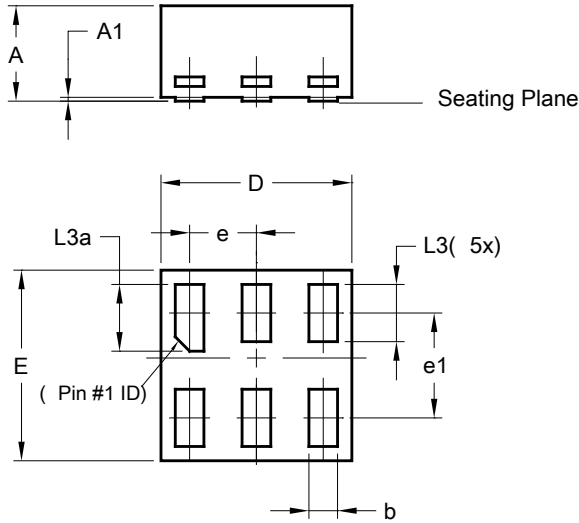


Dimensions	Value (in mm)
C	0.650
G	1.300
X	0.420
Y	0.600
Y1	2.500

**Package Outline Dimensions** (All dimensions in mm.)

Please see <http://www.diodes.com/package-outlines.html> for the latest version.

**X1-DFN1010-6 (Type B)**

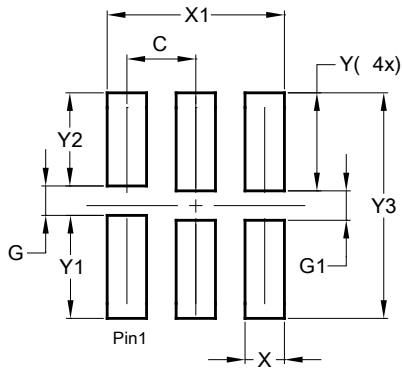


X1-DFN1010-6 (Type B)			
Dim	Min	Max	Typ
A	-	0.50	0.39
A1	-	0.04	-
b	0.12	0.20	0.15
D	0.95	1.050	1.00
E	0.95	1.050	1.00
e	0.35 BSC		
e1	0.55 BSC		
L3	0.27	0.30	0.30
L3a	0.32	0.40	0.35
All Dimensions in mm			

**Suggested Pad Layout**

Please see <http://www.diodes.com/package-outlines.html> for the latest version.

**X1-DFN1010-6 (Type B)**

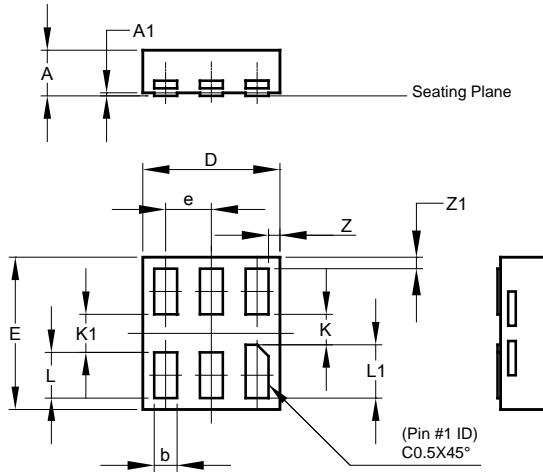


Dimensions	Value (in mm)
C	0.350
G	0.150
G1	0.150
X	0.200
X1	0.900
Y	0.500
Y1	0.525
Y2	0.475
Y3	1.150

**Package Outline Dimensions** (All dimensions in mm.)

Please see <http://www.diodes.com/package-outlines.html> for the latest version.

**X2-DFN0910-6**

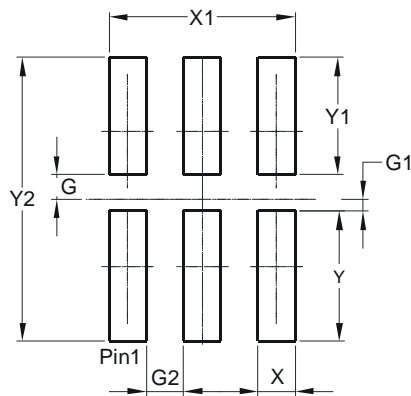


X2-DFN0910-6			
Dim	Min	Max	Typ
A	-	0.35	0.30
A1	0	0.03	0.02
b	0.10	0.20	0.15
D	0.85	0.95	0.90
E	0.95	1.05	1.00
e	-	-	0.30
K	0.20	-	-
K1	0.25	-	-
L	0.25	0.35	0.30
L1	0.30	0.40	0.35
Z	-	-	0.075
Z1	-	-	0.075
<b>All Dimensions in mm</b>			

**Suggested Pad Layout**

Please see <http://www.diodes.com/package-outlines.html> for the latest version.

**X2-DFN0910-6**

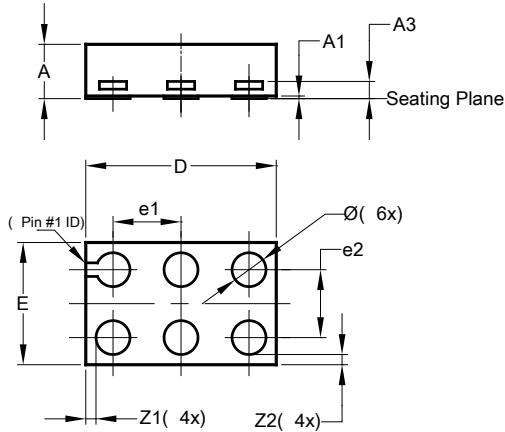


Dimensions	Value (in mm)
G	0.100
G1	0.050
G2	0.150
X	0.150
X1	0.750
Y	0.525
Y1	0.475
Y2	1.150

**Package Outline Dimensions** (All dimensions in mm.)

Please see <http://www.diodes.com/package-outlines.html> for the latest version.

**X2-DFN1409-6**

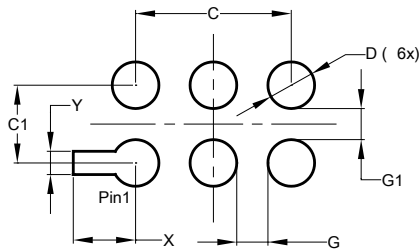


X2-DFN1409-6			
Dim	Min	Max	Typ
A	-	0.40	0.39
A1	0	0.05	0.02
A3	-	-	0.13
Ø	0.20	0.30	0.25
D	1.35	1.45	1.40
E	0.85	0.95	0.90
e1	-	-	0.50
e2	-	-	0.50
Z1	-	-	0.075
Z2	-	-	0.075
<b>All Dimensions in mm</b>			

**Suggested Pad Layout**

Please see <http://www.diodes.com/package-outlines.html> for the latest version.

**X2-DFN1409-6**

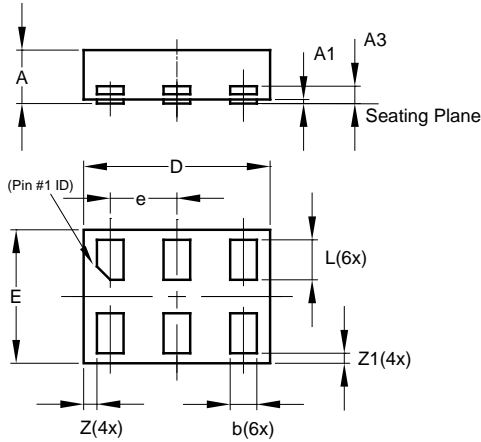


Dimensions	Value (in mm)
C	1.000
C1	0.500
D	0.300
G	0.200
G1	0.200
X	0.400
Y	0.150

**Package Outline Dimensions** (All dimensions in mm.)

Please see <http://www.diodes.com/package-outlines.html> for the latest version.

**X2-DFN1410-6**

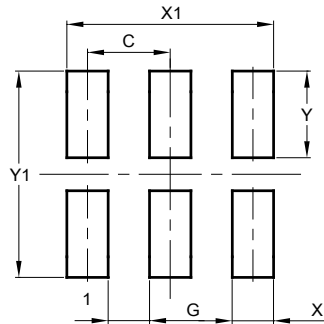


X2-DFN1410-6			
Dim	Min	Max	Typ
A	—	0.40	0.39
A1	0.00	0.05	0.02
A3	—	—	0.13
b	0.15	0.25	0.20
D	1.35	1.45	1.40
E	0.95	1.05	1.00
e	—	—	0.50
L	0.25	0.35	0.30
Z	—	—	0.10
Z1	0.045	0.105	0.075
All Dimensions in mm			

**Suggested Pad Layout**

Please see <http://www.diodes.com/package-outlines.html> for the latest version.

**X2-DFN1410-6**



Dimension	Value (in mm)
C	0.500
G	0.250
X	0.250
X1	1.250
Y	0.525
Y1	1.250

### IMPORTANT NOTICE

DIODES INCORPORATED MAKES NO WARRANTY OF ANY KIND, EXPRESS OR IMPLIED, WITH REGARDS TO THIS DOCUMENT, INCLUDING, BUT NOT LIMITED TO, THE IMPLIED WARRANTIES OF MERCHANTABILITY AND FITNESS FOR A PARTICULAR PURPOSE (AND THEIR EQUIVALENTS UNDER THE LAWS OF ANY JURISDICTION).

Diodes Incorporated and its subsidiaries reserve the right to make modifications, enhancements, improvements, corrections or other changes without further notice to this document and any product described herein. Diodes Incorporated does not assume any liability arising out of the application or use of this document or any product described herein; neither does Diodes Incorporated convey any license under its patent or trademark rights, nor the rights of others. Any Customer or user of this document or products described herein in such applications shall assume all risks of such use and will agree to hold Diodes Incorporated and all the companies whose products are represented on Diodes Incorporated website, harmless against all damages.

Diodes Incorporated does not warrant or accept any liability whatsoever in respect of any products purchased through unauthorized sales channel. Should Customers purchase or use Diodes Incorporated products for any unintended or unauthorized application, Customers shall indemnify and hold Diodes Incorporated and its representatives harmless against all claims, damages, expenses, and attorney fees arising out of, directly or indirectly, any claim of personal injury or death associated with such unintended or unauthorized application.

Products described herein may be covered by one or more United States, international or foreign patents pending. Product names and markings noted herein may also be covered by one or more United States, international or foreign trademarks.

This document is written in English but may be translated into multiple languages for reference. Only the English version of this document is the final and determinative format released by Diodes Incorporated.

### LIFE SUPPORT

Diodes Incorporated products are specifically not authorized for use as critical components in life support devices or systems without the express written approval of the Chief Executive Officer of Diodes Incorporated. As used herein:

A. Life support devices or systems are devices or systems which:

1. are intended to implant into the body, or
2. support or sustain life and whose failure to perform when properly used in accordance with instructions for use provided in the labeling can be reasonably expected to result in significant injury to the user.

B. A critical component is any component in a life support device or system whose failure to perform can be reasonably expected to cause the failure of the life support device or to affect its safety or effectiveness.

Customers represent that they have all necessary expertise in the safety and regulatory ramifications of their life support devices or systems, and acknowledge and agree that they are solely responsible for all legal, regulatory and safety-related requirements concerning their products and any use of Diodes Incorporated products in such safety-critical, life support devices or systems, notwithstanding any devices- or systems-related information or support that may be provided by Diodes Incorporated. Further, Customers must fully indemnify Diodes Incorporated and its representatives against any damages arising out of the use of Diodes Incorporated products in such safety-critical, life support devices or systems.

Copyright © 2018, Diodes Incorporated

[www.diodes.com](http://www.diodes.com)