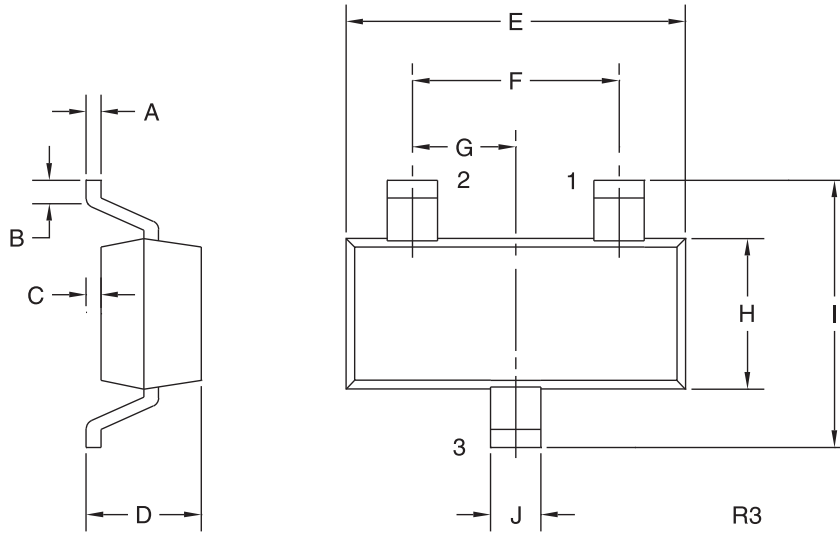


CMPTA42E NPN
 CMPTA92E PNP

ENHANCED SPECIFICATION
SURFACE MOUNT
COMPLEMENTARY
HIGH VOLTAGE
SILICON TRANSISTORS



SOT-23 CASE - MECHANICAL OUTLINE



LEAD CODE:

- 1) Base
- 2) Emitter
- 3) Collector

MARKING CODES:

CMPTA42E: C1DE
 CMPTA92E: C2DE

| DIMENSIONS | | | | |
|------------|--------|-------|-------------|------|
| SYMBOL | INCHES | | MILLIMETERS | |
| | MIN | MAX | MIN | MAX |
| A | 0.003 | 0.007 | 0.08 | 0.18 |
| B | 0.006 | - | 0.15 | - |
| C | - | 0.005 | - | 0.13 |
| D | 0.035 | 0.043 | 0.89 | 1.09 |
| E | 0.110 | 0.120 | 2.80 | 3.05 |
| F | 0.075 | | 1.90 | |
| G | 0.037 | | 0.95 | |
| H | 0.047 | 0.055 | 1.19 | 1.40 |
| I | 0.083 | 0.098 | 2.10 | 2.49 |
| J | 0.014 | 0.020 | 0.35 | 0.50 |

SOT-23 (REV: R3)

R3 (3-February 2010)

Mouser Electronics

Authorized Distributor

Click to View Pricing, Inventory, Delivery & Lifecycle Information:

[Central Semiconductor:](#)

[CMPTA42E TR PBFREE](#) [CMPTA92E TR PBFREE](#)