

**Electrical Characteristics @  $T_J = 25^\circ\text{C}$  (Per Diode) (unless otherwise specified)**

|       | Parameter                            | Min | Typ | Max   | Units         | Test Conditions                                    |
|-------|--------------------------------------|-----|-----|-------|---------------|--|
| $V_F$ | Forward Voltage ①<br>See Fig.1       | -   | -   | 1.060 | V             | $I_F = 50\text{A}, T_J = 25^\circ\text{C}$         |
|       |                                      | -   | -   | 0.89  |               | $I_F = 50\text{A}, T_J = 100^\circ\text{C}$        |
| $I_R$ | Reverse Leakage Current<br>See Fig.2 | -   | -   | 25    | $\mu\text{A}$ | $V_R = V_R \text{ Rated}$                          |
|       |                                      | -   | -   | 3.0   | mA            | $V_R = V_R \text{ Rated } T_J = 100^\circ\text{C}$ |

**Dynamic Recovery Characteristics @  $T_J = 25^\circ\text{C}$  (Per Diode) (unless otherwise specified)**

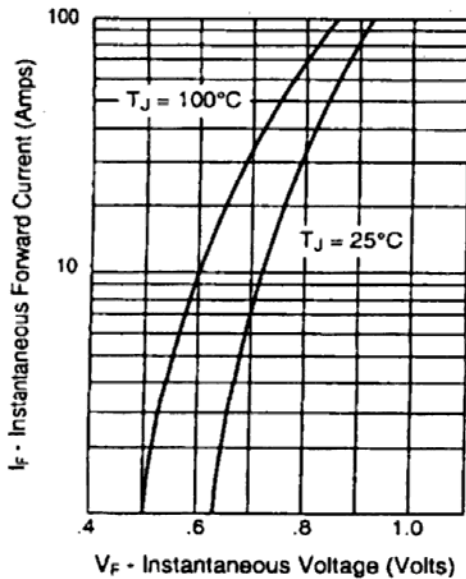
|          | Parameter             | Min | Typ | Max | Units | Test Conditions  |
|----------|-----------------------|-----|-----|-----|-------|--|
| $t_{rr}$ | Reverse Recovery Time | -   | -   | 50  | ns    | $I_F = 0.5\text{A}, I_R = 1.0\text{A}, I_{REC} = 0.25\text{A}$ |

**Thermal - Mechanical Characteristics**

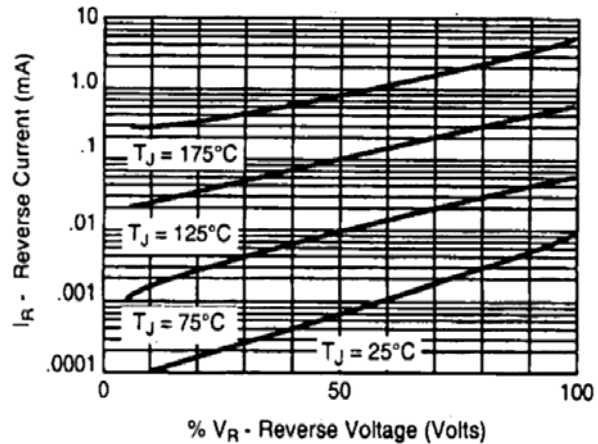
|            | Parameter        | Typ | Max | Units              |
|------------|------------------|-----|-----|--------------------|
| $R_{thJC}$ | Junction-to-Case | -   | 1.0 | $^\circ\text{C/W}$ |

**Note:**

① Pulse Test: Pulse Width = 300 $\mu\text{s}$ , Duty Cycle 2.0%.

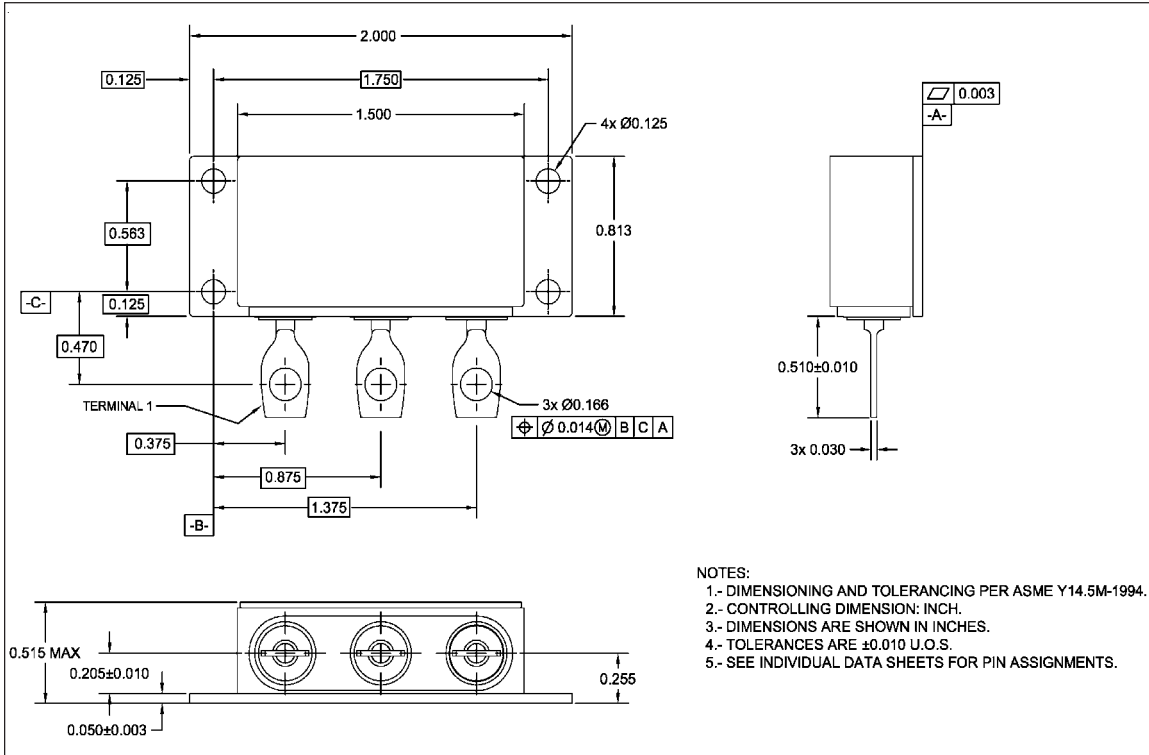


**Fig. 1** - Typical Forward Voltage Drop Vs. Instantaneous Forward Current



**Fig. 2** - Typical Reverse Current Vs. Reverse Voltage

**Case Outline and Dimensions — 3-Terminal Power Block (PB-3A)**



**Part Numbering Nomenclature**

