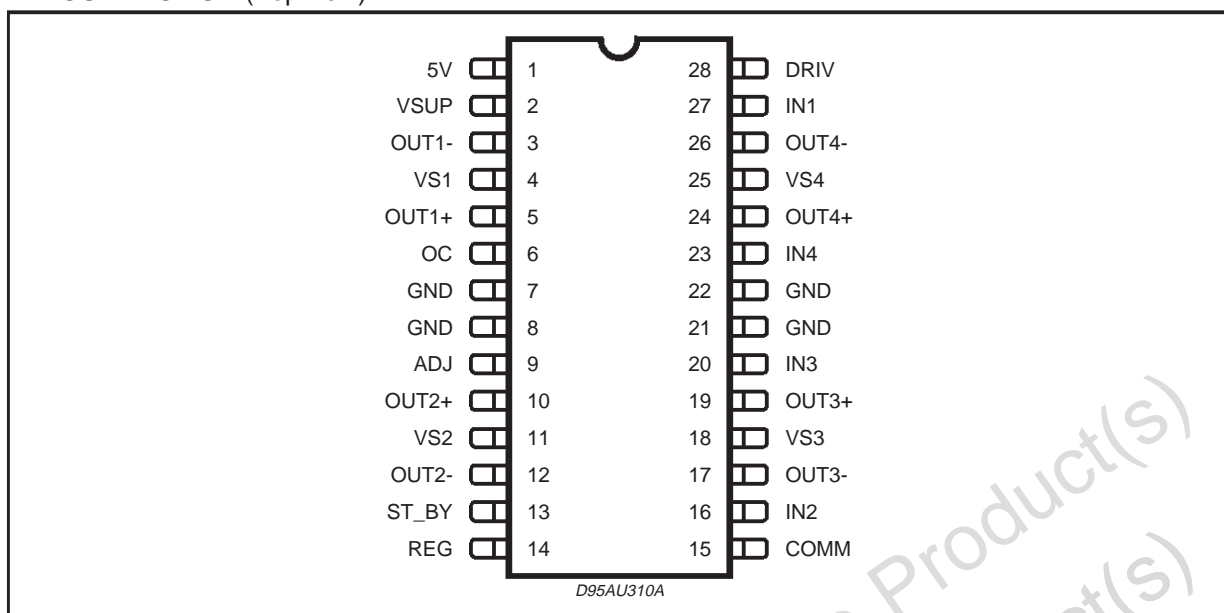


## TDA7473

### PIN CONNECTION (Top view)



### PIN FUNCTIONS

N. Pin	Name	Description
1	5V	5V regulated input
2	VSUP	Positive power supply (battery)
3	OUT1-	1.st channel negative output
4	VS1	1.st channel power supply
5	OUT1+	1.st channel positive output
6	OC	Overcurrent sense input
7	GND	Ground
8	GND	Ground
9	ADJ	Regulated voltage adjust input
10	OUT2+	2.nd channel positive output
11	VS2	2.nd channel power supply
12	OUT2-	2.nd channel negative output
13	ST_BY	Stand_by
14	REG	Regulated voltage output
15	COMM	Common negative input
16	IN2	Positive input for the 2.nd channel
17	OUT3-	3.rd channel negative output
18	VS3	3.rd channel power supply
19	OUT3+	3.rd channel positive output
20	IN3	Positive input for the 3.rd channel
21	GND	Ground
22	GND	Ground
23	IN4	Positive input for the 4.th channel
24	OUT4+	4.th channel positive output
25	VS4	4.th channel power supply
26	OUT4-	4.th channel negative output
27	IN1	Positive input for the 1.st channel
28	DRIV	Pass transistor driver

## ABSOLUTE MAXIMUM RATINGS

Symbol	Parameter	Value	Unit
V <sub>SUP</sub>	DC Supply Voltage	18	V
V <sub>S</sub>	Channel Power Supply	6	V
T <sub>OP</sub>	Operating Temperature Range	-25 to 80	°C
T <sub>J</sub>	Maximum Junction Temperature	150	°C

## THERMAL DATA

Symbol	Parameter	Value	Unit
R <sub>th j-amb</sub>	Thermal Resistance Junction to Ambient	Max. 50 (*)	°C/W
R <sub>th j-pins</sub>	Thermal Resistance Junction to Pins	Typ. 17	°C/W

(\*) with 6cm<sup>2</sup> of copper heatsink on board.

ELECTRICAL CHARACTERISTICS (@ V<sub>SUP</sub> = 6V, T<sub>amb</sub> = 25°C, unless otherwise specified.)

Symbol	Parameter	Test Condition	Min.	Typ.	Max.	Unit
V <sub>SUP</sub>	Supply Voltage		6		15	V
	Maximum Power Dissipation (1)			1.5		W
	Quiescent current (2) from V <sub>S</sub>	V <sub>(pin 4, 11, 18, 25)</sub> = 5V		20	35	mA
	Quiescent current (2) from 5V	V <sub>(pin 1)</sub> = 5V, R <sub>2</sub> = ∞		1.8	2.5	mA
	Quiescent current (2) from V <sub>SUP</sub>	V <sub>SUP</sub> = 15V		1.3	2.5	mA
		V <sub>SUP</sub> = 6V		1	2	mA
	Stand-by current from 5V (pin 1)	V <sub>(pin 1)</sub> = 5V, R <sub>2</sub> = ∞		1.2	2	mA
	Stand-by current from V <sub>SUP</sub>	V <sub>SUP</sub> = 5V		0.4	0.8	mA
		V <sub>SUP</sub> = 6V		0.3	0.6	mA
<b>CHANNELS BTL</b>						
	Peak output current for channels		0.6			A
V <sub>SAT</sub>	VSATHIGH SIDE	I = 0.6A; V <sub>S</sub> = 5V		1.3	1.6	A
	VSATLOW SIDE	I = 0.6A; V <sub>S</sub> = 5V		0.7	0.9	A
	Output voltage swing peak-to-peak	V <sub>S</sub> = 5V, I <sub>out</sub> = 0.6A	5.5	6		V <sub>pp</sub>
	Voltage gain for channels		25.5	26.5	27.5	dB
	Channel's output offset voltage		-180	-50	100	mV
VST-BY	Channel St-By Threshold	Active --> St-By	0.65 V <sub>reg</sub>	0.75 V <sub>reg</sub>	0.85 V <sub>reg</sub>	V
		St-By --> Active		0.50 V <sub>reg</sub>		V
<b>REGULATORS</b>						
V <sub>LV</sub>	V <sub>pin 1</sub>	I <sub>out</sub> = 0.2A	4.85	5.05	5.25	V
	Min drop 5V --> REG	I <sub>out</sub> = 0.2A		1.2	1.3	V
I <sub>DRIV</sub>	Output current from DRIV for pass-transistor driving		50	100		mA
	Output current from DRIV in stand-by		20	50	80	mA
	DROP V <sub>SUP</sub> --> DRIV	I <sub>DRIV</sub> = 20mA		0.2	0.25	V
	Threshold voltage for overcurr. protection (VSUP - OC)	V <sub>SUP</sub> = 6V	190	230	270	mV
		V <sub>SUP</sub> = 12V	120	160	200	mV
		V <sub>SUP</sub> = 15V	80	100	120	mV
V <sub>REG</sub>	Regulator Voltage	R1, R2 = 1KΩ	2.45	2.53	2.65	V
	Min REG voltage (settable)			1.8	2	V
	Max REG voltage (settable)		3.6	3.8		V
	Output current from REG in Stand-by	R1, R2 = 1KΩ	20			mA

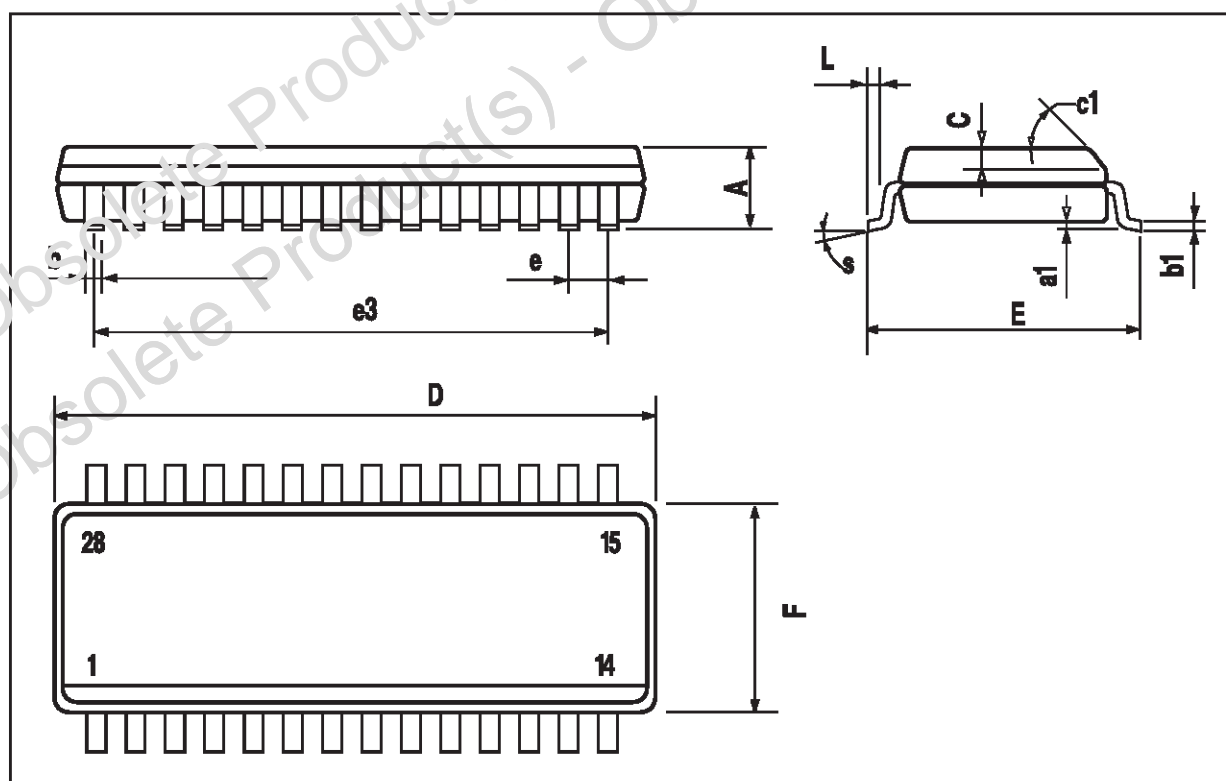
(1) @ T<sub>amb</sub> = 70°C, on board 6cm<sup>2</sup> copper heatsink

(2) INx = COMM; no loads on the regulators outputs

(3) Device is active when St-By = Low

## SO28 PACKAGE MECHANICAL DATA

DIM.	mm			inch		
	MIN.	TYP.	MAX.	MIN.	TYP.	MAX.
A			2.65			0.104
a1	0.1		0.3	0.004		0.012
b	0.35		0.49	0.014		0.019
b1	0.23		0.32	0.009		0.013
C		0.5			0.020	
c1	45° (typ.)					
D	17.7		18.1	0.697		0.713
E	10		10.65	0.394		0.419
e		1.27			0.050	
e3		16.51			0.65	
F	7.4		7.6	0.291		0.299
L	0.4		0.27	0.016		0.050
S	8° (max.)					



Obsolete Product(s) - Obsolete Product(s)  
Obsolete Product(s) - Obsolete Product(s)

Information furnished is believed to be accurate and reliable. However, STMicroelectronics assumes no responsibility for the consequences of use of such information nor for any infringement of patents or other rights of third parties which may result from its use. No license is granted by implication or otherwise under any patent or patent rights of STMicroelectronics. Specification mentioned in this publication are subject to change without notice. This publication supersedes and replaces all information previously supplied. STMicroelectronics products are not authorized for use as critical components in life support devices or systems without express written approval of STMicroelectronics.

The ST logo is a registered trademark of STMicroelectronics

© 1998 STMicroelectronics – Printed in Italy – All Rights Reserved

STMicroelectronics GROUP OF COMPANIES

Australia - Brazil - Canada - China - France - Germany - Italy - Japan - Korea - Malaysia - Malta - Mexico - Morocco - The Netherlands - Singapore - Spain - Sweden - Switzerland - Taiwan - Thailand - United Kingdom - U.S.A.

# Mouser Electronics

Authorized Distributor

Click to View Pricing, Inventory, Delivery & Lifecycle Information:

[STMicroelectronics:](#)

[TDA7473A](#)