

# MC14020B

## 14-Bit Binary Counter

The MC14020B 14-stage binary counter is constructed with MOS P-Channel and N-Channel enhancement mode devices in a single monolithic structure. This part is designed with an input wave shaping circuit and 14 stages of ripple-carry binary counter. The device advances the count on the negative-going edge of the clock pulse. Applications include time delay circuits, counter controls, and frequency-dividing circuits.

### Features

- Fully Static Operation
- Diode Protection on All Inputs
- Supply Voltage Range = 3.0 Vdc to 18 Vdc
- Capable of Driving Two Low-power TTL Loads or One Low-power Schottky TTL Load Over the Rated Temperature Range
- Buffered Outputs Available from stages 1 and 4 thru 14
- Common Reset Line
- Pin-for-Pin Replacement for CD4020B
- NLV Prefix for Automotive and Other Applications Requiring Unique Site and Control Change Requirements; AEC-Q100 Qualified and PPAP Capable
- These Devices are Pb-Free and are RoHS Compliant

### MAXIMUM RATINGS (Voltages Referenced to $V_{SS}$ )

| Symbol            | Parameter   | Value                  | Unit               |
|-------------------|---|------------------------|--------------------|
| $V_{DD}$          | DC Supply Voltage Range                           | -0.5 to +18.0          | V                  |
| $V_{in}, V_{out}$ | Input or Output Voltage Range (DC or Transient)   | -0.5 to $V_{DD} + 0.5$ | V                  |
| $I_{in}, I_{out}$ | Input or Output Current (DC or Transient) per Pin | $\pm 10$               | mA                 |
| $P_D$             | Power Dissipation, per Package (Note 1)           | 500                    | mW                 |
| $T_A$             | Ambient Temperature Range                         | -55 to +125            | $^{\circ}\text{C}$ |
| $T_{stg}$         | Storage Temperature Range                         | -65 to +150            | $^{\circ}\text{C}$ |
| $T_L$             | Lead Temperature (8-Second Soldering)             | 260                    | $^{\circ}\text{C}$ |

Stresses exceeding those listed in the Maximum Ratings table may damage the device. If any of these limits are exceeded, device functionality should not be assumed, damage may occur and reliability may be affected.

1. Temperature Derating: "D/DW" Packages: -7.0 mW/ $^{\circ}\text{C}$  From 65 $^{\circ}\text{C}$  To 125 $^{\circ}\text{C}$

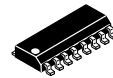
This device contains protection circuitry to guard against damage due to high static voltages or electric fields. However, precautions must be taken to avoid applications of any voltage higher than maximum rated voltages to this high-impedance circuit. For proper operation,  $V_{in}$  and  $V_{out}$  should be constrained to the range  $V_{SS} \leq (V_{in} \text{ or } V_{out}) \leq V_{DD}$ .

Unused inputs must always be tied to an appropriate logic voltage level (e.g., either  $V_{SS}$  or  $V_{DD}$ ). Unused outputs must be left open.



ON Semiconductor®

<http://onsemi.com>

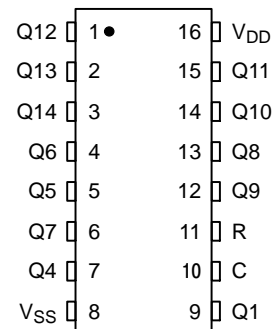


SOIC-16  
D SUFFIX  
CASE 751B

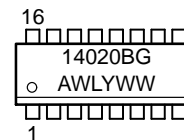


TSSOP-16  
DT SUFFIX  
CASE 948F

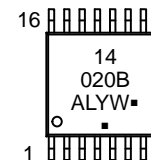
### PIN ASSIGNMENT



### MARKING DIAGRAMS



SOIC-16



TSSOP-16

- A = Assembly Location
- WL, L = Wafer Lot
- YY, Y = Year
- WW, W = Work Week
- G or ■ = Pb-Free Indicator

(Note: Microdot may be in either location)

### ORDERING INFORMATION

See detailed ordering and shipping information in the package dimensions section on page 2 of this data sheet.

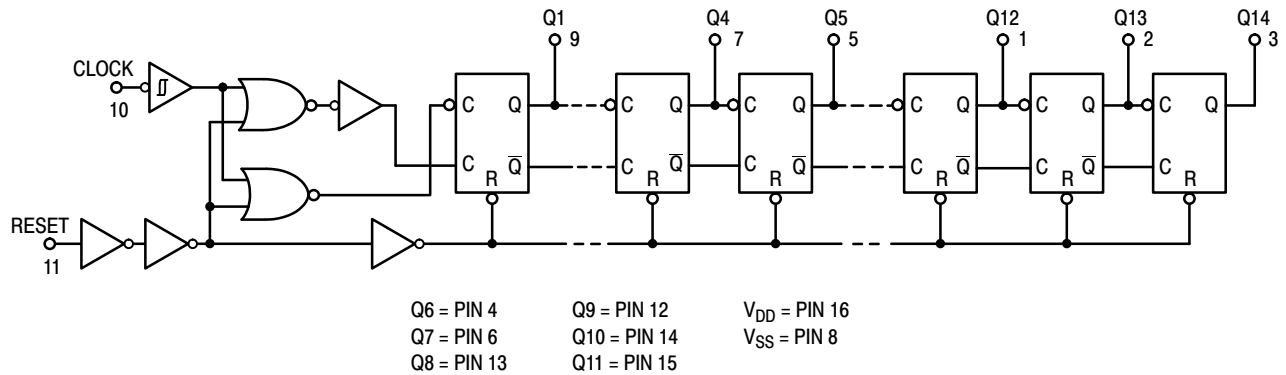
# MC14020B

## TRUTH TABLE

| Clock | Reset | Output State          |
|-------|-------|-----------------------|
|       | 0     | No Change             |
|       | 0     | Advance to Next State |
| X     | 1     | All Outputs are Low   |

X = Don't Care

## LOGIC DIAGRAM



## ORDERING INFORMATION

| Device         | Package               | Shipping <sup>†</sup>    |
|----------------|-----------------------|--------------------------|
| MC14020BDG     | SOIC-16<br>(Pb-Free)  | 48 Units / Rail          |
| MC14020BDR2G   | SOIC-16<br>(Pb-Free)  | 2500 Units / Tape & Reel |
| NLV14020BDR2G* | SOIC-16<br>(Pb-Free)  | 2500 Units / Tape & Reel |
| MC14020BDTG    | TSSOP-16<br>(Pb-Free) | 96 Units / Rail          |

<sup>†</sup>For information on tape and reel specifications, including part orientation and tape sizes, please refer to our Tape and Reel Packaging Specifications Brochure, BRD8011/D.

\*NLV Prefix for Automotive and Other Applications Requiring Unique Site and Control Change Requirements; AEC-Q100 Qualified and PPAP Capable.

# MC14020B

## ELECTRICAL CHARACTERISTICS (Voltages Referenced to V<sub>SS</sub>)

| Characteristic  | Symbol          | V <sub>DD</sub><br>Vdc | -55°C   |       | 25°C |                 |       | 125°C |       | Unit |      |
|---|-----------------|------------------------|---|-------|------|-----------------|-------|-------|-------|------|------|
|   |                 |                        | Min   | Max   | Min  | Typ<br>(Note 2) | Max   | Min   | Max   |      |      |
| Output Voltage<br>V <sub>in</sub> = V <sub>DD</sub> or 0  | "0" Level       | V <sub>OL</sub>        | 5.0   | -     | 0.05 | -               | 0     | 0.05  | -     | 0.05 | Vdc  |
|   |                 |                        | 10  | -     | 0.05 | -               | 0     | 0.05  | -     | 0.05 |      |
|   |                 |                        | 15  | -     | 0.05 | -               | 0     | 0.05  | -     | 0.05 |      |
|   | "1" Level       | V <sub>OH</sub>        | 5.0   | 4.95  | -    | 4.95            | 5.0   | -     | 4.95  | -    | Vdc  |
|   |                 |                        | 10  | 9.95  | -    | 9.95            | 10    | -     | 9.95  | -    |      |
|   |                 |                        | 15  | 14.95 | -    | 14.95           | 15    | -     | 14.95 | -    |      |
| Input Voltage<br>(V <sub>O</sub> = 4.5 or 0.5 Vdc)<br>(V <sub>O</sub> = 9.0 or 1.0 Vdc)<br>(V <sub>O</sub> = 13.5 or 1.5 Vdc)                       | "0" Level       | V <sub>IL</sub>        | 5.0   | -     | 1.5  | -               | 2.25  | 1.5   | -     | 1.5  | Vdc  |
|   |                 |                        | 10  | -     | 3.0  | -               | 4.50  | 3.0   | -     | 3.0  |      |
|   |                 |                        | 15  | -     | 4.0  | -               | 6.75  | 4.0   | -     | 4.0  |      |
|   | "1" Level       | V <sub>IH</sub>        | 5.0   | 3.5   | -    | 3.5             | 2.75  | -     | 3.5   | -    | Vdc  |
|   |                 |                        | 10  | 7.0   | -    | 7.0             | 5.50  | -     | 7.0   | -    |      |
|   |                 |                        | 15  | 11    | -    | 11              | 8.25  | -     | 11    | -    |      |
| Output Drive Current<br>(V <sub>OH</sub> = 2.5 Vdc)<br>(V <sub>OH</sub> = 4.6 Vdc)<br>(V <sub>OH</sub> = 9.5 Vdc)<br>(V <sub>OH</sub> = 13.5 Vdc)   | Source          | I <sub>OH</sub>        | 5.0   | -3.0  | -    | -2.4            | -4.2  | -     | -1.7  | -    | mAdc |
|   |                 |                        | 5.0   | -0.64 | -    | -0.51           | -0.88 | -     | -0.36 | -    |      |
|   |                 |                        | 10  | -1.6  | -    | -1.3            | -2.25 | -     | -0.9  | -    |      |
|   |                 |                        | 15  | -4.2  | -    | -3.4            | -8.8  | -     | -2.4  | -    |      |
|   | Sink            | I <sub>OL</sub>        | 5.0   | 0.64  | -    | 0.51            | 0.88  | -     | 0.36  | -    | mAdc |
|   |                 |                        | 10  | 1.6   | -    | 1.3             | 2.25  | -     | 0.9   | -    |      |
| 15  | 4.2             | -                      | 3.4   | 8.8   | -    | 2.4             | -     | -     |       |      |      |
| Input Current   | I <sub>in</sub> | 15                     | -   | ±0.1  | -    | ±0.00001        | ±0.1  | -     | ±1.0  | μAdc |      |
| Input Capacitance<br>(V <sub>in</sub> = 0)  | C <sub>in</sub> | -                      | -   | -     | -    | 5.0             | 7.5   | -     | -     | pF   |      |
| Quiescent Current<br>(Per Package)  | I <sub>DD</sub> | 5.0                    | -   | 5.0   | -    | 0.005           | 5.0   | -     | 150   | μAdc |      |
|   |                 | 10                     | -   | 10    | -    | 0.010           | 10    | -     | 300   |      |      |
|   |                 | 15                     | -   | 20    | -    | 0.015           | 20    | -     | 600   |      |      |
| Total Supply Current (Notes 3 & 4)<br>(Dynamic plus Quiescent,<br>Per Package)<br>(C <sub>L</sub> = 50 pF on all outputs, all<br>buffers switching) | I <sub>T</sub>  | 5.0<br>10<br>15        | I <sub>T</sub> = (0.42 μA/kHz)f + I <sub>DD</sub><br>I <sub>T</sub> = (0.85 μA/kHz)f + I <sub>DD</sub><br>I <sub>T</sub> = (1.43 μA/kHz)f + I <sub>DD</sub> |       |      |                 |       |       | μAdc  |      |      |

Product parametric performance is indicated in the Electrical Characteristics for the listed test conditions, unless otherwise noted. Product performance may not be indicated by the Electrical Characteristics if operated under different conditions.

- Data labelled "Typ" is not to be used for design purposes but is intended as an indication of the IC's potential performance.
- The formulas given are for the typical characteristics only at 25°C.
- To calculate total supply current at loads other than 50 pF:

$$I_T(C_L) = I_T(50 \text{ pF}) + (C_L - 50) Vfk$$

where: I<sub>T</sub> is in μA (per package), C<sub>L</sub> in pF, V = (V<sub>DD</sub> - V<sub>SS</sub>) in volts, f in kHz is input frequency, and k = 0.001.

# MC14020B

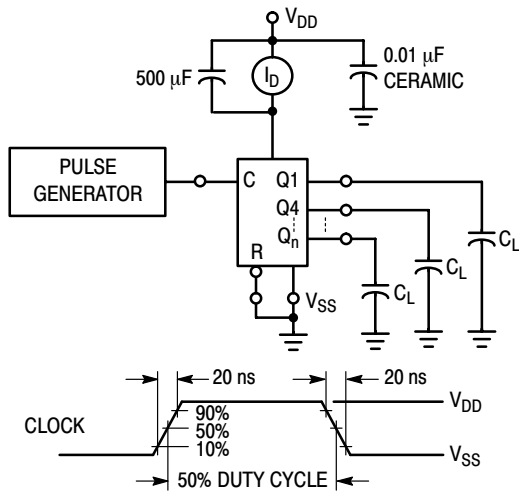
## SWITCHING CHARACTERISTICS (Note 5) ( $C_L = 50 \text{ pF}$ , $T_A = 25^\circ\text{C}$ )

| Characteristic   | Symbol                   | $V_{DD}$<br>Vdc | Min                | Typ<br>(Note 6)    | Max                  | Unit |
|--|--------------------------|-----------------|--------------------|--------------------|----------------------|------|
| Output Rise and Fall Time<br>$t_{TLH}$ , $t_{THL} = (1.5 \text{ ns/pF}) C_L + 25 \text{ ns}$<br>$t_{TLH}$ , $t_{THL} = (0.75 \text{ ns/pF}) C_L + 12.5 \text{ ns}$<br>$t_{TLH}$ , $t_{THL} = (0.55 \text{ ns/pF}) C_L + 9.5 \text{ ns}$          | $t_{TLH}$ ,<br>$t_{THL}$ | 5.0<br>10<br>15 | –<br>–<br>–        | 100<br>50<br>40    | 200<br>100<br>80     | ns   |
| Propagation Delay Time<br>Clock to Q1<br>$t_{PHL}$ , $t_{PLH} = (1.7 \text{ ns/pF}) C_L + 175 \text{ ns}$<br>$t_{PHL}$ , $t_{PLH} = (0.66 \text{ ns/pF}) C_L + 82 \text{ ns}$<br>$t_{PHL}$ , $t_{PLH} = (0.5 \text{ ns/pF}) C_L + 55 \text{ ns}$ | $t_{PLH}$ ,<br>$t_{PHL}$ | 5.0<br>10<br>15 | –<br>–<br>–        | 260<br>115<br>80   | 520<br>230<br>160    | ns   |
| Clock to Q14<br>$t_{PHL}$ , $t_{PLH} = (1.7 \text{ ns/pF}) C_L + 1735 \text{ ns}$<br>$t_{PHL}$ , $t_{PLH} = (0.66 \text{ ns/pF}) C_L + 772 \text{ ns}$<br>$t_{PHL}$ , $t_{PLH} = (0.5 \text{ ns/pF}) C_L + 535 \text{ ns}$                       |                          | 5.0<br>10<br>15 | –<br>–<br>–        | 1820<br>805<br>560 | 3900<br>1725<br>1200 | ns   |
| Propagation Delay Time<br>Reset to $Q_n$<br>$t_{PHL} = (1.7 \text{ ns/pF}) C_L + 285 \text{ ns}$<br>$t_{PHL} = (0.66 \text{ ns/pF}) C_L + 122 \text{ ns}$<br>$t_{PHL} = (0.5 \text{ ns/pF}) C_L + 90 \text{ ns}$                                 | $t_{PHL}$                | 5.0<br>10<br>15 | –<br>–<br>–        | 370<br>155<br>115  | 740<br>310<br>230    | ns   |
| Clock Pulse Width  | $t_{WH}$                 | 5.0<br>10<br>15 | 500<br>165<br>125  | 140<br>55<br>38    | –<br>–<br>–          | ns   |
| Clock Pulse Frequency  | $f_{max}$                | 5.0<br>10<br>15 | 1.0<br>3.0<br>4.0  | 2.0<br>6.0<br>8.0  | –<br>–<br>–          | MHz  |
| Clock Rise and Fall Time   | $t_{TLH}$ , $t_{THL}$    | 5.0<br>10<br>15 | No Limit           |                    |                      | –    |
| Reset Pulse Width  | $t_{WL}$                 | 5.0<br>10<br>15 | 3000<br>550<br>420 | 320<br>120<br>80   | –<br>–<br>–          | ns   |
| Reset Recovery Time  | $t_{rec}$                | 5.0<br>10<br>15 | –<br>–<br>–        | 65<br>25<br>15     | 130<br>50<br>30      | ns   |

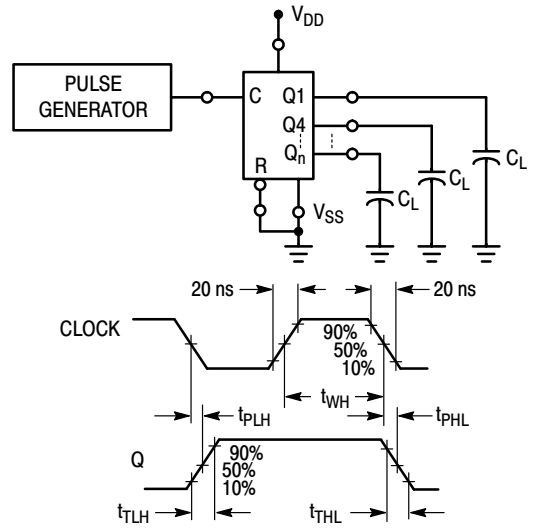
5. The formulas given are for the typical characteristics only at 25°C.

6. Data labelled "Typ" is not to be used for design purposes but is intended as an indication of the IC's potential performance.

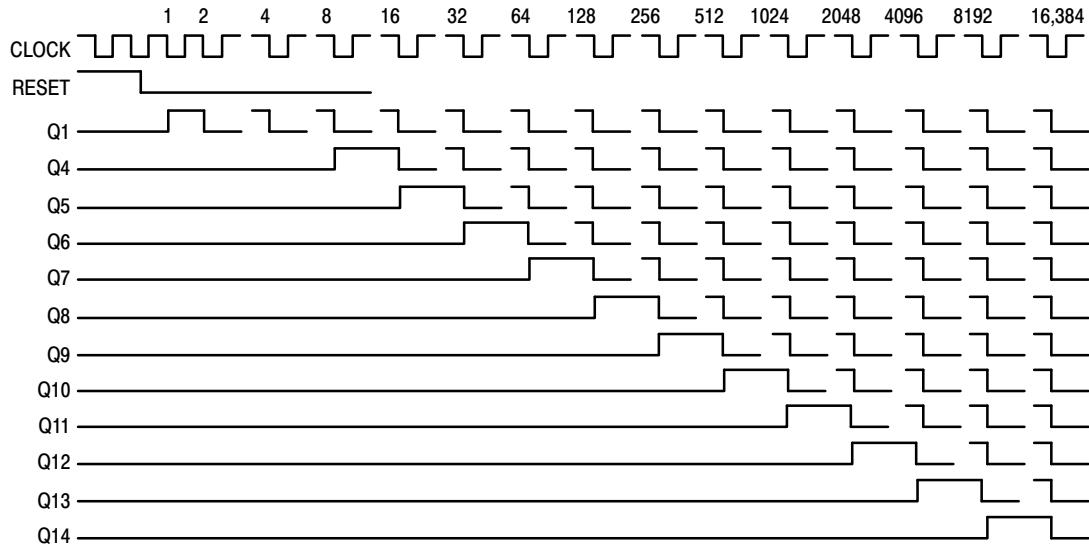
# MC14020B



**Figure 1. Power Dissipation Test Circuit and Waveform**



**Figure 2. Switching Time Test Circuit and Waveforms**

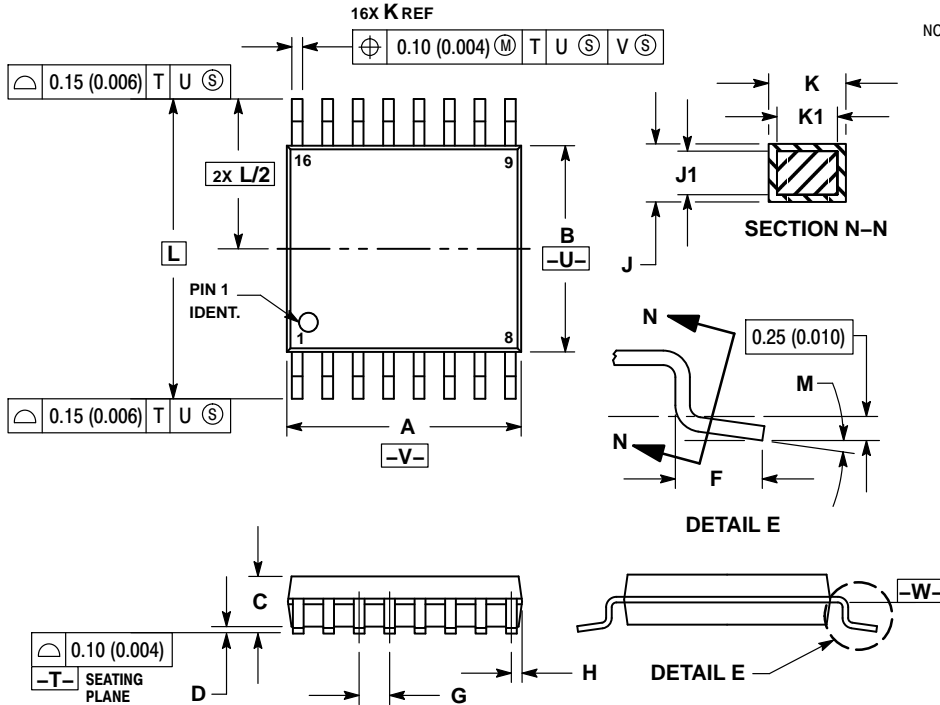


**Figure 3. Timing Diagram**

# MC14020B

## PACKAGE DIMENSIONS

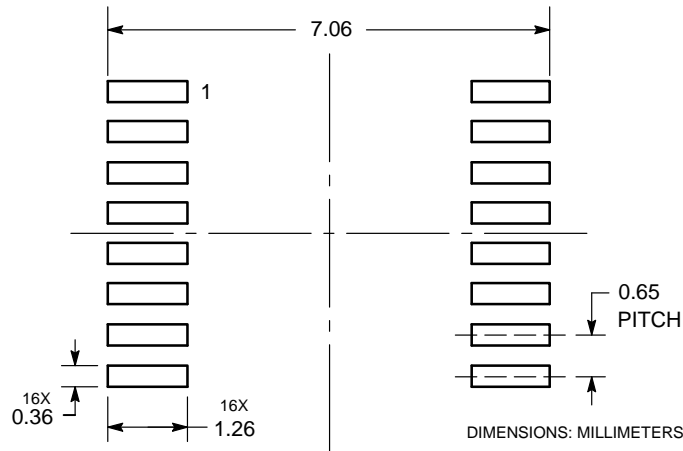
TSSOP-16  
DT SUFFIX  
PLASTIC TSSOP PACKAGE  
CASE 948F  
ISSUE B



- NOTES:
1. DIMENSIONING AND TOLERANCING PER ANSI Y14.5M, 1982.
  2. CONTROLLING DIMENSION: MILLIMETER.
  3. DIMENSION A DOES NOT INCLUDE MOLD FLASH. PROTRUSIONS OR GATE BURRS. MOLD FLASH OR GATE BURRS SHALL NOT EXCEED 0.15 (0.006) PER SIDE.
  4. DIMENSION B DOES NOT INCLUDE INTERLEAD FLASH OR PROTRUSION. INTERLEAD FLASH OR PROTRUSION SHALL NOT EXCEED 0.25 (0.010) PER SIDE.
  5. DIMENSION K DOES NOT INCLUDE DAMBAR PROTRUSION. ALLOWABLE DAMBAR PROTRUSION SHALL BE 0.08 (0.003) TOTAL IN EXCESS OF THE K DIMENSION AT MAXIMUM MATERIAL CONDITION.
  6. TERMINAL NUMBERS ARE SHOWN FOR REFERENCE ONLY.
  7. DIMENSION A AND B ARE TO BE DETERMINED AT DATUM PLANE -W-.

| DIM | MILLIMETERS |      | INCHES    |       |
|-----|-------------|------|-----------|-------|
|     | MIN         | MAX  | MIN       | MAX   |
| A   | 4.90        | 5.10 | 0.193     | 0.200 |
| B   | 4.30        | 4.50 | 0.169     | 0.177 |
| C   | ---         | 1.20 | ---       | 0.047 |
| D   | 0.05        | 0.15 | 0.002     | 0.006 |
| F   | 0.50        | 0.75 | 0.020     | 0.030 |
| G   | 0.65 BSC    |      | 0.026 BSC |       |
| H   | 0.18        | 0.28 | 0.007     | 0.011 |
| J   | 0.09        | 0.20 | 0.004     | 0.008 |
| J1  | 0.09        | 0.16 | 0.004     | 0.006 |
| K   | 0.19        | 0.30 | 0.007     | 0.012 |
| K1  | 0.19        | 0.25 | 0.007     | 0.010 |
| L   | 6.40 BSC    |      | 0.252 BSC |       |
| M   | 0°          | 8°   | 0°        | 8°    |

### SOLDERING FOOTPRINT\*

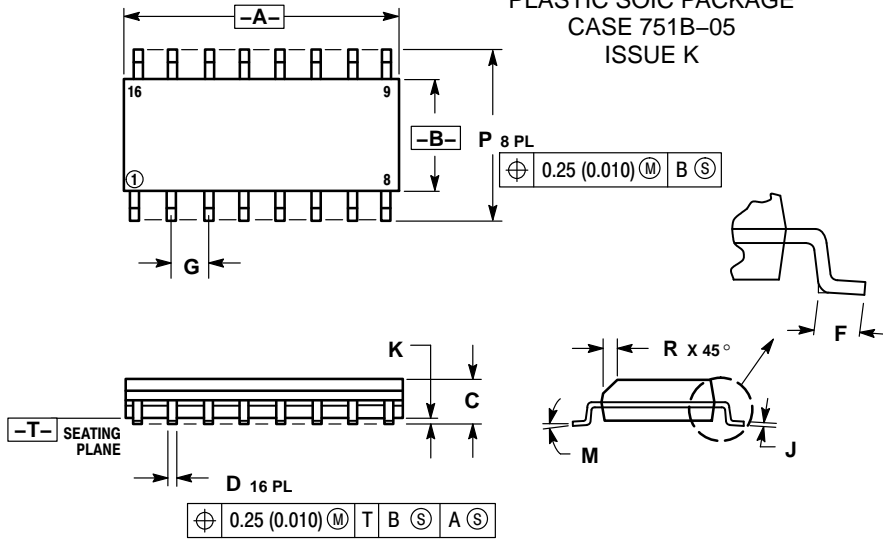


\*For additional information on our Pb-Free strategy and soldering details, please download the ON Semiconductor Soldering and Mounting Techniques Reference Manual, SOLDERRM/D.

# MC14020B

## PACKAGE DIMENSIONS

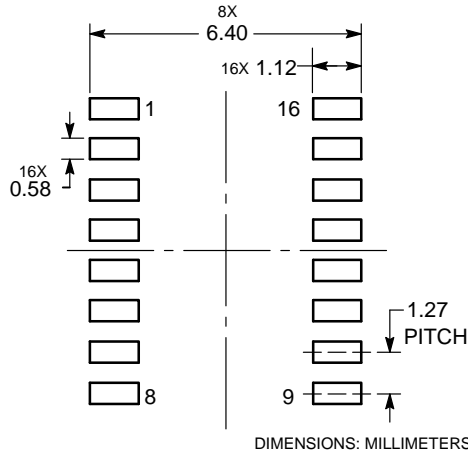
### SOIC-16 D SUFFIX PLASTIC SOIC PACKAGE CASE 751B-05 ISSUE K



- NOTES:
1. DIMENSIONING AND TOLERANCING PER ANSI Y14.5M, 1982.
  2. CONTROLLING DIMENSION: MILLIMETER.
  3. DIMENSIONS A AND B DO NOT INCLUDE MOLD PROTRUSION.
  4. MAXIMUM MOLD PROTRUSION 0.15 (0.006) PER SIDE.
  5. DIMENSION D DOES NOT INCLUDE DAMBAR PROTRUSION. ALLOWABLE DAMBAR PROTRUSION SHALL BE 0.127 (0.005) TOTAL IN EXCESS OF THE D DIMENSION AT MAXIMUM MATERIAL CONDITION.

| DIM | MILLIMETERS |       | INCHES    |       |
|-----|-------------|-------|-----------|-------|
|     | MIN         | MAX   | MIN       | MAX   |
| A   | 9.80        | 10.00 | 0.386     | 0.393 |
| B   | 3.80        | 4.00  | 0.150     | 0.157 |
| C   | 1.35        | 1.75  | 0.054     | 0.068 |
| D   | 0.35        | 0.49  | 0.014     | 0.019 |
| F   | 0.40        | 1.25  | 0.016     | 0.049 |
| G   | 1.27 BSC    |       | 0.050 BSC |       |
| J   | 0.19        | 0.25  | 0.008     | 0.009 |
| K   | 0.10        | 0.25  | 0.004     | 0.009 |
| M   | 0°          | 7°    | 0°        | 7°    |
| P   | 5.80        | 6.20  | 0.229     | 0.244 |
| R   | 0.25        | 0.50  | 0.010     | 0.019 |

### SOLDERING FOOTPRINT\*



\*For additional information on our Pb-Free strategy and soldering details, please download the ON Semiconductor Soldering and Mounting Techniques Reference Manual, SOLDERRM/D.

ON Semiconductor and the are registered trademarks of Semiconductor Components Industries, LLC (SCILLC) or its subsidiaries in the United States and/or other countries. SCILLC owns the rights to a number of patents, trademarks, copyrights, trade secrets, and other intellectual property. A listing of SCILLC's product/patent coverage may be accessed at [www.onsemi.com/site/pdf/Patent-Marking.pdf](http://www.onsemi.com/site/pdf/Patent-Marking.pdf). SCILLC reserves the right to make changes without further notice to any products herein. SCILLC makes no warranty, representation or guarantee regarding the suitability of its products for any particular purpose, nor does SCILLC assume any liability arising out of the application or use of any product or circuit, and specifically disclaims any and all liability, including without limitation special, consequential or incidental damages. "Typical" parameters which may be provided in SCILLC data sheets and/or specifications can and do vary in different applications and actual performance may vary over time. All operating parameters, including "Typicals" must be validated for each customer application by customer's technical experts. SCILLC does not convey any license under its patent rights nor the rights of others. SCILLC products are not designed, intended, or authorized for use as components in systems intended for surgical implant into the body, or other applications intended to support or sustain life, or for any other application in which the failure of the SCILLC product could create a situation where personal injury or death may occur. Should Buyer purchase or use SCILLC products for any such unintended or unauthorized application, Buyer shall indemnify and hold SCILLC and its officers, employees, subsidiaries, affiliates, and distributors harmless against all claims, costs, damages, and expenses, and reasonable attorney fees arising out of, directly or indirectly, any claim of personal injury or death associated with such unintended or unauthorized use, even if such claim alleges that SCILLC was negligent regarding the design or manufacture of the part. SCILLC is an Equal Opportunity/Affirmative Action Employer. This literature is subject to all applicable copyright laws and is not for resale in any manner.

### PUBLICATION ORDERING INFORMATION

#### LITERATURE FULFILLMENT:

Literature Distribution Center for ON Semiconductor  
P.O. Box 5163, Denver, Colorado 80217 USA  
Phone: 303-675-2175 or 800-344-3860 Toll Free USA/Canada  
Fax: 303-675-2176 or 800-344-3867 Toll Free USA/Canada  
Email: [orderlit@onsemi.com](mailto:orderlit@onsemi.com)

N. American Technical Support: 800-282-9855 Toll Free  
USA/Canada  
Europe, Middle East and Africa Technical Support:  
Phone: 421 33 790 2910  
Japan Customer Focus Center  
Phone: 81-3-5817-1050

ON Semiconductor Website: [www.onsemi.com](http://www.onsemi.com)

Order Literature: <http://www.onsemi.com/orderlit>

For additional information, please contact your local Sales Representative

# Mouser Electronics

Authorized Distributor

Click to View Pricing, Inventory, Delivery & Lifecycle Information:

[onsemi:](#)

[MC1402BCP](#) [MC1402BCPG](#) [MC1402BD](#) [MC1402BDG](#) [MC1402BDR2](#) [MC1402BDR2G](#) [MC1402BFEL](#)  
[NLV1402BDR2G](#)