

# Specifications

All specifications are typical at nominal input, full load at 25°C unless otherwise stated.

OUTPUT SPECIFICATIONS		
Voltage adjustability		60% to 110%
Set point accuracy		±1.0%
Line regulation	Low line to high line	±0.05%
Load regulation	Full load to min. load	±0.10%
Minimum load		0%
Overshoot	At turn-on and turn-off	None
Undershoot		None
Ripple and noise (5 Hz to 20 MHz) (See Note 1)	3.3 V and 5 V 12 V	75 mV pk-pk, 20 mV rms 100 mV pk-pk, 30 mV rms
Temperature coefficient		±0.01%/°C
Transient response (See Note 2)		±2.0% max. deviation 170 μs recovery to within ±1.0%
Remote sense		0.5 Vdc transmission line drop compensation

INPUT SPECIFICATIONS		
Input voltage range	48 Vin nominal	36-75 Vdc
Input current	No load Remote OFF	100 mA max. 20 mA max.
Input current (max.) (See Note 4)		3.5 A max. @ Io max. and Vin = 0-75 V
Input reflected ripple	(See Note 6)	5 mA pk-pk
Active low remote ON/OFF Logic compatibility ON OFF	(See Note 7)	Open collector ref to -input 1.2 Vdc max. Open circuit

INPUT SPECIFICATIONS (continued)		
Undervoltage lockout	48 Vin: power up 48 Vin: power down	34 V 32.5 V
Start-up time (See Note 8)	Power up Remote ON/OFF	20 ms 20 ms

EMC CHARACTERISTICS		
Conducted emissions (See Note 3)	Bellcore 1089 FCC part 15 EN55022, CISPR22	Level A Level A Level A

GENERAL SPECIFICATIONS		
Efficiency		See table
Isolation voltage	Input/case Input/output Output/case	1500 Vdc 1500 Vdc 1500 Vdc
Switching frequency	Fixed	500 kHz typ.
Approvals and standards (See Note 5)		VDE0805, EN60950, IEC950 UL1950, CSA C22.2 No. 950
Case material		Aluminum baseplate with plastic case
Material flammability		UL94V-0
Weight		110 g (3.88 oz)
MTBF	Bellcore 332 MIL-HDBK-217F @ 40 °C, 100% full load	1,400,000 hours min. 580,000 hours min.

ENVIRONMENTAL SPECIFICATIONS		
Thermal performance	Operating case temp. Non-operating	-40 °C to +100 °C -55 °C to +125 °C
Altitude	Operating Non-operating	10,000 feet max. 40,000 feet max.
Vibration	5-500 Hz	2.4 G rms (approx.)

## Specifications Contd.

OUTPUT POWER (MAX.)	INPUT VOLTAGE	OVP	OUTPUT VOLTAGE	OUTPUT CURRENT (MIN.)	OUTPUT CURRENT (MAX.)	EFFICIENCY (TYP.)	REGULATION		MODEL NUMBER (7, 9, 10)
							LINE	LOAD	
50 W	36-75 Vdc	4.3 Vdc	3.3 V	0 A	15 A	79%	±0.05%	±0.1%	BXB75-48S3V3FLTJ
75 W	36-75 Vdc	6.5 Vdc	5 V	0 A	15 A	83%	±0.05%	±0.1%	BXB75-48S05FLTJ
75 W	36-75 Vdc	14.5 Vdc	12 V	0 A	6.25 A	84%	±0.05%	±0.1%	BXB75-48S12FLTJ

### Notes

- 1 Measured with 10  $\mu$ F tantalum capacitor and 1  $\mu$ F ceramic capacitor across output.
- 2  $di/dt = 0.1 \text{ A}/1 \mu\text{s}$ ,  $V_{in} = 48 \text{ Vdc}$ ,  $T_c = 25 \text{ }^\circ\text{C}$ , load change = 0.5  $I_o$  max. to 0.75  $I_o$  max. and 0.75  $I_o$  max. to 0.5  $I_o$  max.
- 3 Units should be characterised within systems. External components required.
- 4 Input fusing is recommended based on surge current and maximum input current.
- 5 This product is only for inclusion by professional installers within other equipment and must not be operated as a stand alone product.
- 6 Simulated source impedance of 12  $\mu$ H. 12  $\mu$ H inductor in series with +Vin.
- 7 Active high remote on/off option is available (standard product is active low), designate with the suffix 'FHT' e.g. **BXB75-48S05FHTJ**. Consult factory for further details and options.
- 8 Start-up into resistive load.
- 9 The 'J' suffix indicates that these parts are Pb-free (RoHS 6/6) compliant. TSE RoHS 5/6 (non Pb-free) compliant versions may be available on special request, please contact your local sales representative for details.
- 10 NOTICE: Some models do not support all options. Please contact your local Artesyn representative or use the on-line model number search tool at <http://www.artesyn.com/powergroup/products.htm> to find a suitable alternative.

### PROTECTION

Short circuit	Continuous, automatic recovery
Overvoltage	Non-latching
Undervoltage	Non-latching
Thermal	110 $^\circ\text{C}$ baseplate, automatic recovery

### TELECOM SPECIFICATION

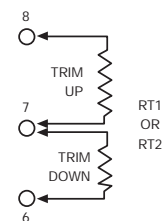
Central office interface A	ETS300-132-2
----------------------------	--------------

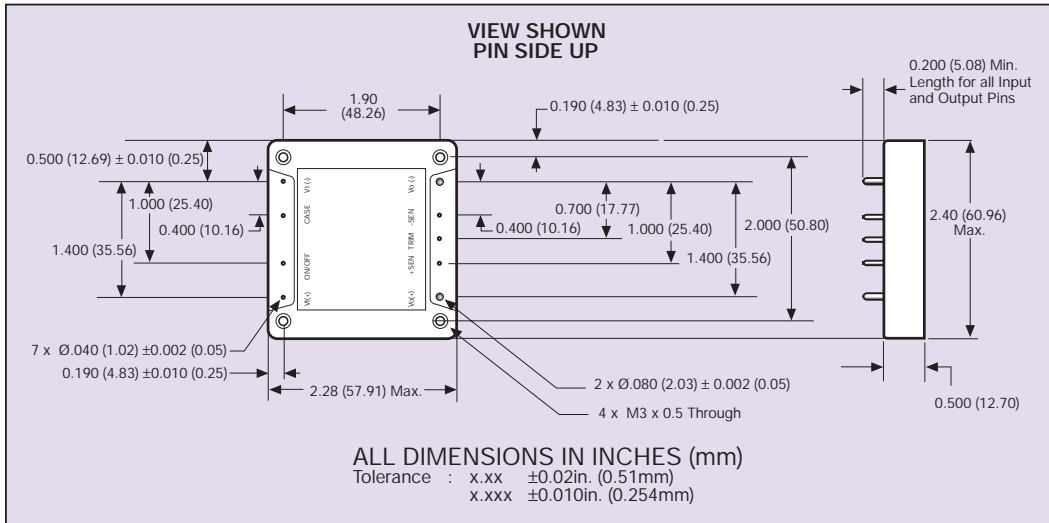
### PIN CONNECTIONS

PIN NUMBER	FUNCTION
1	+ Vin
2	Remote ON/OFF
3	Case
4	- Vin
5	- Vout
6	- Sense
7	Trim
8	+ Sense
9	+ Vout

### EXTERNAL OUTPUT TRIMMING

Output can be externally trimmed by using the method shown.





### Americas

5810 Van Allen Way  
Carlsbad, CA 92008  
USA  
Telephone: +1 760 930 4600  
Facsimile: +1 760 930 0698

### Europe (UK)

Waterfront Business Park  
Merry Hill, Dudley  
West Midlands, DY5 1LX  
United Kingdom  
Telephone: +44 (0) 1384 842 211  
Facsimile: +44 (0) 1384 843 355

### Asia (HK)

16th - 17th Floors, Lu Plaza  
2 Wing Yip Street, Kwun Tong  
Kowloon, Hong Kong  
Telephone: +852 2176 3333  
Facsimile: +852 2176 3888

For global contact, visit:

[www.powerconversion.com](http://www.powerconversion.com)

[technicalsupport@powerconversion.com](mailto:technicalsupport@powerconversion.com)

While every precaution has been taken to ensure accuracy and completeness in this literature, Emerson Network Power assumes no responsibility, and disclaims all liability for damages resulting from use of this information or for any errors or omissions.

### Emerson Network Power.

The global leader in enabling  
business-critical continuity.

- AC Power
- Connectivity
- DC Power
- **Embedded Power**
- Inbound Power
- Integrated Cabinet Solutions
- Outside Plant
- Precision Cooling
- Site Monitoring and Services

**EmersonNetworkPower.com**

Emerson Network Power and the Emerson Network Power logo are trademarks and service marks of Emerson Electric Co.  
©2007 Emerson Electric Co.

# Mouser Electronics

Authorized Distributor

Click to View Pricing, Inventory, Delivery & Lifecycle Information:

[Artesyn Embedded Technologies:](#)

[BXB75-48D05-3V3FHJ](#) [BXB75-48S12FHTJ](#) [BXB75-48S3V3FHTJ](#) [BXB75-48S05FLTJ](#) [BXB75-48S12FLTJ](#)