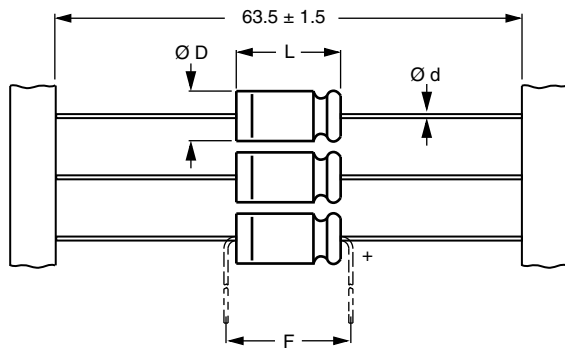


| SELECTION CHART FOR C_R, U_R, AND RELEVANT NOMINAL CASE SIZES ($\varnothing D \times L$ in mm) | | | | | | | |
|--|-----------|-----------|-----------|-----------|-----------|-----------|-----------|
| C_R (μF) | U_R (V) | | | | | | |
| | 6.3 | 10 | 16 | 25 | 40 | 63 | 100 |
| 68 | - | - | 4.5 x 10 | - | - | 8 x 11 | 10 x 18 |
| | - | - | - | - | - | 6.5 x 18 | - |
| 100 | - | 4.5 x 10 | - | 6 x 10 | 8 x 11 | 8 x 18 | 10 x 25 |
| | - | - | - | - | 6.5 x 18 | - | 10 x 30 |
| 150 | - | - | 6 x 10 | 8 x 11 | 8 x 18 | 10 x 18 | 12.5 x 30 |
| | - | - | - | 6.5 x 18 | - | - | - |
| 220 | - | 6 x 10 | 8 x 11 | 6.5 x 18 | 10 x 18 | 10 x 25 | 12.5 x 30 |
| | - | - | - | - | - | 10 x 30 | - |
| 330 | - | 8 x 11 | 6.5 x 18 | 8 x 18 | 10 x 25 | 12.5 x 30 | 15 x 30 |
| | 8 x 11 | 6.5 x 18 | 8 x 18 | 10 x 18 | 10 x 25 | 12.5 x 30 | 18 x 30 |
| 470 | - | - | - | - | 10 x 30 | - | - |
| | - | 8 x 18 | 10 x 18 | 10 x 25 | 12.5 x 30 | 15 x 30 | 18 x 38 |
| 680 | - | - | - | 10 x 30 | - | - | - |
| | 8 x 18 | 10 x 18 | 10 x 25 | 12.5 x 30 | 12.5 x 30 | 18 x 30 | 21 x 38 |
| 1000 | - | - | 10 x 30 | - | - | - | - |
| | - | 10 x 25 | 12.5 x 30 | 12.5 x 30 | 15 x 30 | 18 x 38 | - |
| 1500 | - | 10 x 30 | - | - | - | - | - |
| | 10 x 25 | 12.5 x 30 | 12.5 x 30 | 15 x 30 | 18 x 30 | 21 x 38 | - |
| 3300 | - | 12.5 x 30 | 15 x 30 | 18 x 30 | 18 x 38 | - | - |
| | - | 15 x 30 | 18 x 30 | 18 x 38 | 21 x 38 | - | - |
| 4700 | - | 18 x 30 | 18 x 38 | 21 x 38 | - | - | - |
| | - | 18 x 30 | 18 x 38 | 21 x 38 | - | - | - |
| 6800 | - | 18 x 38 | 21 x 38 | - | - | - | - |
| | - | 18 x 38 | 21 x 38 | - | - | - | - |
| 10 000 | - | 21 x 38 | - | - | - | - | - |
| | - | 21 x 38 | - | - | - | - | - |

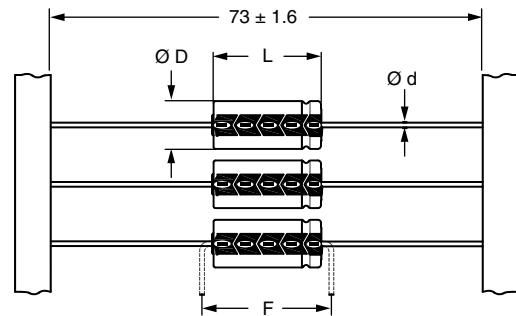
DIMENSIONS in millimeters AND AVAILABLE FORMS


Form BR: Taped on reel

Form BA: Taped in box (ammopack)

Case $\varnothing D \times L = 4.5 \text{ mm} \times 10 \text{ mm}$ to $8 \text{ mm} \times 11 \text{ mm}$

Fig. 2 - Forms BA and BR



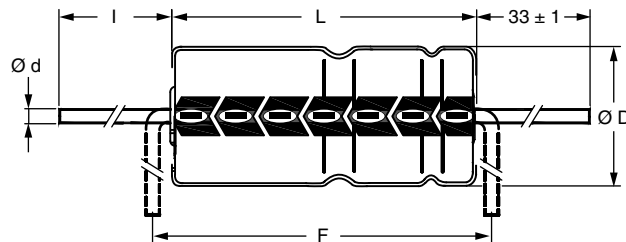
Form BR: Taped on reel

Case $\varnothing D \times L = 6.5 \text{ mm} \times 18 \text{ mm}$ to $15 \text{ mm} \times 30 \text{ mm}$

Form BA: Taped in box (ammopack)

Case $\varnothing D \times L = 6.5 \text{ mm} \times 18 \text{ mm}$ to $10 \text{ mm} \times 25 \text{ mm}$

Fig. 3 - Forms BA and BR



Form AA: Axial in box

Case $\varnothing D \times L = 10 \text{ mm} \times 30 \text{ mm}$ to $21 \text{ mm} \times 38 \text{ mm}$

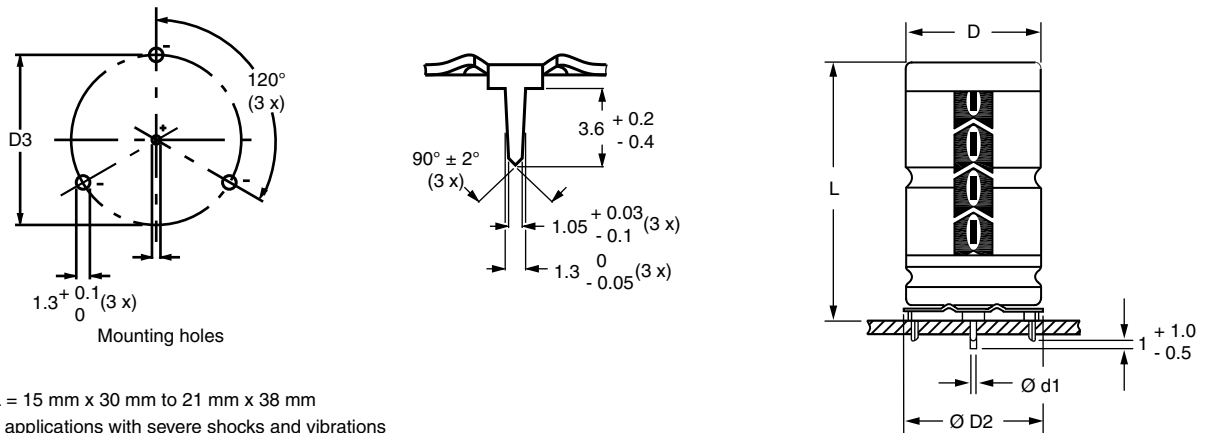
Fig. 4 - Form AA

Table 1

| AXIAL; DIMENSIONS in millimeters, MASS AND PACKAGING QUANTITIES | | | | | | | | | | |
|---|-----------|----------------------------|--------|---------------------|-------------------|-------------------|----------|----------------------|---------|---------|
| NOMINAL CASE SIZE Ø D x L | CASE CODE | AXIAL: FORM AA, BA, AND BR | | | | | MASS (g) | PACKAGING QUANTITIES | | |
| | | Ø d | l | Ø D _{max.} | L _{max.} | F _{min.} | | FORM AA | FORM BA | FORM BR |
| 4.5 x 10 | 2 | 0.6 | - | 5.0 | 10.5 | 15 | ≈ 0.5 | - | 1000 | 3000 |
| 6 x 10 | 3 | 0.6 | - | 6.3 | 10.5 | 15 | ≈ 0.7 | - | 1000 | 1000 |
| 8 x 11 | 5a | 0.6 | - | 8.5 | 11.5 | 15 | ≈ 1.1 | - | 500 | 500 |
| 6.5 x 18 | 4 | 0.8 | - | 6.9 | 18.5 | 25 | ≈ 1.3 | - | 1000 | 1000 |
| 8 x 18 | 5 | 0.8 | - | 8.5 | 18.5 | 25 | ≈ 1.7 | - | 500 | 500 |
| 10 x 18 | 6 | 0.8 | - | 10.5 | 18.5 | 25 | ≈ 2.5 | - | 500 | 500 |
| 10 x 25 | 7 | 0.8 | - | 10.5 | 25.5 | 30 | ≈ 3.3 | - | 500 | 500 |
| 10 x 30 | 00 | 0.8 | 55 ± 1 | 10.5 | 30.5 | 35 | ≈ 4.8 | 340 | - | 500 |
| 12.5 x 30 | 01 | 0.8 | 55 ± 1 | 13.0 | 30.5 | 35 | ≈ 7.4 | 260 | - | 400 |
| 15 x 30 | 02 | 0.8 | 55 ± 1 | 15.5 | 30.5 | 35 | ≈ 11.7 | 200 | - | 250 |
| 18 x 30 | 03 | 0.8 | 55 ± 1 | 18.5 | 30.5 | 35 | ≈ 12.9 | 120 | - | - |
| 18 x 38 | 04 | 0.8 | 34 ± 1 | 18.5 | 39.5 | 44 | ≈ 19.0 | 125 | - | - |
| 21 x 38 | 05 | 0.8 | 34 ± 1 | 21.5 | 39.5 | 44 | ≈ 24.0 | 100 | - | - |

Note

- For detailed tape dimensions, please see www.vishay.com/doc?28361.


Form MR:

Case Ø D x L = 15 mm x 30 mm to 21 mm x 38 mm

Especially for applications with severe shocks and vibrations

 Fig. 5 - Mounting hole diagram and outline. **Form MR:** With mounting ring and pins

Table 2

| MOUNTING RING; DIMENSIONS in millimeters, MASS AND PACKAGING QUANTITIES | | | | | | | | |
|---|-----------|------------------------|-----------|----------------------|------------|-------------------|----------|----------------------|
| NOMINAL CASE SIZE Ø D x L | CASE CODE | MOUNTING RING: FORM MR | | | | | MASS (g) | PACKAGING QUANTITIES |
| | | Ø d1 | Ø d2 | Ø D2 _{max.} | D3 | L _{max.} | | |
| 15 x 30 | 02 | 0.8 | 1.0 + 0.4 | 17.5 | 16.5 ± 0.2 | 33 | ≈ 11.7 | 200 |
| 18 x 30 | 03 | 0.8 | 1.0 + 0.4 | 19.5 | 18.5 ± 0.2 | 33 | ≈ 12.9 | 240 |
| 18 x 38 | 04 | 0.8 | 1.0 + 0.4 | 19.5 | 18.5 ± 0.2 | 42 | ≈ 19.0 | 100 |
| 21 x 38 | 05 | 0.8 | 1.0 + 0.4 | 22.5 | 21.5 ± 0.2 | 42 | ≈ 24.0 | 100 |



| ELECTRICAL DATA | |
|-----------------|---|
| SYMBOL | DESCRIPTION |
| C_R | Rated capacitance at 100 Hz, tolerance $\pm 20\%$ |
| I_R | Rated RMS ripple current at 100 Hz, 85 °C |
| I_{L5} | Max. leakage current after 5 min at U_R |
| $\tan \delta$ | Max. dissipation factor at 100 Hz |
| ESR | Equivalent series resistance at 100 Hz (calculated from $\tan \delta_{max}$ and C_R) |
| Z | Max. impedance at 10 kHz |

Note

- Unless otherwise specified, all electrical values in Table 3 apply at $T_{amb} = 20\text{ °C}$, $P = 86\text{ kPa}$ to 106 kPa , $RH = 45\%$ to 75% .

ORDERING EXAMPLE

Electrolytic capacitor 021 series

1000 μF / 16 V; $\pm 20\%$

Nominal case size: $\varnothing 10\text{ mm} \times 25\text{ mm}$; Form BA

Ordering code: MAL202190518E3

Former 12 NC: 2222 021 90518

Table 3

| ELECTRICAL DATA AND ORDERING INFORMATION | | | | | | | | | | | | | | | |
|--|--------------------------------------|--|----------------------------------|--|-------------------------|-------------------------------|-----------------------------|------------------|----------------------------|--------------------------------|-------------------------------|--------------------------------|---------|---------|---------|
| U_R (V) | C_R 100 Hz (μF) | NOMINAL CASE SIZE $\varnothing D \times L$ (mm) | I_R 100 Hz 85 °C (mA) | I_{L5} 5 min (μA) | $\tan \delta$ 100 Hz | ESR 100 Hz (Ω) | Z 10 kHz (Ω) | LIFE CODE (1) | ORDERING CODE MAL2021..... | | | | | | |
| | | | | | | | | | IN BOX FORM AA | TAPED ON REEL FORM BR | TAPED IN BOX FORM BA | MOUNTING RING FORM MR | | | |
| 6.3 | 470 | 8 x 11 | 260 | 10 | 0.25 | 0.850 | 0.640 | L1 | - | 23471E3 | 33471E3 | - | | | |
| | 1000 | 8 x 18 | 440 | 17 | 0.25 | 0.400 | 0.500 | L1 | - | 23102E3 | 33102E3 | - | | | |
| | 2200 | 10 x 25 | 710 | 32 | 0.29 | 0.210 | 0.160 | L1 | - | 90588E3 | 90589E3 | - | | | |
| 10 | 100 | 4.5 x 10 | 100 | 6 | 0.20 | 3.200 | 2.000 | L1 | - | 24101E3 | 34101E3 | - | | | |
| | 220 | 6 x 10 | 160 | 8.4 | 0.20 | 1.500 | 0.910 | L1 | - | 24221E3 | 34221E3 | - | | | |
| | 330 | 8 x 11 | 230 | 11 | 0.20 | 1.000 | 0.610 | L1 | - | 24331E3 | 34331E3 | - | | | |
| | 470 | 6.5 x 18 | 310 | 13 | 0.20 | 0.680 | 0.430 | L1 | - | 24471E3 | 34471E3 | - | | | |
| | 680 | 8 x 18 | 400 | 18 | 0.20 | 0.470 | 0.290 | L1 | - | 24681E3 | 34681E3 | - | | | |
| | 1000 | 10 x 18 | 550 | 24 | 0.20 | 0.320 | 0.200 | L1 | - | 24102E3 | 34102E3 | - | | | |
| | 1500 | 10 x 25 | 690 | 34 | 0.23 | 0.250 | 0.180 | L1 | - | 90524E3 | 90525E3 | - | | | |
| | 1500 | 10 x 30 | 740 | 34 | 0.23 | 0.245 | 0.180 | L3 | 14152E3 | 24152E3 | - | | | | |
| | 2200 | 12.5 x 30 | 980 | 48 | 0.25 | 0.177 | 0.095 | L3 | 14222E3 | 24222E3 | - | | | | |
| | 3300 | 12.5 x 30 | 1090 | 70 | 0.27 | 0.128 | 0.095 | L3 | 14332E3 | 24332E3 | - | | | | |
| | 4700 | 15 x 30 | 1320 | 98 | 0.29 | 0.100 | 0.070 | L3 | 14472E3 | 24472E3 | - | | | | |
| | 6800 | 18 x 30 | 1590 | 140 | 0.34 | 0.079 | 0.065 | L3 | 14682E3 | - | - | 44472E3 | | | |
| 10 000 | 18 x 38 | 2090 | 204 | 0.40 | 0.064 | 0.040 | L3 | 14103E3 | - | - | - | 44103E3 | | | |
| 15 000 | 21 x 38 | 2250 | 304 | 0.50 | 0.054 | 0.035 | L3 | 14153E3 | - | - | - | - | 44153E3 | | |
| 16 | 68 | 4.5 x 10 | 90 | 6.2 | 0.16 | 3.800 | 2.400 | L1 | - | 25689E3 | 35689E3 | - | | | |
| | 150 | 6 x 10 | 140 | 8.8 | 0.16 | 1.700 | 1.100 | L1 | - | 25151E3 | 35151E3 | - | | | |
| | 220 | 8 x 11 | 210 | 11 | 0.16 | 1.200 | 0.730 | L1 | - | 25221E3 | 35221E3 | - | | | |
| | 330 | 6.5 x 18 | 290 | 15 | 0.16 | 0.770 | 0.480 | L1 | - | 25331E3 | 35331E3 | - | | | |
| | 470 | 8 x 18 | 380 | 19 | 0.16 | 0.550 | 0.340 | L1 | - | 25471E3 | 35471E3 | - | | | |
| | 680 | 10 x 18 | 500 | 26 | 0.16 | 0.380 | 0.240 | L1 | - | 25681E3 | 35681E3 | - | | | |
| | 1000 | 10 x 25 | 660 | 36 | 0.16 | 0.260 | 0.180 | L1 | - | 90517E3 | 90518E3 | - | | | |
| | 1000 | 10 x 30 | 700 | 36 | 0.16 | 0.260 | 0.175 | L3 | 15102E3 | 25102E3 | - | - | | | |
| | 1500 | 12.5 x 30 | 950 | 52 | 0.19 | 0.205 | 0.095 | L3 | 15152E3 | 25152E3 | - | - | | | |
| | 2200 | 12.5 x 30 | 1040 | 74 | 0.21 | 0.150 | 0.095 | L3 | 15222E3 | 25222E3 | - | - | | | |
| | 3300 | 15 x 30 | 1290 | 110 | 0.23 | 0.111 | 0.070 | L3 | 15332E3 | 25332E3 | - | - | | | |
| | 4700 | 18 x 30 | 1560 | 154 | 0.25 | 0.087 | 0.065 | L3 | 15472E3 | - | - | - | 45332E3 | | |
| 6800 | 18 x 38 | 2040 | 222 | 0.30 | 0.070 | 0.040 | L3 | 15682E3 | - | - | - | - | 45682E3 | | |
| 10 000 | 21 x 38 | 2170 | 324 | 0.36 | 0.058 | 0.035 | L3 | 15103E3 | - | - | - | - | 45103E3 | | |
| 25 | 47 | 4.5 x 10 | 80 | 6.4 | 0.14 | 4.800 | 2.600 | L1 | - | 26479E3 | 36479E3 | - | | | |
| | 100 | 6 x 10 | 150 | 9 | 0.14 | 2.300 | 1.200 | L1 | - | 26101E3 | 36101E3 | - | | | |
| | 150 | 8 x 11 | 190 | 12 | 0.14 | 1.500 | 0.800 | L1 | - | 90534E3 | 90535E3 | - | | | |
| | 150 | 6.5 x 18 | 210 | 12 | 0.14 | 1.500 | 0.800 | L1 | - | 26151E3 | 36151E3 | - | | | |
| | 220 | 6.5 x 18 | 250 | 15 | 0.14 | 1.000 | 0.550 | L1 | - | 26221E3 | 36221E3 | - | | | |
| | 330 | 8 x 18 | 340 | 21 | 0.14 | 0.680 | 0.360 | L1 | - | 26331E3 | 36331E3 | - | | | |
| | 470 | 10 x 18 | 450 | 28 | 0.14 | 0.480 | 0.260 | L1 | - | 26471E3 | 36471E3 | - | | | |
| | 680 | 10 x 25 | 560 | 38 | 0.14 | 0.330 | 0.180 | L1 | - | 90527E3 | 90528E3 | - | | | |
| | 680 | 10 x 30 | 640 | 38 | 0.14 | 0.323 | 0.175 | L3 | 16681E3 | 26681E3 | - | - | | | |
| | 1000 | 12.5 x 30 | 840 | 54 | 0.14 | 0.220 | 0.095 | L3 | 16102E3 | 26102E3 | - | - | | | |
| | 1500 | 12.5 x 30 | 950 | 79 | 0.17 | 0.179 | 0.095 | L3 | 16152E3 | 26152E3 | - | - | | | |
| | 2200 | 15 x 30 | 1180 | 114 | 0.19 | 0.132 | 0.070 | L3 | 16222E3 | 26222E3 | - | - | | | |
| | 3300 | 18 x 30 | 1470 | 169 | 0.21 | 0.099 | 0.065 | L3 | 16332E3 | - | - | - | 46222E3 | | |
| | 4700 | 18 x 38 | 1920 | 239 | 0.23 | 0.079 | 0.040 | L3 | 16472E3 | - | - | - | - | 46332E3 | |
| 6800 | 21 x 38 | 2070 | 344 | 0.28 | 0.064 | 0.035 | L3 | 16682E3 | - | - | - | - | - | 46472E3 | |
| | | | | | | | | | | | | | | - | 46682E3 |



| ELECTRICAL DATA AND ORDERING INFORMATION | | | | | | | | | | | | |
|--|----------------------------|--------------------------------|----------------------------------|----------------------------|--------------|----------------|--------------|---------------|----------------------------|-----------------------|----------------------|-----------------------|
| U _R (V) | C _R 100 Hz (μF) | NOMINAL CASE SIZE Ø D x L (mm) | I _R 100 Hz 85 °C (mA) | I _{L5} 5 min (μA) | tan δ 100 Hz | ESR 100 Hz (Ω) | Z 10 kHz (Ω) | LIFE CODE (1) | ORDERING CODE MAL2021..... | | | |
| | | | | | | | | | IN BOX FORM AA | TAPED ON REEL FORM BR | TAPED IN BOX FORM BA | MOUNTING RING FORM MR |
| 40 | 22 | 4.5 x 10 | 60 | 5.8 | 0.11 | 8.000 | 3.200 | L2 | - | 27229E3 | 37229E3 | - |
| | 47 | 6 x 10 | 110 | 7.8 | 0.11 | 3.800 | 1.500 | L2 | - | 27479E3 | 37479E3 | - |
| | 100 | 8 x 11 | 170 | 12 | 0.11 | 1.800 | 0.700 | L2 | - | 90537E3 | 90538E3 | - |
| | 100 | 6.5 x 18 | 190 | 12 | 0.11 | 1.800 | 0.700 | L2 | - | 27101E3 | 37101E3 | - |
| | 150 | 8 x 18 | 250 | 16 | 0.11 | 1.100 | 0.470 | L2 | - | 27151E3 | 37151E3 | - |
| | 220 | 10 x 18 | 330 | 22 | 0.11 | 0.800 | 0.320 | L2 | - | 27221E3 | 37221E3 | - |
| | 330 | 10 x 25 | 430 | 30 | 0.11 | 0.530 | 0.210 | L2 | - | 27331E3 | 37331E3 | - |
| | 470 | 10 x 25 | 520 | 42 | 0.11 | 0.370 | 0.180 | L2 | - | 90514E3 | 90515E3 | - |
| | 470 | 10 x 30 | 590 | 42 | 0.12 | 0.404 | 0.175 | L3 | 17471E3 | 27471E3 | - | - |
| | 680 | 12.5 x 30 | 800 | 58 | 0.12 | 0.297 | 0.110 | L3 | 17681E3 | 27681E3 | - | - |
| | 1000 | 12.5 x 30 | 900 | 84 | 0.12 | 0.190 | 0.110 | L3 | 17102E3 | 27102E3 | - | - |
| | 1500 | 15 x 30 | 1120 | 124 | 0.15 | 0.159 | 0.070 | L3 | 17152E3 | 27152E3 | - | 47152E3 |
| | 2200 | 18 x 30 | 1390 | 180 | 0.17 | 0.118 | 0.065 | L3 | 17222E3 | - | - | 47222E3 |
| | 3300 | 18 x 38 | 1810 | 268 | 0.19 | 0.090 | 0.040 | L3 | 17332E3 | - | - | 47332E3 |
| 4700 | 21 x 38 | 1940 | 380 | 0.21 | 0.072 | 0.035 | L3 | 17472E3 | - | - | 47472E3 | |
| 63 | 1.0 | 4.5 x 10 | 12 | 4.1 | 0.09 | 150.0 | 55.00 | L2 | - | 28108E3 | 38108E3 | - |
| | 2.2 | 4.5 x 10 | 21 | 4.3 | 0.09 | 65.00 | 25.00 | L2 | - | 28228E3 | 38228E3 | - |
| | 3.3 | 4.5 x 10 | 25 | 4.4 | 0.09 | 44.00 | 17.00 | L2 | - | 28338E3 | 38338E3 | - |
| | 4.7 | 4.5 x 10 | 31 | 4.6 | 0.09 | 31.00 | 12.00 | L2 | - | 28478E3 | 38478E3 | - |
| | 10 | 4.5 x 10 | 50 | 5.3 | 0.08 | 13.00 | 5.500 | L2 | - | 28109E3 | 38109E3 | - |
| | 15 | 4.5 x 10 | 55 | 5.9 | 0.08 | 8.500 | 3.700 | L2 | - | 28159E3 | 38159E3 | - |
| | 22 | 6 x 10 | 90 | 6.8 | 0.08 | 5.800 | 2.500 | L2 | - | 28229E3 | 38229E3 | - |
| | 33 | 6 x 10 | 100 | 8.2 | 0.08 | 3.900 | 1.700 | L2 | - | 28339E3 | 38339E3 | - |
| | 47 | 8 x 11 | 140 | 10 | 0.08 | 2.700 | 1.200 | L2 | - | 90541E3 | 90542E3 | - |
| | 47 | 6.5 x 18 | 150 | 10 | 0.08 | 2.700 | 1.200 | L2 | - | 28479E3 | 38479E3 | - |
| | 68 | 8 x 11 | 160 | 13 | 0.08 | 1.900 | 0.810 | L2 | - | 90544E3 | 90545E3 | - |
| | 68 | 6.5 x 18 | 170 | 13 | 0.08 | 1.900 | 0.810 | L2 | - | 28689E3 | 38689E3 | - |
| | 100 | 8 x 18 | 250 | 17 | 0.08 | 1.300 | 0.550 | L2 | - | 28101E3 | 38101E3 | - |
| | 150 | 10 x 18 | 320 | 23 | 0.08 | 0.850 | 0.370 | L2 | - | 28151E3 | 38151E3 | - |
| | 220 | 10 x 25 | 430 | 32 | 0.08 | 0.600 | 0.250 | L2 | - | 90511E3 | 90512E3 | - |
| | 220 | 10 x 30 | 480 | 32 | 0.08 | 0.614 | 0.260 | L3 | 18221E3 | 28221E3 | - | - |
| | 330 | 12.5 x 30 | 610 | 46 | 0.08 | 0.409 | 0.190 | L3 | 18331E3 | 28331E3 | - | - |
| | 470 | 12.5 x 30 | 700 | 63 | 0.08 | 0.287 | 0.130 | L3 | 18471E3 | 28471E3 | - | - |
| 680 | 15 x 30 | 890 | 90 | 0.08 | 0.199 | 0.095 | L3 | 18681E3 | 28681E3 | - | 48681E3 | |
| 1000 | 18 x 30 | 1170 | 130 | 0.08 | 0.135 | 0.075 | L3 | 18102E3 | - | - | 48102E3 | |
| 1500 | 18 x 38 | 1530 | 193 | 0.11 | 0.122 | 0.045 | L3 | 18152E3 | - | - | 48152E3 | |
| 2200 | 21 x 38 | 1780 | 281 | 0.13 | 0.099 | 0.040 | L3 | 18222E3 | - | - | 48222E3 | |
| 100 | 1.0 | 4.5 x 10 | 14 | 4.2 | 0.08 | 130.0 | 90.00 | L2 | - | 29108E3 | 39108E3 | - |
| | 2.2 | 4.5 x 10 | 20 | 4.4 | 0.08 | 58.00 | 41.00 | L2 | - | 29228E3 | 39228E3 | - |
| | 4.7 | 4.5 x 10 | 30 | 4.9 | 0.08 | 27.00 | 19.00 | L2 | - | 29478E3 | 39478E3 | - |
| | 10 | 6 x 10 | 65 | 6 | 0.08 | 13.00 | 9.000 | L2 | - | 29109E3 | 39109E3 | - |
| | 15 | 8 x 11 | 77 | 7 | 0.08 | 8.500 | 6.000 | L2 | - | 90547E3 | 90548E3 | - |
| | 15 | 6.5 x 18 | 85 | 7 | 0.08 | 8.500 | 6.000 | L2 | - | 29159E3 | 39159E3 | - |
| | 22 | 8 x 11 | 95 | 8.4 | 0.08 | 5.800 | 4.100 | L2 | - | 90551E3 | 90552E3 | - |
| | 22 | 6.5 x 18 | 100 | 8.4 | 0.08 | 5.800 | 4.100 | L2 | - | 29229E3 | 39229E3 | - |
| | 33 | 6.5 x 18 | 120 | 10.6 | 0.08 | 3.900 | 2.700 | L2 | - | 29339E3 | 39339E3 | - |
| | 47 | 8 x 18 | 160 | 13.4 | 0.08 | 2.700 | 1.900 | L2 | - | 29479E3 | 39479E3 | - |
| | 68 | 10 x 18 | 220 | 17.6 | 0.08 | 1.900 | 1.300 | L2 | - | 29689E3 | 39689E3 | - |
| | 100 | 10 x 25 | 300 | 24 | 0.08 | 1.300 | 0.900 | L2 | - | 90531E3 | 90532E3 | - |
| | 100 | 10 x 30 | 340 | 24 | 0.07 | 1.150 | 1.000 | L3 | 19101E3 | 29101E3 | - | - |
| | 150 | 12.5 x 30 | 490 | 34 | 0.07 | 0.645 | 0.610 | L3 | 19151E3 | 29151E3 | - | - |
| | 220 | 12.5 x 30 | 560 | 48 | 0.08 | 0.610 | 0.560 | L3 | 19221E3 | 29221E3 | - | - |
| | 330 | 15 x 30 | 740 | 70 | 0.09 | 0.420 | 0.400 | L3 | 19331E3 | 29331E3 | - | 49331E3 |
| 470 | 18 x 30 | 980 | 98 | 0.09 | 0.310 | 0.290 | L3 | 19471E3 | - | - | 49471E3 | |
| 680 | 18 x 38 | 1260 | 140 | 0.09 | 0.195 | 0.180 | L3 | 19681E3 | - | - | 49681E3 | |
| 1000 | 21 x 38 | 1470 | 204 | 0.10 | 0.160 | 0.150 | L3 | 19102E3 | - | - | 49102E3 | |

Note

(1) Determines the applicable row in the table "Endurance Test Duration and Useful Life"



| ADDITIONAL ELECTRICAL DATA | | | |
|------------------------------------|------------------------------|--|---------------|
| PARAMETER | CONDITIONS | VALUE | |
| | | AXIAL | MOUNTING RING |
| Voltage | | | |
| Surge voltage | | $U_s \leq 1.15 \times U_R$ | |
| Reverse voltage | | $U_{rev} \leq 1 \text{ V}$ | |
| Current | | | |
| Leakage current | After 1 min at U_R | $I_{L1} \leq 0.006 C_R \times U_R + 4 \mu\text{A}$ | |
| | After 5 min at U_R | $I_{L5} \leq 0.002 C_R \times U_R + 4 \mu\text{A}$ | |
| Inductance | | | |
| Equivalent series inductance (ESL) | Case \varnothing D x L mm: | | |
| | 4.5 x 10 | Typ. 10 nH | - |
| | 6 x 10 | Typ. 22 nH | - |
| | 8 x 11 | Typ. 85 nH | - |
| | 6.5 x 18 | Typ. 25 nH | - |
| | 8 x 18 | Typ. 40 nH | - |
| | 10 x 18 | Typ. 61 nH | - |
| | 10 x 25 | Typ. 38 nH | - |
| | 10 x 30 | Typ. 38 nH | - |
| | 12.5 x 30 | Typ. 46 nH | - |
| | 15 x 30 | Typ. 48 nH | Typ. 39 nH |
| | 18 x 30 | Typ. 50 nH | Typ. 39 nH |
| 18 x 38 | Typ. 54 nH | Typ. 39 nH | |
| 21 x 38 | Typ. 59 nH | Typ. 39 nH | |

RIPPLE CURRENT AND USEFUL LIFE

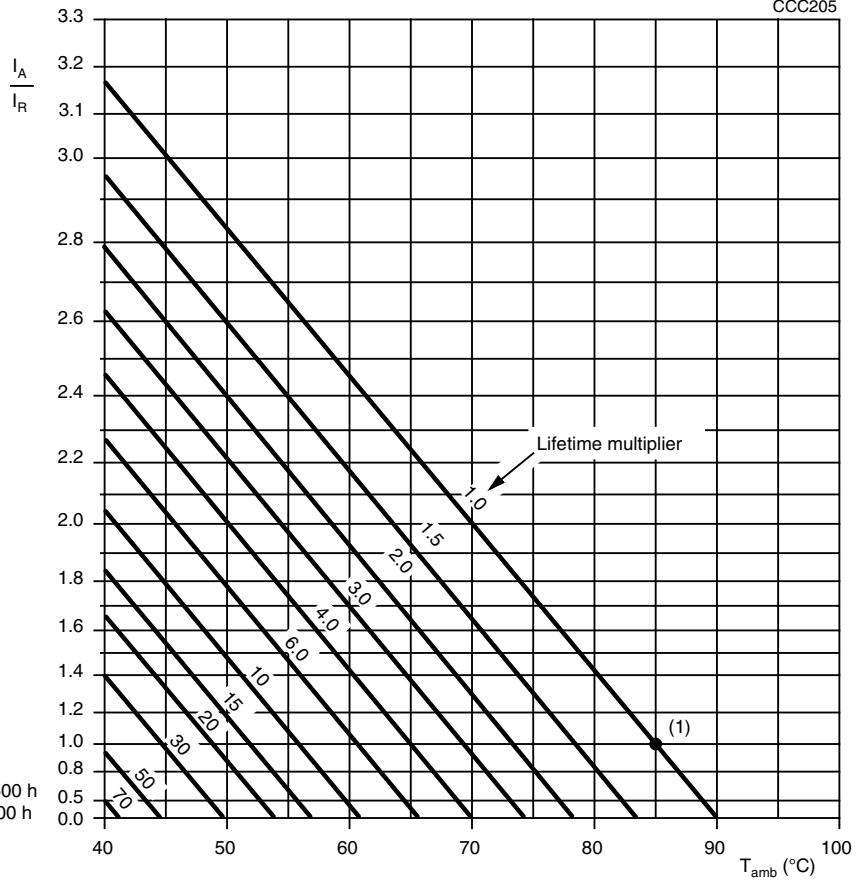
Table 4

| ENDURANCE TEST DURATION AND USEFUL LIFE | | | |
|---|------------------------|-------------------------|--------------------------|
| LIFE CODE | ENDURANCE AT 85 °C (h) | ENDURANCE AT 105 °C (h) | USEFUL LIFE AT 85 °C (h) |
| L1 | 1000 | - | 2500 |
| L2 | 2000 | - | 2500 |
| L3 | 5000 | 2000 | 8000 |

Note

- Multiplier of useful life code: CCC205

CCC205



I_A = Actual ripple current at 100 Hz
 I_R = Rated ripple current at 100 Hz, 85 °C

(1) Useful life at 85 °C and I_R applied:
 Case \varnothing D x L = 4.5 mm x 10 mm to 10 mm x 25 mm: 2500 h
 Case \varnothing D x L = 10 mm x 30 mm to 21 mm x 38 mm: 8000 h

Fig. 6 - Multiplier of useful life as a function of ambient temperature and ripple current load

Table 5

| MULTIPLIER OF RIPPLE CURRENT (I_R) AS A FUNCTION OF FREQUENCY | | | | | | |
|---|------------------|------|------|------|------|----------------|
| U_R | FREQUENCY (Hz) | | | | | |
| | 50 | 100 | 300 | 1000 | 3000 | $\geq 10\ 000$ |
| | I_R MULTIPLIER | | | | | |
| 6.3 | 0.95 | 1.00 | 1.07 | 1.12 | 1.15 | 1.20 |
| 10 | 0.95 | 1.00 | 1.07 | 1.12 | 1.15 | 1.20 |
| 16 | 0.95 | 1.00 | 1.07 | 1.12 | 1.15 | 1.20 |
| 25 | 0.90 | 1.00 | 1.12 | 1.20 | 1.25 | 1.30 |
| 40 | 0.90 | 1.00 | 1.12 | 1.20 | 1.25 | 1.30 |
| 63 | 0.85 | 1.00 | 1.20 | 1.30 | 1.35 | 1.40 |
| 100 | 0.85 | 1.00 | 1.20 | 1.30 | 1.35 | 1.40 |

Table 6

| TEST PROCEDURES AND REQUIREMENTS | | | |
|---|---------------------------------------|---|--|
| TEST | | PROCEDURE (quick reference) | REQUIREMENTS |
| NAME OF TEST | REFERENCE | | |
| Endurance | IEC 60384-4 / EN130300 subclause 4.13 | $T_{amb} = 85\text{ }^{\circ}\text{C}$; U_R applied; case $\varnothing D \times L = 4.5\text{ mm} \times 10\text{ mm}$ to 10 mm x 25 mm: $U_R = 6.3\text{ V}$ to 25 V: 1000 h; $U_R = 40\text{ V}$ to 100 V: 2000 h; case $\varnothing D \times L = 10\text{ mm} \times 30\text{ mm}$ to 21 mm x 38 mm: $U_R = 6.3\text{ V}$ to 100 V: 5000 h | $U_R \leq 6.3\text{ V}$; $\Delta C/C$: +15 % / -30 % $U_R > 6.3\text{ V}$; $\Delta C/C$: $\pm 15\%$ % $\tan \delta \leq 1.3 \times \text{spec. limit}$ $Z \leq 2 \times \text{spec. limit}$ $I_{L5} \leq \text{spec. limit}$ |
| | | $T_{amb} = 105\text{ }^{\circ}\text{C}$; U_R applied; case $\varnothing D \times L = 10\text{ mm} \times 30\text{ mm}$ to 21 mm x 38 mm: 2000 h | $\Delta C/C$: $\leq \pm 20\%$ % $\tan \delta \leq 1.6 \times \text{spec. limit}$ $Z \leq 2 \times \text{spec. limit}$ $I_{L5} \leq \text{spec. limit}$ |
| Useful life | CECC 30301 subclause 1.8.1 | $T_{amb} = 85\text{ }^{\circ}\text{C}$; U_R and I_R applied; case $\varnothing D \times L = 4.5\text{ mm} \times 10\text{ mm}$ to 10 mm x 25 mm: 2500 h; case $\varnothing D \times L = 10\text{ mm} \times 30\text{ mm}$ to 21 mm x 38 mm: 8000 h | $U_R \leq 6.3\text{ V}$; $\Delta C/C$: +45 % / -50 % $U_R > 6.3\text{ V}$; $\Delta C/C$: $\pm 45\%$ % $\tan \delta \leq 3 \times \text{spec. limit}$ $Z \leq 3 \times \text{spec. limit}$ $I_{L5} \leq \text{spec. limit}$ no short or open circuit total failure percentage: $\leq 1\%$ |
| Shelf life (storage at high temperature) | IEC 60384-4 / EN130300 subclause 4.17 | $T_{amb} = 85\text{ }^{\circ}\text{C}$; no voltage applied; 500 h After test: U_R to be applied for 30 min, 24 h to 48 h before measurement | $\Delta C/C$, $\tan \delta$, Z : for requirements see "Endurance test" above $I_{L5} \leq 2 \times \text{spec. limit}$ |

Statements about product lifetime are based on calculations and internal testing. They should only be interpreted as estimations. Also due to external factors, the lifetime in the field application may deviate from the calculated lifetime. In general, nothing stated herein shall be construed as a guarantee of durability.



Disclaimer

ALL PRODUCT, PRODUCT SPECIFICATIONS AND DATA ARE SUBJECT TO CHANGE WITHOUT NOTICE TO IMPROVE RELIABILITY, FUNCTION OR DESIGN OR OTHERWISE.

Vishay Intertechnology, Inc., its affiliates, agents, and employees, and all persons acting on its or their behalf (collectively, "Vishay"), disclaim any and all liability for any errors, inaccuracies or incompleteness contained in any datasheet or in any other disclosure relating to any product.

Vishay makes no warranty, representation or guarantee regarding the suitability of the products for any particular purpose or the continuing production of any product. To the maximum extent permitted by applicable law, Vishay disclaims (i) any and all liability arising out of the application or use of any product, (ii) any and all liability, including without limitation special, consequential or incidental damages, and (iii) any and all implied warranties, including warranties of fitness for particular purpose, non-infringement and merchantability.

Statements regarding the suitability of products for certain types of applications are based on Vishay's knowledge of typical requirements that are often placed on Vishay products in generic applications. Such statements are not binding statements about the suitability of products for a particular application. It is the customer's responsibility to validate that a particular product with the properties described in the product specification is suitable for use in a particular application. Parameters provided in datasheets and / or specifications may vary in different applications and performance may vary over time. All operating parameters, including typical parameters, must be validated for each customer application by the customer's technical experts. Product specifications do not expand or otherwise modify Vishay's terms and conditions of purchase, including but not limited to the warranty expressed therein.

Except as expressly indicated in writing, Vishay products are not designed for use in medical, life-saving, or life-sustaining applications or for any other application in which the failure of the Vishay product could result in personal injury or death. Customers using or selling Vishay products not expressly indicated for use in such applications do so at their own risk. Please contact authorized Vishay personnel to obtain written terms and conditions regarding products designed for such applications.

No license, express or implied, by estoppel or otherwise, to any intellectual property rights is granted by this document or by any conduct of Vishay. Product names and markings noted herein may be trademarks of their respective owners.

Mouser Electronics

Authorized Distributor

Click to View Pricing, Inventory, Delivery & Lifecycle Information:

Vishay:

[MAL202117681E3](#) [MAL202116681E3](#) [MAL202118331E3](#) [MAL202119681E3](#) [MAL202129221E3](#) [MAL202114103E3](#)
[MAL202115682E3](#) [MAL202138109E3](#) [MAL202124222E3](#) [MAL202114222E3](#) [MAL202137221E3](#) [MAL202136101E3](#)
[MAL202117471E3](#) [MAL202133102E3](#) [MAL202129479E3](#) [MAL202190515E3](#) [MAL202114332E3](#) [MAL202115222E3](#)
[MAL202138228E3](#) [MAL202125102E3](#) [MAL202117222E3](#) [MAL202136471E3](#) [MAL202123102E3](#) [MAL202126471E3](#)
[MAL202139339E3](#) [MAL202136331E3](#) [MAL202136151E3](#) [MAL202123471E3](#) [MAL202136221E3](#) [MAL202136479E3](#)
[MAL202135689E3](#) [MAL202135681E3](#) [MAL202135221E3](#) [MAL202134471E3](#) [MAL202128339E3](#) [MAL202128331E3](#)
[MAL202128338E3](#) [MAL202116102E3](#) [MAL202116152E3](#) [MAL202127152E3](#) [MAL202127151E3](#) [MAL202117332E3](#)
[MAL202127101E3](#) [MAL202126331E3](#) [MAL202126101E3](#) [MAL202126102E3](#) [MAL202126151E3](#) [MAL202126152E3](#)
[MAL202116332E3](#) [MAL202117152E3](#) [MAL202117102E3](#) [MAL202127331E3](#) [MAL202128109E3](#) [MAL202128101E3](#)
[MAL202128108E3](#) [MAL202128159E3](#) [MAL202128151E3](#) [MAL202128689E3](#) [MAL202128681E3](#) [MAL202126221E3](#)
[MAL202126222E3](#) [MAL202128229E3](#) [MAL202128221E3](#) [MAL202128228E3](#) [MAL202126681E3](#) [MAL202127479E3](#)
[MAL202127471E3](#) [MAL202117472E3](#) [MAL202127229E3](#) [MAL202127221E3](#) [MAL202126479E3](#) [MAL202116682E3](#)
[MAL202128478E3](#) [MAL202128471E3](#) [MAL202127681E3](#) [MAL202116222E3](#) [MAL202129109E3](#) [MAL202129101E3](#)
[MAL202129108E3](#) [MAL202119331E3](#) [MAL202129159E3](#) [MAL202129151E3](#) [MAL202118102E3](#) [MAL202118152E3](#)
[MAL202129331E3](#) [MAL202129339E3](#) [MAL202119102E3](#) [MAL202119101E3](#) [MAL202119151E3](#) [MAL202129478E3](#)
[MAL202133471E3](#) [MAL202118471E3](#) [MAL202119221E3](#) [MAL202118221E3](#) [MAL202118222E3](#) [MAL202129689E3](#)
[MAL202118681E3](#) [MAL202119471E3](#) [MAL202129229E3](#) [MAL202129228E3](#)