

# Quad, Serial 8-Bit DACs with Rail-to-Rail Outputs

## ABSOLUTE MAXIMUM RATINGS

V <sub>DD</sub> to DGND	-0.3V, +6V	20-Pin Plastic DIP (derate 11.11mW/°C above +70°C)	889mW
V <sub>DD</sub> to AGND	-0.3V, +6V	20-Pin Wide SO (derate 10.00mW/°C above +70°C)	800mW
V <sub>SS</sub> to DGND	-6V, +0.3V	20-Pin SSOP (derate 10.00mW/°C above +70°C)	800mW
V <sub>SS</sub> to AGND	-6V, +0.3V	20-Pin CERDIP (derate 11.11mW/°C above +70°C)	889mW
V <sub>DD</sub> to V <sub>SS</sub>	-0.3V, +12V	Operating Temperature Ranges:	
Digital Input Voltage to DGND	-0.3V, (V <sub>DD</sub> + 0.3V)	MAX5__C_	0°C to +70°C
REF_	(V <sub>SS</sub> - 0.3V), (V <sub>DD</sub> + 0.3V)	MAX5__E_	-40°C to +85°C
OUT_	V <sub>DD</sub> , V <sub>SS</sub>	MAX5__MJ_	-55°C to +125°C
Maximum Current into Any Pin	50mA	Storage Temperature Range	-65°C to +150°C
Continuous Power Dissipation (T <sub>A</sub> = +70°C)		Lead Temperature (soldering, 10s)	+300°C
16-Pin Plastic DIP (derate 10.53mW/°C above +70°C)	842mW	Soldering Temperature (reflow)	
16-Pin Wide SO (derate 9.52mW/°C above +70°C)	762mW	Lead (Pb)-free packages	+260°C
16-Pin CERDIP (derate 10.00mW/°C above +70°C)	800mW	Packages containing lead (Pb)	+260°C

**Note:** The outputs may be shorted to V<sub>DD</sub>, V<sub>SS</sub>, or AGND if the package power dissipation is not exceeded. Typical short-circuit current to AGND is 50mA. Do not bias AGND more than +1V above DGND, or more than 2.5V below DGND.

Stresses beyond those listed under "Absolute Maximum Ratings" may cause permanent damage to the device. These are stress ratings only, and functional operation of the device at these or any other conditions beyond those indicated in the operational sections of the specifications is not implied. Exposure to absolute maximum rating conditions for extended periods may affect device reliability.

## ELECTRICAL CHARACTERISTICS

(V<sub>DD</sub> = +5V ±10%, V<sub>SS</sub> = 0V to -5.5V, V<sub>REF</sub> = 4V, AGND = DGND = 0V, R<sub>L</sub> = 10kΩ, C<sub>L</sub> = 100pF, T<sub>A</sub> = T<sub>MIN</sub> to T<sub>MAX</sub>, unless otherwise noted.)

PARAMETER	SYMBOL	CONDITIONS	MIN	TYP	MAX	UNITS
<b>STATIC ACCURACY</b>						
Resolution			8			Bits
Total Unadjusted Error	TUE	V <sub>REF</sub> = +4V, V <sub>SS</sub> = 0V or -5V ±10%	MAX5__A	±1		LSB
			MAX5__B	±1.5		
		V <sub>REF</sub> = -4V, V <sub>SS</sub> = -5V ±10%	MAX5__A	±1		
			MAX5__B	±1.5		
Differential Nonlinearity	DNL	Guaranteed monotonic			±1	LSB
Zero-Code Error	ZCE	Code = 00 hex, V <sub>SS</sub> = 0V	MAX5__C	14		mV
			MAX5__E	16		
			MAX5__M	20		
		Code = 00 hex, V <sub>SS</sub> = -5V ±10%	MAX5__C	±14		
			MAX5__E	±16		
			MAX5__M	±20		
Zero-Code-Error Supply Rejection		Code = 00 hex, V <sub>DD</sub> = 5V ±10%, V <sub>SS</sub> = 0V or -5V ±10%	1	2		mV
Zero-Code Temperature Coefficient		Code = 00 hex	±10			μV/°C
Full-Scale Error		Code = FF hex			±14	mV
Full-Scale-Error Supply Rejection		Code = FF hex, V <sub>DD</sub> = +5V ±10%, V <sub>SS</sub> = 0V or -5V ±10%	MAX5__C	1	4	mV
			MAX5__E	1	8	
			MAX5__M	1	12	
Full-Scale-Error Temperature Coefficient		Code = FF hex	±10			μV/°C

# Quad, Serial 8-Bit DACs with Rail-to-Rail Outputs

MAX509/MAX510

## ELECTRICAL CHARACTERISTICS (continued)

( $V_{DD} = +5V \pm 10\%$ ,  $V_{SS} = 0V$  to  $-5.5V$ ,  $V_{REF} = 4V$ ,  $AGND = DGND = 0V$ ,  $R_L = 10k\Omega$ ,  $C_L = 100pF$ ,  $T_A = T_{MIN}$  to  $T_{MAX}$ , unless otherwise noted.)

PARAMETER	SYMBOL	CONDITIONS	MIN	TYP	MAX	UNITS
<b>REFERENCE INPUTS</b>						
Input Voltage Range			$V_{SS}$		$V_{DD}$	V
Input Resistance (Note 1)		Code = 55 hex	MAX509	16	24	k $\Omega$
			MAX510	8	12	
Input Capacitance (Note 2)		Code = 00 hex	MAX509	15		pF
			MAX510	30		
Channel-to-Channel Isolation		(Note 3)		-60		dB
AC Feedthrough		(Note 4)		-70		dB
<b>DAC OUTPUTS</b>						
Full-Scale Output Voltage			$V_{SS}$		$V_{DD}$	V
Resistive Load		VREF = 4V, load regulation $\leq 1/4LSB$	2			k $\Omega$
		VREF = -4V, $V_{SS} = -5V \pm 10\%$ , load regulation $\leq 1/4LSB$	2			
		VREF = $V_{DD}$ MAX5_C/E, load regulation $\leq 1LSB$	10			
		VREF = $V_{DD}$ MAX5_M, load regulation $\leq 2LSB$	10			
<b>DIGITAL INPUTS</b>						
Input High Voltage	$V_{IH}$		2.4			V
Input Low Voltage	$V_{IL}$				0.8	V
Input Current	$I_{IN}$	$V_{IN} = 0V$ or $V_{DD}$			1.0	$\mu A$
Input Capacitance	$C_{IN}$	(Note 5)			10	pF
<b>DIGITAL OUTPUTS</b>						
Output High Voltage	$V_{OH}$	$I_{SOURCE} = 0.2mA$	$V_{DD} - 0.5$			V
Output Low Voltage	$V_{OL}$	$I_{SINK} = 1.6mA$			0.4	V
<b>DYNAMIC PERFORMANCE</b>						
Voltage-Output Slew Rate		Positive and negative	MAX5_C	1.0		V/ $\mu s$
			MAX5_E	0.7		
			MAX5_M	0.5		
Output Settling Time (Note 6)		To 1/2LSB, 10k $\Omega$    100pF load		6		$\mu s$
Digital Feedthrough		Code = 00 hex, all digital inputs from 0V to $V_{DD}$		5		nV-s
Digital-to-Analog Glitch Impulse		Code 128 $\rightarrow$ 127		12		nV-s
Signal-to-Noise + Distortion Ratio	SINAD	VREF = 4V $_{p-p}$ at 1kHz, $V_{DD} = 5V$ , code = FF hex		87		dB
		VREF = 4V $_{p-p}$ at 20kHz, $V_{SS} = -5V \pm 10\%$		74		
Multiplying Bandwidth		VREF = 0.5V $_{p-p}$ , 3dB bandwidth		1		MHz
Wideband Amplifier Noise				60		$\mu V_{RMS}$

# Quad, Serial 8-Bit DACs with Rail-to-Rail Outputs

## ELECTRICAL CHARACTERISTICS (continued)

( $V_{DD} = +5V \pm 10\%$ ,  $V_{SS} = 0V$  to  $-5.5V$ ,  $V_{REF} = 4V$ ,  $AGND = DGND = 0V$ ,  $R_L = 10k\Omega$ ,  $C_L = 100pF$ ,  $T_A = T_{MIN}$  to  $T_{MAX}$ , unless otherwise noted.)

PARAMETER	SYMBOL	CONDITIONS	MIN	TYP	MAX	UNITS
<b>POWER SUPPLIES</b>						
Positive Supply Voltage	$V_{DD}$	For specified performance	4.5		5.5	V
Negative Supply Voltage	$V_{SS}$	For specified performance	-5.5		0	V
Positive Supply Current	$I_{DD}$	Outputs unloaded, all digital inputs = 0V or $V_{DD}$	MAX5_ _C/E	5	10	mA
			MAX5_ _M	5	12	
Negative Supply Current	$I_{SS}$	$V_{SS} = -5V \pm 10\%$ , outputs unloaded, all digital inputs = 0V or $V_{DD}$	MAX5_ _C/E	5	10	mA
			MAX5_ _M	5	12	

**Note 1:** Input resistance is code dependent. The lowest input resistance occurs at code = 55 hex.

**Note 2:** Input capacitance is code dependent. The highest input capacitance occurs at code = 00 hex.

**Note 3:**  $V_{REF} = 4V_{p-p}$ , 10kHz. Channel-to-channel isolation is measured by setting the code of one DAC to FF hex and setting the code of all other DACs to 00 hex.

**Note 4:**  $V_{REF} = 4V_{p-p}$ , 10kHz. DAC code = 00 hex.

**Note 5:** Guaranteed by design.

**Note 6:** Output settling time is measured by taking the code from 00 hex to FF hex, and from FF hex to 00 hex.

## TIMING CHARACTERISTICS

( $V_{DD} = +5V \pm 10\%$ ,  $V_{SS} = 0V$  to  $-5V$ ,  $V_{REF} = 4V$ ,  $AGND = DGND = 0V$ ,  $C_L = 50pF$ ,  $T_A = T_{MIN}$  to  $T_{MAX}$ , unless otherwise noted.)

PARAMETER	SYMBOL	CONDITIONS	MIN	TYP	MAX	UNITS
$\overline{LDAC}$ Pulse Width Low	$t_{LDW}$	MAX5_ _C/E	40	20		ns
		MAX5_ _M	50	25		
$\overline{CS}$ Rise to $\overline{LDAC}$ Fall Setup Time	$t_{CLL}$	(Notes 7, 8)	0			ns
$\overline{CLR}$ Pulse Width Low	$t_{CLW}$	MAX5_ _C/E	40	20		ns
		MAX5_ _M	50	25		
<b>SERIAL INTERFACE TIMING</b>						
$\overline{CS}$ Fall to SCLK Setup Time	$t_{CSS}$	MAX5_ _C/E	40			ns
		MAX5_ _M	50			
SCLK Fall to $\overline{CS}$ Rise Hold Time	$t_{CSH2}$		0			ns
SCLK Rise to $\overline{CS}$ Rise Hold Time	$t_{CSH1}$	(Note 9)	40			ns
SCLK Fall to $\overline{CS}$ Fall Hold Time	$t_{CSH0}$	(Note 7)	0			ns
DIN to SCLK Rise Setup Time	$t_{DS}$	MAX5_ _C/E	40			ns
		MAX5_ _M	50			
DIN to SCLK Rise Hold Time	$t_{DH}$		0			ns
SCLK Clock Frequency	$f_{CLK}$	MAX5_ _C/E		20	12.5	MHz
		MAX5_ _M		20	10	
SCLK Pulse Width High	$t_{CH}$	MAX5_ _C/E	40			ns
		MAX5_ _M	50			
SCLK Pulse Width Low	$t_{CL}$	MAX5_ _C/E	40			ns
		MAX5_ _M	50			
SCLK to DOUT Valid	$t_{DO}$	MAX5_ _C/E	10		100	ns
		MAX5_ _M	10		100	

**Note 7:** Guaranteed by design.

**Note 8:** If  $\overline{LDAC}$  is activated prior to  $\overline{CS}$ 's rising edge, it must stay low for  $t_{LDW}$  or longer after  $\overline{CS}$  goes high.

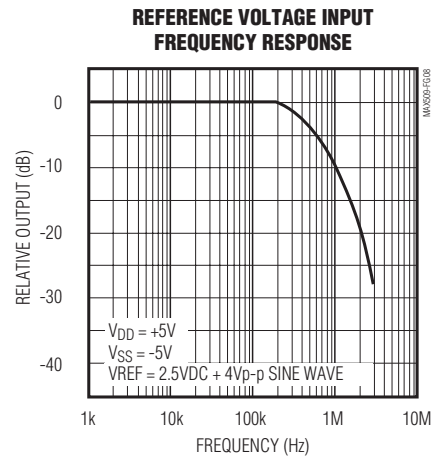
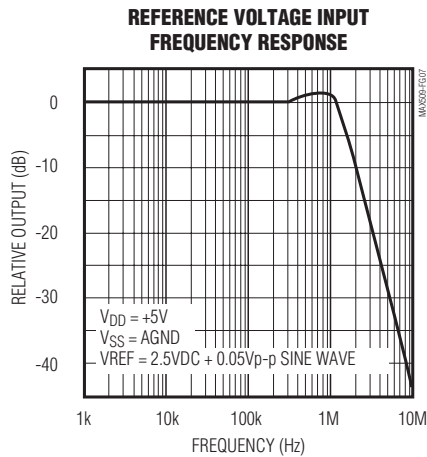
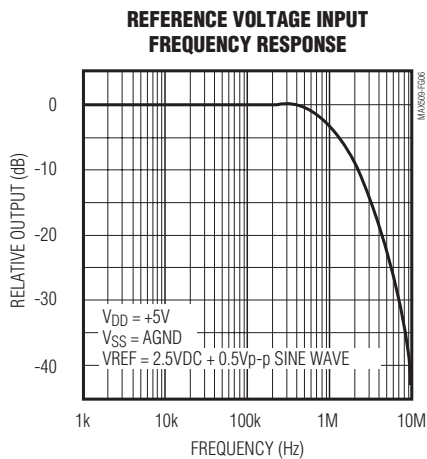
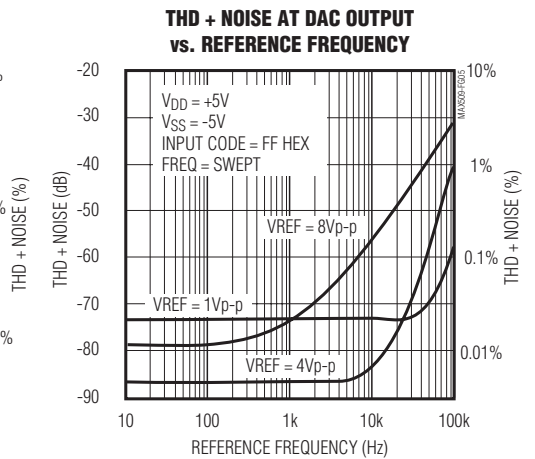
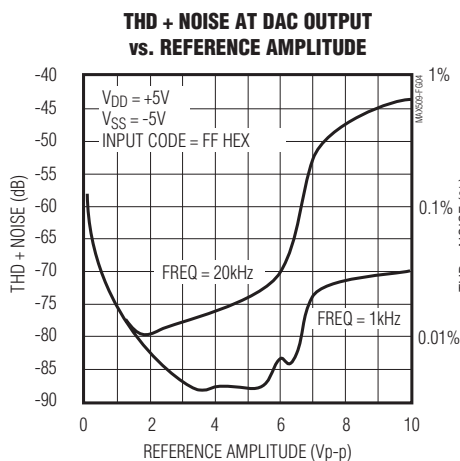
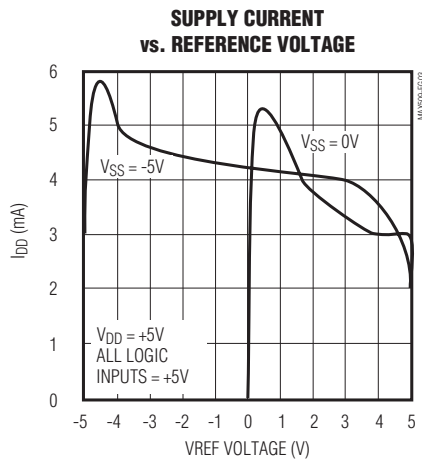
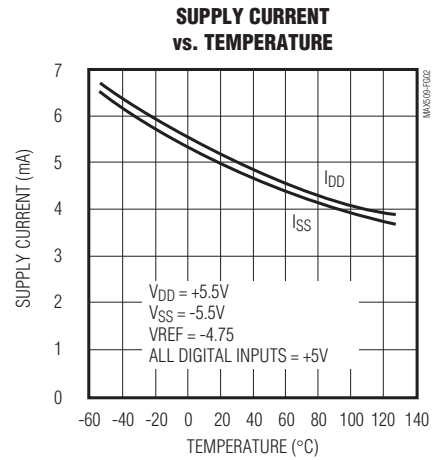
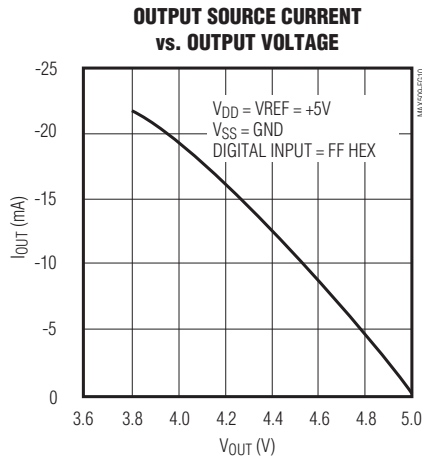
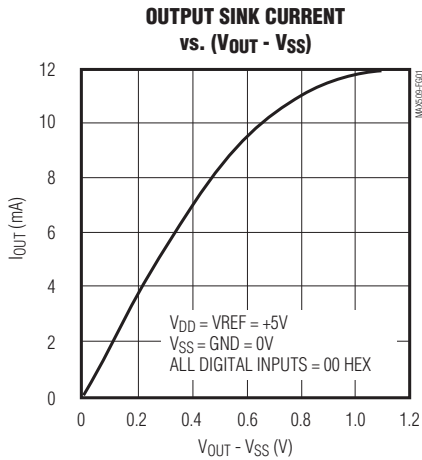
**Note 9:** Minimum delay from 12th clock cycle to  $\overline{CS}$  rise.

# Quad, Serial 8-Bit DACs with Rail-to-Rail Outputs

## Typical Operating Characteristics

( $T_A = +25^\circ\text{C}$ , unless otherwise noted.)

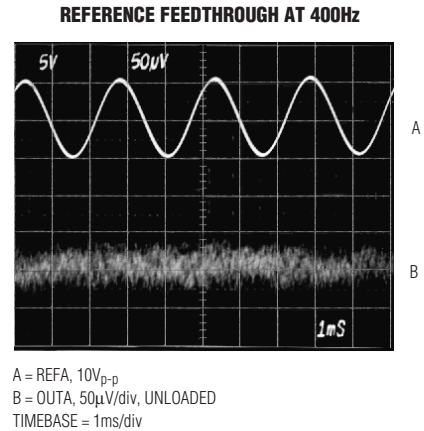
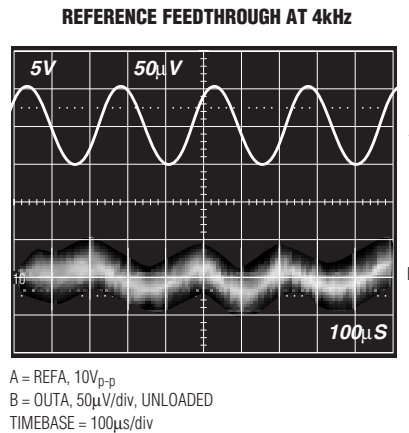
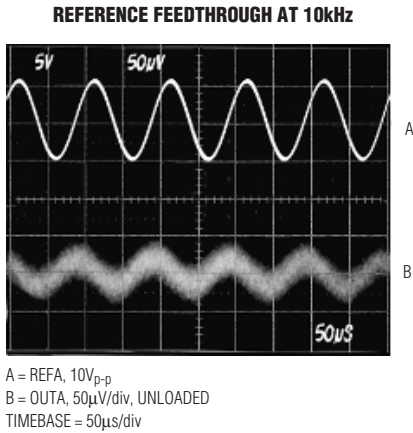
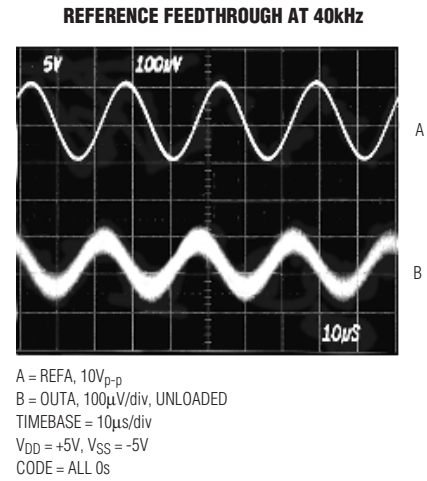
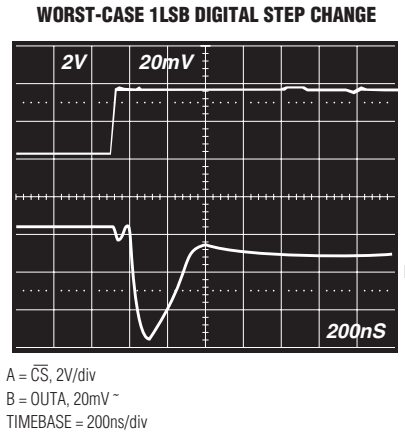
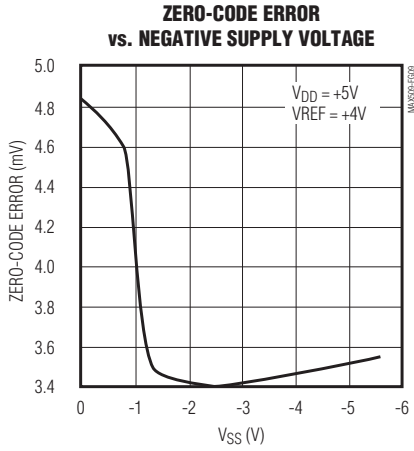
MAX509/MAX510



# Quad, Serial 8-DACs with Rail-to-Rail Outputs

## Typical Operating Characteristics (continued)

( $T_A = +25^\circ\text{C}$ , unless otherwise noted.)



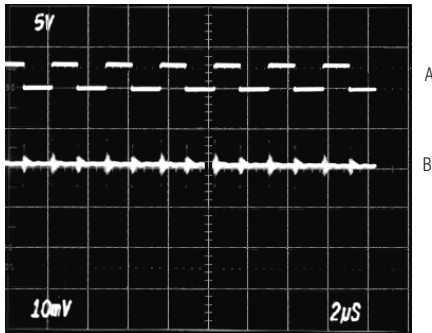
# Quad, Serial 8-Bit DACs with Rail-to-Rail Outputs

MAX509/MAX510

## Typical Operating Characteristics (continued)

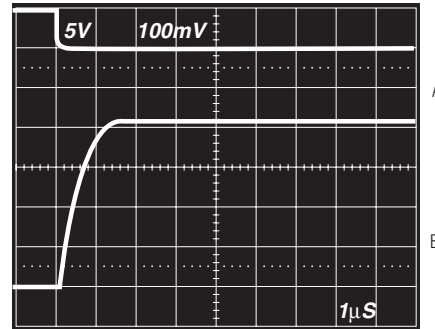
( $T_A = +25^\circ\text{C}$ , unless otherwise noted.)

**CLOCK FEEDTHROUGH**



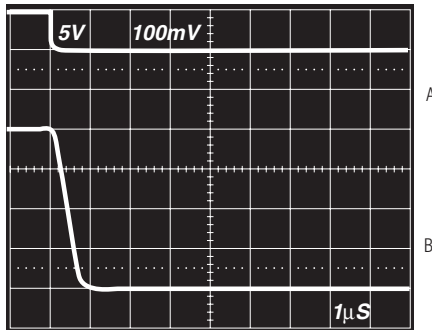
A = SCLK, 333kHz  
B = OUT<sub>-</sub>, 10mV/div  
TIMEBASE = 2µs/div

**POSITIVE SETTLING TIME  
( $V_{SS} = \text{AGND OR } -5\text{V}$ )**



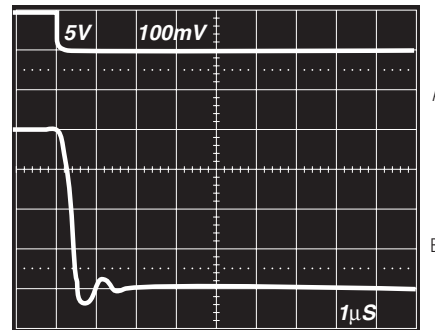
A = DIGITAL INPUT, 5V/div  
B = OUT<sub>-</sub>, 2V/div  
TIMEBASE = 1µs/div  
 $V_{DD} = +5\text{V}$   
 $\text{REF}_- = +4\text{V}$   
ALL BITS OFF TO ALL BITS ON  
 $R_L = 10\text{k}\Omega$ ,  $C_L = 100\text{pF}$

**NEGATIVE SETTLING TIME  
( $V_{SS} = \text{AGND}$ )**



A = DIGITAL INPUT, 5V/div  
B = OUT<sub>-</sub>, 2V/div  
TIMEBASE = 1µs/div  
 $V_{DD} = +5\text{V}$   
 $\text{REF}_- = +4\text{V}$   
ALL BITS ON TO ALL BITS OFF  
 $R_L = 10\text{k}\Omega$ ,  $C_L = 100\text{pF}$

**NEGATIVE SETTLING TIME  
( $V_{SS} = -5\text{V}$ )**



A = DIGITAL INPUT, 5V/div  
B = OUT<sub>-</sub>, 2V/div  
TIMEBASE = 1µs/div  
 $V_{DD} = +5\text{V}$   
 $\text{REF}_- = +4\text{V}$   
ALL BITS ON TO ALL BITS OFF  
 $R_L = 10\text{k}\Omega$ ,  $C_L = 100\text{pF}$

# Quad, Serial 8-Bit DACs with Rail-to-Rail Outputs

## Pin Description

PIN		NAME	FUNCTION
MAX509	MAX510		
1	1	OUTB	DAC B Voltage Output
2	2	OUTA	DAC A Voltage Output
3	3	VSS	Negative Power Supply, 0V to -5V $\pm$ 10%. Connect to AGND for single-supply operation.
4	–	REFB	Reference Voltage Input for DAC B
–	4	REFAB	Reference Voltage Input for DACs A and B
5	–	REFA	Reference Voltage Input for DAC A
6	5	AGND	Analog Ground
7, 14	–	N.C.	Not Internally Connected
8	6	DGND	Digital Ground
9	7	$\overline{\text{LDAC}}$	Load DAC Input (active low). Driving this asynchronous input low (level sensitive) transfers the contents of each input latch to its respective DAC latch.
10	8	DOUT	Serial Data Output. Can sink and source current. Data at DOUT is adjustable to be clocked out on rising or falling edge of SCLK.
11	9	$\overline{\text{CLR}}$	Clear DAC input (active low). Driving $\overline{\text{CLR}}$ low causes an asynchronous clear of input and DAC registers and sets all DAC outputs to zero.
12	10	DIN	Serial Data Input. TTL/CMOS-compatible input. Data is clocked into DIN on the rising edge of SCLK. $\overline{\text{CS}}$ must be low for data to be clocked in.
13	11	SCLK	Serial Clock Input. Data is clocked in on the rising edge and clocked out on either the rising (default) or the falling edge.
15	12	$\overline{\text{CS}}$	Chip-Select Input (active low). Data is shifted in and out when $\overline{\text{CS}}$ is low. Programming commands are executed when $\overline{\text{CS}}$ rises.
16	–	REFD	Reference Voltage Input for DAC D
–	13	REFCD	Reference Voltage Input for DACs C and D
17	–	REFC	Reference Voltage Input for DAC C
18	14	VDD	Positive Power Supply, +5V $\pm$ 10%
19	15	OUTD	DAC D Output Voltage
20	16	OUTC	DAC C Output Voltage

# Quad, Serial 8-Bit DACs with Rail-to-Rail Outputs

## Detailed Description

### Serial Interface

At power-on, the serial interface and all DACs are cleared and set to code zero. The serial data output (DOUT) is set to transition on SCLK's rising edge.

The MAX509/MAX510 communicate with microprocessors through a synchronous, full-duplex, 3-wire interface (Figure 1). Data is sent MSB first and can be transmitted in one 4-bit and one 8-bit (byte) packet or in one 12-bit word. If a 16-bit control word is used, the first four bits are ignored. A 4-wire interface adds a line for LDAC and allows asynchronous updating. The serial clock (SCLK) synchronizes the data transfer. Data is transmitted and received simultaneously.

Figure 2 shows a detailed serial interface timing. Please note that the clock should be low if it is stopped

between updates. DOUT does not go into a high-impedance state if the clock or  $\overline{CS}$  is high.

Serial data is clocked into the data registers in MSB-first format, with the address and configuration information preceding the actual DAC data. Data is clocked in on SCLK's rising edge while  $\overline{CS}$  is low. Data at DOUT is clocked out 12 clock cycles later, either at SCLK's rising edge (default or mode 1) or falling edge (mode 0).

Chip select ( $\overline{CS}$ ) must be low to enable the DAC. If  $\overline{CS}$  is high, the interface is disabled and DOUT remains unchanged.  $\overline{CS}$  must go low at least 40ns before the first rising edge of the clock pulse to properly clock in the first bit. With  $\overline{CS}$  low, data is clocked into the MAX509/MAX510's internal shift register on the rising edge of the external serial clock. SCLK can be driven at rates up to 12.5MHz.

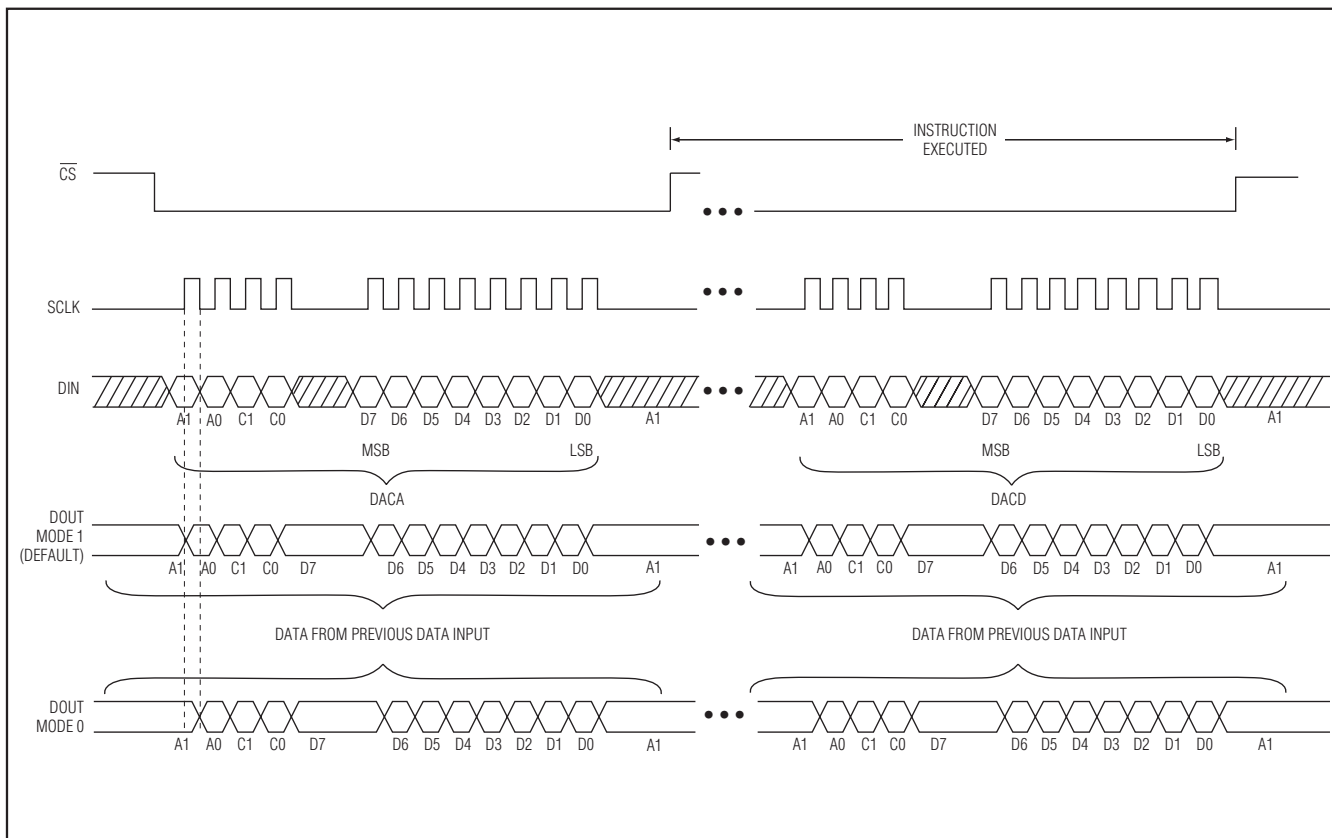


Figure 1. MAX509/MAX510 3-Wire Interface Timing



# Quad, Serial 8-Bit DACs with Rail-to-Rail Outputs

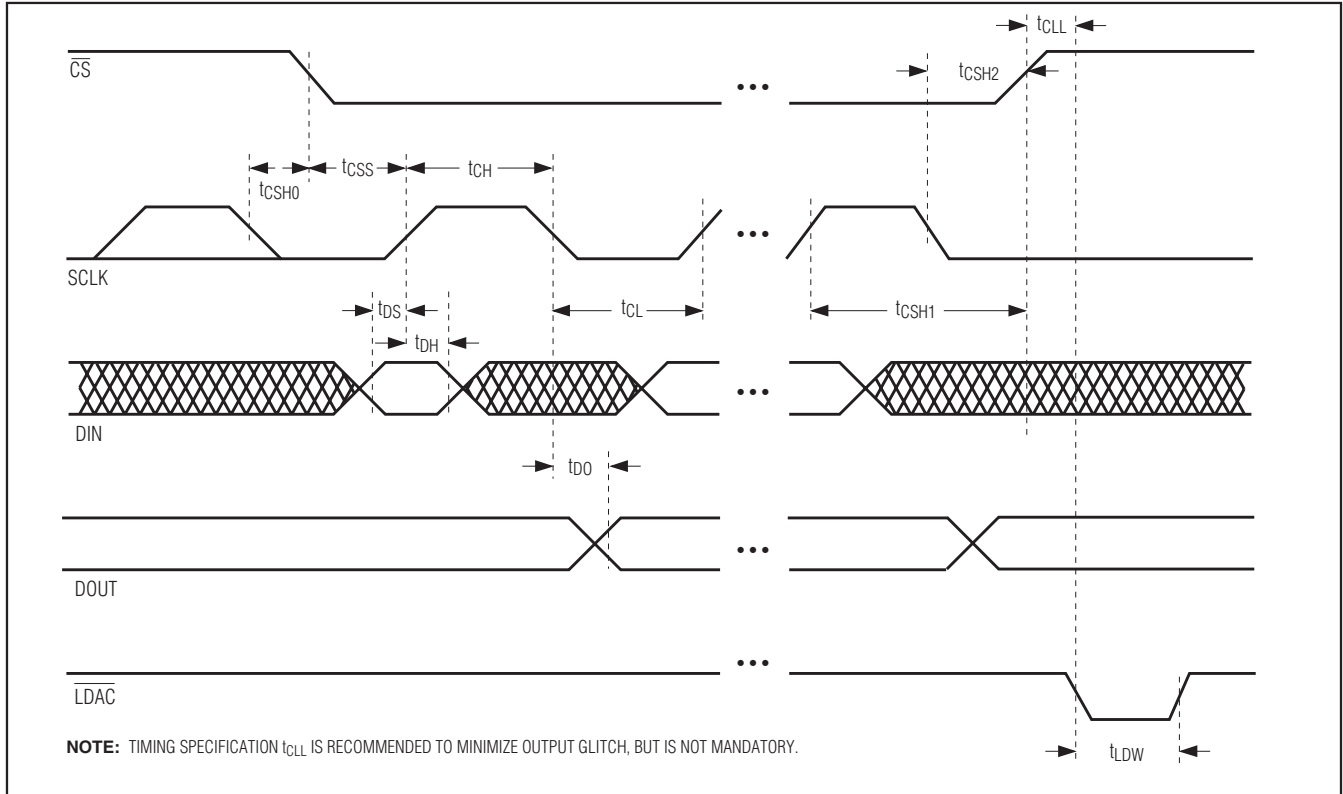


Figure 2. Detailed Serial Interface Timing (Mode 0 Shown)

Table 1. Serial-Interface Programming Commands

12-Bit Serial Word					$\overline{\text{LDAC}}$	Function
A1	A0	C1	C0	D7 . . . . . D0		
0	0	0	1	8-Bit DAC Data	1	Load DAC A input register, DAC output unchanged.
0	1	0	1	8-Bit DAC Data	1	Load DAC B input register, DAC output unchanged.
1	0	0	1	8-Bit DAC Data	1	Load DAC C input register, DAC output unchanged.
1	1	0	1	8-Bit DAC Data	1	Load DAC D input register, DAC output unchanged.
0	0	1	1	8-Bit DAC Data	1	Load input and DAC register A.
0	1	1	1	8-Bit DAC Data	1	Load input and DAC register B.
1	0	1	1	8-Bit DAC Data	1	Load input and DAC register C.
1	1	1	1	8-Bit DAC Data	1	Load input and DAC register D.
X	0	0	0	8-Bit DAC Data	X	Update all DACs from shift register.
X	1	0	0	X X X X X X X X	X	No Operation (NOP), shifts data in shift register.
0	X	1	0	X X X X X X X X	X	" $\overline{\text{LDAC}}$ " Command, all DACs updated from respective input registers.
1	1	1	0	X X X X X X X X	X	Mode 1, DOUT clocked out on rising edge of SCLK (default). All DACs updated from respective input registers.
1	0	1	0	X X X X X X X X	X	Mode 0, DOUT clocked out on falling edge of SCLK. All DACs updated from input registers.

# Quad, Serial 8-Bit DACs with Rail-to-Rail Outputs

## Serial Input Data Format and Control Codes

The 12-bit serial input format shown in Figure 3 comprises two DAC address bits (A1, A0), two control bits (C1, C0) and eight bits of data (D0...D7).

The 4-bit address/control code configures the DAC as shown in Table 1.

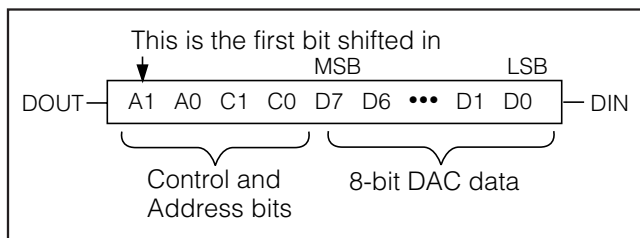


Figure 3. Serial Input Format

## Load Input Register, DAC Registers Unchanged (Single Update Operation)

A1	A0	C1	C0	D7	D6	D5	D4	D3	D2	D1	D0
Address	0	1		8-Bit Data							

( $\overline{\text{LDAC}} = \text{H}$ )

When performing a single update operation, A1 and A0 select the respective input register. At the rising edge of  $\overline{\text{CS}}$ , the selected input register is loaded with the current shift-register data. All DAC outputs remain unchanged. This preloads individual data in the input register without changing the DAC outputs.

## Load Input and DAC Registers

A1	A0	C1	C0	D7	D6	D5	D4	D3	D2	D1	D0
Address	1	1		8-Bit Data							

( $\overline{\text{LDAC}} = \text{H}$ )

This command directly loads the selected DAC register at  $\overline{\text{CS}}$ 's rising edge. A1 and A0 set the DAC address. Current shift-register data is placed in the selected input and DAC registers.

For example, to load all four DAC registers simultaneously with individual settings (DAC A = 1V, DAC B = 2V, DAC C = 3V and DAC D = 4V), five commands are required. First, perform four single input register update operations. Next, perform an "LDAC" command as a fifth command. All DACs will be updated from their respective input registers at the rising edge of  $\overline{\text{CS}}$ .

## Update All DACs from Shift Registers

A1	A0	C1	C0	D7	D6	D5	D4	D3	D2	D1	D0
x	0	0	0	8-Bit DAC Data							

( $\overline{\text{LDAC}} = \text{x}$ )

All four DAC registers are updated with shift-register data. This command allows all DACs to be set to any analog value within the reference range. This command can be used to substitute  $\overline{\text{CLR}}$  if code 00 hex is programmed, which clears all DACs.

## No Operation (NOP)

A1	A0	C1	C0	D7	D6	D5	D4	D3	D2	D1	D0
x	1	0	0	x	x	x	x	x	x	x	x

( $\overline{\text{LDAC}} = \text{x}$ )

The NOP command (no operation) allows data to be shifted through the MAX509/MAX510 shift register without affecting the input or DAC registers. This is useful in daisy chaining (also see the *Daisy-Chaining Devices* section). For this command, the data bits are "Don't Cares." As an example, three MAX509/MAX510s are daisy-chained (A, B and C), and DAC A and DAC C need to be updated. The 36-bit-wide command would consist of one 12-bit word for device C, followed by an NOP instruction for device B and a third 12-bit word with data for device A. At  $\overline{\text{CS}}$ 's rising edge, only device B is not updated.

## "LDAC" Command (Software)

A1	A0	C1	C0	D7	D6	D5	D4	D3	D2	D1	D0
0	x	1	0	x	x	x	x	x	x	x	x

( $\overline{\text{LDAC}} = \text{x}$ )

All DAC registers are updated with the contents of their respective input registers at  $\overline{\text{CS}}$ 's rising edge. With the exception of using  $\overline{\text{CS}}$  to execute, this performs the same function as the asynchronous  $\overline{\text{LDAC}}$ .

## Set DOUT Phase – SCLK Rising (Mode 1, Default)

A1	A0	C1	C0	D7	D6	D5	D4	D3	D2	D1	D0
1	1	1	0	x	x	x	x	x	x	x	x

( $\overline{\text{LDAC}} = \text{x}$ )

Mode 1 resets the serial output DOUT to transition at SCLK's rising edge. This is the MAX509/MAX510's default setting after the supply voltage has been applied.

The command also loads all DAC registers with the contents of their respective input registers, and is identical to the "LDAC" command.

# Quad, Serial 8-Bit DACs with Rail-to-Rail Outputs

## Set DOUT Phase – SCLK Falling (Mode 0)

A1	A0	C1	C0	D7	D6	D5	D4	D3	D2	D1	D0
1	0	1	0	x	x	x	x	x	x	x	x

( $\overline{\text{LDAC}} = x$ )

This command resets DOUT to transition at SCLK's falling edge. Once this command is issued, the phase of DOUT is latched and will not change except on power-up or if the specific command is issued that sets the phase to rising edge.

The same command also updates all DAC registers with the contents of their respective input registers, identical to the "LDAC" command.

## $\overline{\text{LDAC}}$ Operation (Hardware)

$\overline{\text{LDAC}}$  is typically used in 4-wire interfaces (Figure 7).  $\overline{\text{LDAC}}$  allows asynchronous hardware control of the DAC outputs and is level-sensitive. With  $\overline{\text{LDAC}}$  low, the DAC registers are transparent and any time an input register is updated, the DAC output immediately follows.

## Clear DACs with $\overline{\text{CLR}}$

Strobing the  $\overline{\text{CLR}}$  pin low causes an asynchronous clear of input and DAC registers and sets all DAC outputs to zero. Similar to the  $\overline{\text{LDAC}}$  pin,  $\overline{\text{CLR}}$  can be invoked at any time, typically when the device is not selected ( $\overline{\text{CS}} = \text{H}$ ). When the DAC data is all zeros, this function is equivalent to the "Update all DACs from Shift Registers" command.

## Digital Inputs and Outputs

Digital inputs and outputs are compatible with both TTL and 5V CMOS logic. The power-supply current ( $I_{\text{DD}}$ ) depends on the input logic levels. Using CMOS logic to drive  $\overline{\text{CS}}$ , SCLK, DIN,  $\overline{\text{CLR}}$  and  $\overline{\text{LDAC}}$  turns off the internal level translators and minimizes supply currents.

## Serial Data Output

DOUT is the output of the internal shift register. DOUT can be programmed to clock out data on SCLK's falling edge (mode 0) or rising edge (mode 1). In mode 0, output data lags the input data by 12.5 clock cycles, maintaining compatibility with Microwire, SPI, and QSPI. In mode 1, output data lags the input by 12 clock cycles. On power-up, DOUT defaults to mode 1 timing. DOUT never three-states; it always actively drives either high or low and remains unchanged when  $\overline{\text{CS}}$  is high.

## Interfacing to the Microprocessor

The MAX509/MAX510 are Microwire, SPI, and QSPI compatible. For SPI and QSPI, clear the CPOL and CPHA configuration bits (CPOL = CPHA = 0). The SPI/QSPI CPOL = CPHA = 1 configuration can also be used if the DOUT output is ignored.

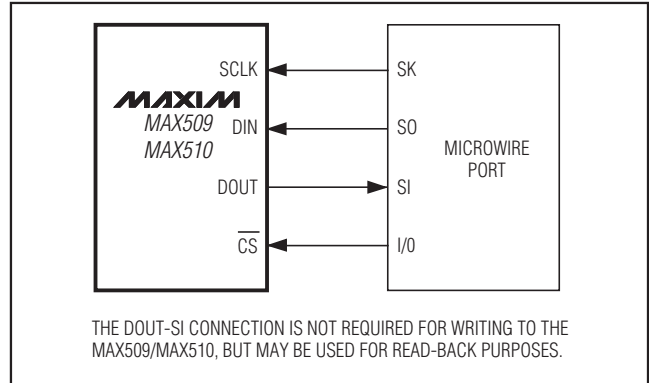


Figure 4. Connections for MICROWIRE

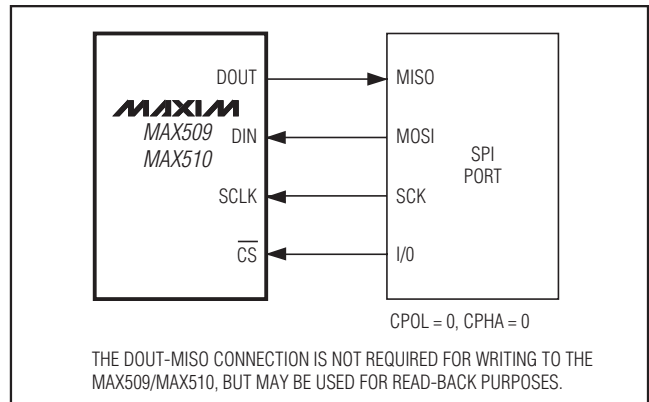


Figure 5. Connections for SPI

The MAX509/MAX510 can interface with Intel's 80C5X/80C3X family in mode 0 if the SCLK clock polarity is inverted. More universally, if a serial port is not available, three lines from one of the parallel ports can be used for bit manipulation.

Digital feedthrough at the voltage outputs is greatly minimized by operating the serial clock only to update the registers. Also see the Clock Feedthrough photo in the *Typical Operating Characteristics* section. The clock idle state is low.

## Daisy-Chaining Devices

Any number of MAX509/MAX510s can be daisy-chained by connecting the DOUT pin of one device to the DIN pin of the following device in the chain. The NOP instruction (Table 1) allows data to be passed from DIN to DOUT without changing the input or DAC registers of the passing device. A three-wire interface updates daisy-chained or individual MAX509/MAX510s simultaneously by bringing  $\overline{\text{CS}}$  high.

# Quad, Serial 8-Bit DACs with Rail-to-Rail Outputs

MAX509/MAX510

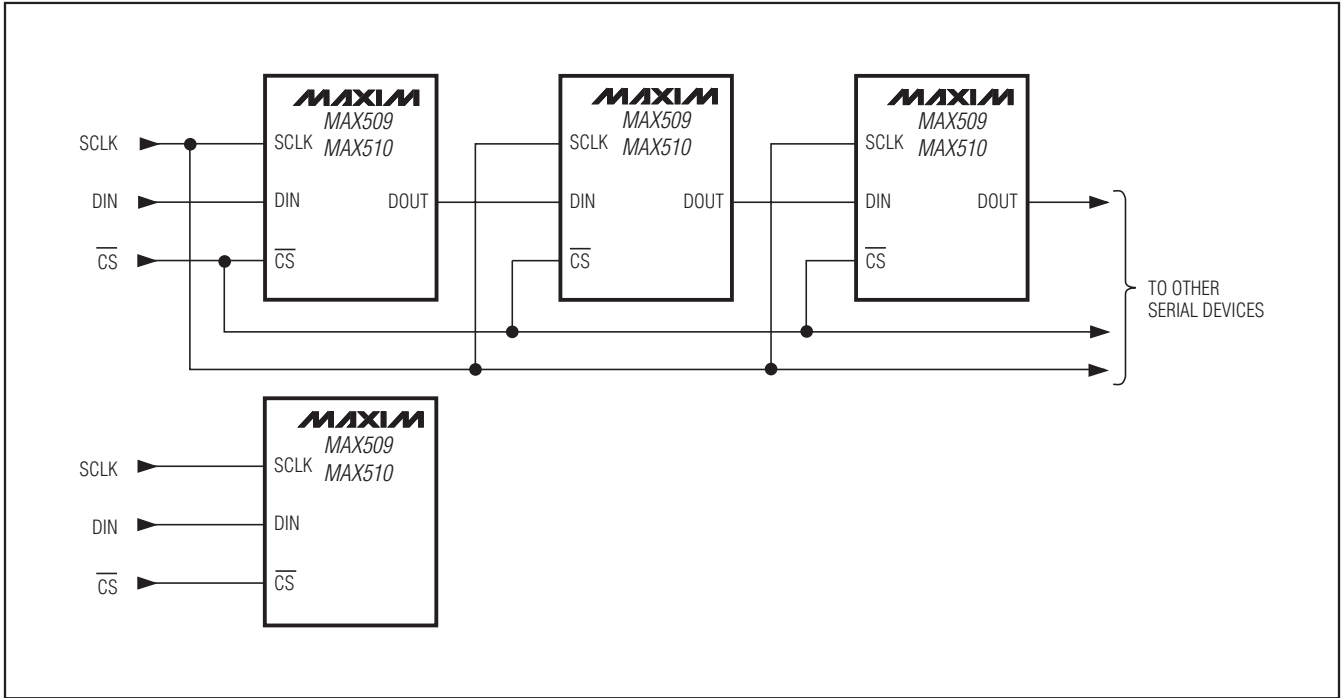


Figure 6. Daisy-chained or individual MAX509/MAX510s are simultaneously updated by bringing  $\overline{CS}$  high. Only three wires are required.

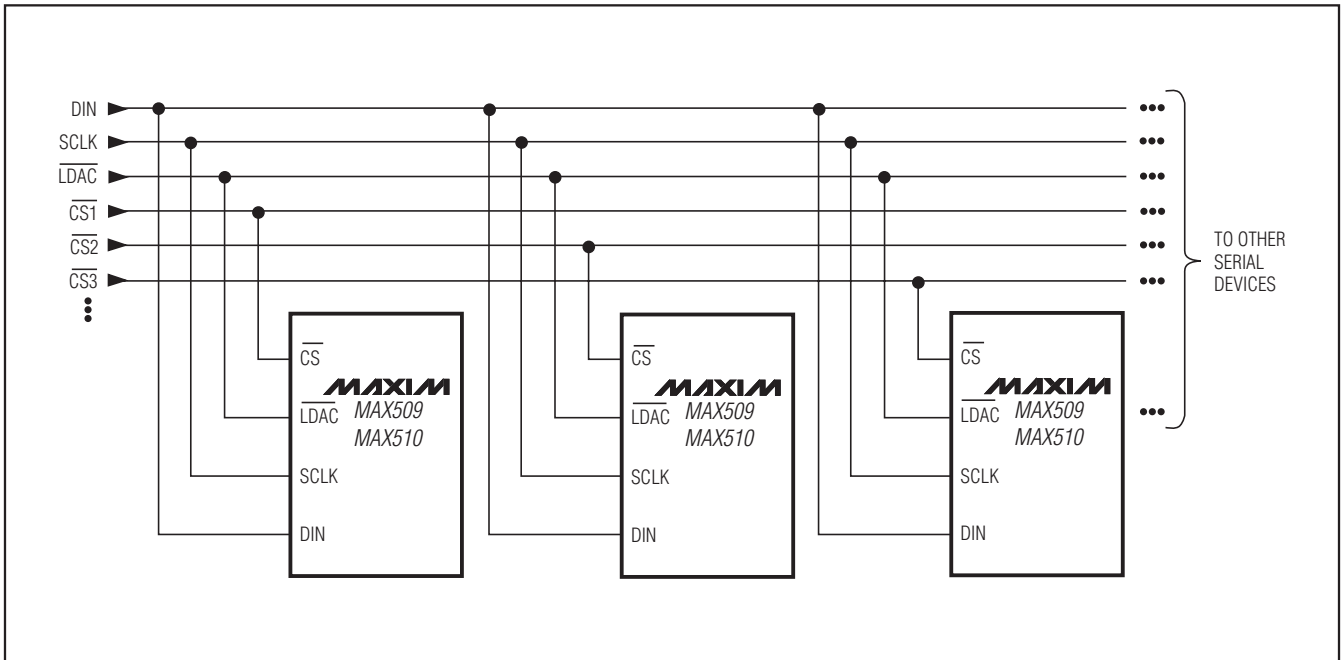


Figure 7. Multiple MAX509/MAX510 DACs sharing one DIN line. Simultaneously update by strobing  $\overline{LDAC}$ , or specifically update by enabling individual  $\overline{CS}$ .

## Quad, Serial 8-Bit DACs with Rail-to-Rail Outputs

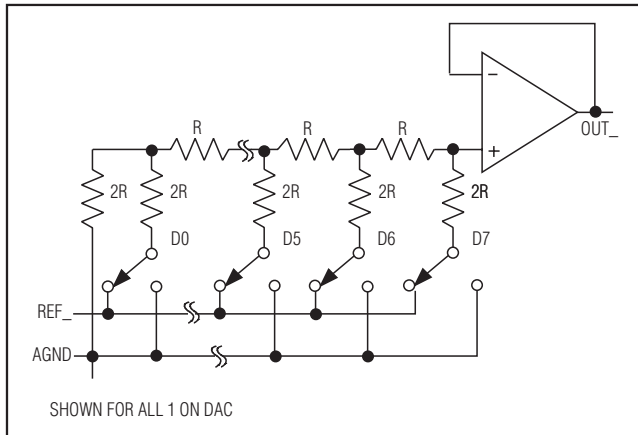


Figure 8. DAC Simplified Circuit Diagram

If multiple devices share a common DIN line, Figure 7's configuration provides simultaneous update by strobing  $\overline{\text{LDAC}}$  low.  $\overline{\text{CS1}}$ ,  $\overline{\text{CS2}}$ ,  $\overline{\text{CS3}}$ ... are driven separately, thus controlling which data are written to devices 1, 2, 3...

### Analog Section

#### DAC Operation

The MAX509/MAX510 contain four matched voltage-output DACs. The DACs are inverted R-2R ladder networks that convert 8-bit digital words into equivalent analog output voltages in proportion to the applied reference voltages. Each DAC in the MAX509 has a separate reference input, while the two reference inputs in the MAX510 each share a pair of DACs. The two reference inputs permit different full-scale output voltage ranges for each pair of DACs. A simplified diagram of one of the four DACs is shown in Figure 8.

#### Reference Input

The MAX509/MAX510 can be used for multiplying applications. The reference accepts both DC and AC signals. The voltage at each REF input sets the full-scale output voltage for its respective DAC(s). If the reference voltage is positive, both the MAX509 and MAX510 can be operated from a single supply. If dual supplies are used, the reference input can vary from  $V_{SS}$  to  $V_{DD}$ , but is always referred to AGND. The input impedance at REF is code dependent, with the lowest value ( $16\text{k}\Omega$  for the MAX509 and  $8\text{k}\Omega$  for the MAX510) occurring when the input code is 55 hex or 0101 0101. The maximum value, practically infinity, occurs when the input code is 00 hex. Since the REF input impedance is code dependent, the DAC's reference sources must have a low output impedance (no more than  $32\Omega$  for the MAX509 and  $16\Omega$  for the MAX510) to maintain output linearity. The REF input capacitance is also code

dependent:  $15\text{pF}$  typical for the MAX509 and  $30\text{pF}$  typical for the MAX510.

The output voltage for any DAC can be represented by a digitally programmable voltage source as:

$$V_{\text{OUT}} = (\text{NB} \times V_{\text{REF}}) / 256$$

where NB is the numerical value of the DAC's binary input code.

#### Output Buffer Amplifiers

All MAX509/MAX510 voltage outputs are internally buffered by precision unity-gain followers that slew at up to  $1\text{V}/\mu\text{s}$ . The outputs can swing from  $V_{SS}$  to  $V_{DD}$ . With a  $0\text{V}$  to  $+4\text{V}$  (or  $+4\text{V}$  to  $0\text{V}$ ) output transition, the amplifier outputs will settle to  $1/2\text{LSB}$  in typically  $6\mu\text{s}$  when loaded with  $10\text{k}\Omega$  in parallel with  $100\text{pF}$ .

The buffer amplifiers are stable with any combination of resistive loads  $\geq 2\text{k}\Omega$  and capacitive loads  $\leq 300\text{pF}$ .

## Applications Information

### Power Supply and Reference Operating Ranges

The MAX509/MAX510 are fully specified to operate with  $V_{DD} = 5\text{V} \pm 10\%$  and  $V_{SS} = 0\text{V}$  to  $-5.5\text{V}$ . 8-bit performance is guaranteed for both single- and dual-supply operation. The zero-code output error is less than  $14\text{mV}$  when operating from a single  $+5\text{V}$  supply.

The DACs work well with reference voltages from  $V_{SS}$  to  $V_{DD}$ . The reference voltage is referred to AGND.

The preferred power-up sequence is to apply  $V_{SS}$  and then  $V_{DD}$ , but bringing up both supplies at the same time is also acceptable. In either case, the voltage applied to REF should not exceed  $V_{DD}$  during power-up or at any other time. If proper power sequencing is not possible, connect an external Schottky diode between  $V_{SS}$  and AGND to ensure compliance with the *Absolute Maximum Ratings*. Do not apply signals to the digital inputs before the device is fully powered up.

### Power-Supply Bypassing and Ground Management

In single-supply operation ( $\text{AGND} = \text{DGND} = V_{SS} = 0\text{V}$ ), AGND, DGND and  $V_{SS}$  should be connected together in a "star" ground at the chip. This ground should then return to the highest quality ground available. Bypass  $V_{DD}$  with a  $0.1\mu\text{F}$  capacitor, located as close to  $V_{DD}$  and DGND as possible. In dual-supply operation, bypass  $V_{SS}$  to AGND with  $0.1\mu\text{F}$ .

Careful PC board layout minimizes crosstalk among DAC outputs, reference inputs, and digital inputs. Figures 9 and 10 show suggested circuit board layouts to minimize crosstalk.

## Quad, Serial 8-Bit DACs with Rail-to-Rail Outputs

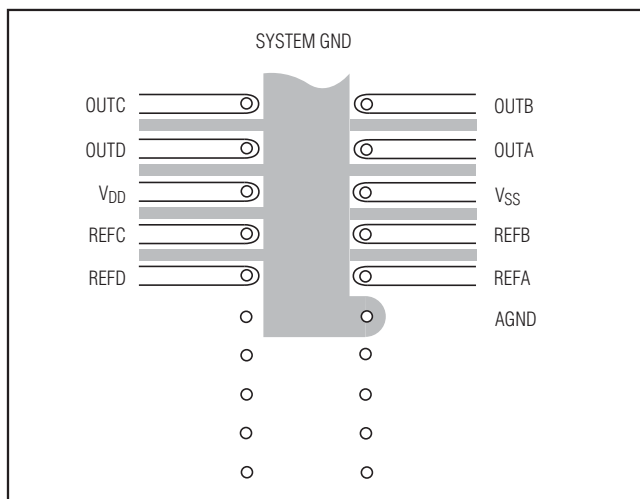


Figure 9. Suggested MAX509 PC Board Layout for Minimizing Crosstalk (Bottom View)

### Unipolar-Output, 2-Quadrant Multiplication

In unipolar operation, the output voltages and the reference input(s) are the same polarity. Figures 11 and 12 show the MAX509/MAX510 unipolar configurations. Both devices can be operated from a single supply if the reference inputs are positive. If dual supplies are used, the reference input can vary from VSS to VDD. Table 2 shows the unipolar code.

Table 2. Unipolar Code Table

DAC CONTENTS		ANALOG OUTPUT
MSB	LSB	
1 1 1 1	1 1 1 1	$+V_{REF} \left( \frac{255}{256} \right)$
1 0 0 0	0 0 0 1	$+V_{REF} \left( \frac{129}{256} \right)$
1 0 0 0	0 0 0 0	$+V_{REF} \left( \frac{128}{256} \right) = +\frac{V_{REF}}{2}$
0 1 1 1	1 1 1 1	$+V_{REF} \left( \frac{127}{256} \right)$
0 0 0 0	0 0 0 1	$+V_{REF} \left( \frac{1}{256} \right)$
0 0 0 0	0 0 0 0	0V

Note:  $1\text{LSB} = (V_{REF}) (2^{-8}) = +V_{REF} \left( \frac{1}{256} \right)$

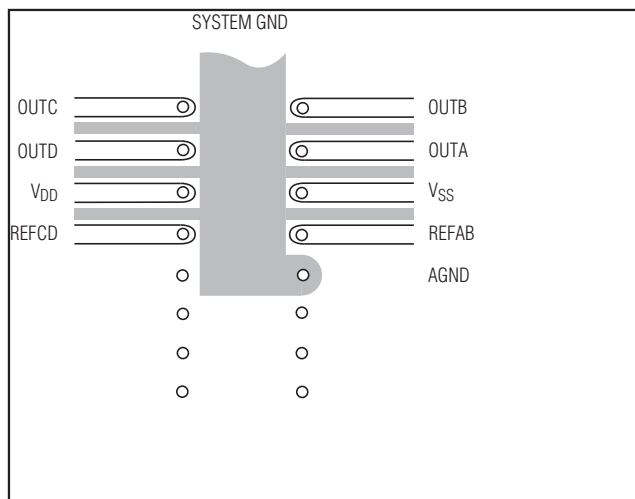


Figure 10. Suggested MAX510 PC Board Layout for Minimizing Crosstalk (Bottom View)

### Bipolar-Output, 2-Quadrant Multiplication

Bipolar-output, 2-quadrant multiplication is achieved by offsetting AGND positively or negatively. Table 3 shows the bipolar code.

AGND can be biased above DGND to provide an arbitrary nonzero output voltage for a 0 input code, as shown in Figure 13. The output voltage at OUTA is:

$$V_{OUTA} = V_{BIAS} + (NB/256)(V_{IN}),$$

Table 3. Bipolar Code Table

DAC CONTENTS		ANALOG OUTPUT
MSB	LSB	
1 1 1 1	1 1 1 1	$+V_{REF} \left( \frac{127}{128} \right)$
1 0 0 0	0 0 0 1	$+V_{REF} \left( \frac{1}{128} \right)$
1 0 0 0	0 0 0 0	0V
0 1 1 1	1 1 1 1	$-V_{REF} \left( \frac{1}{128} \right)$
0 0 0 0	0 0 0 1	$-V_{REF} \left( \frac{127}{128} \right)$
0 0 0 0	0 0 0 0	$-V_{REF} \left( \frac{128}{128} \right) = -V_{REF}$

# Quad, Serial 8-Bit DACs with Rail-to-Rail Outputs

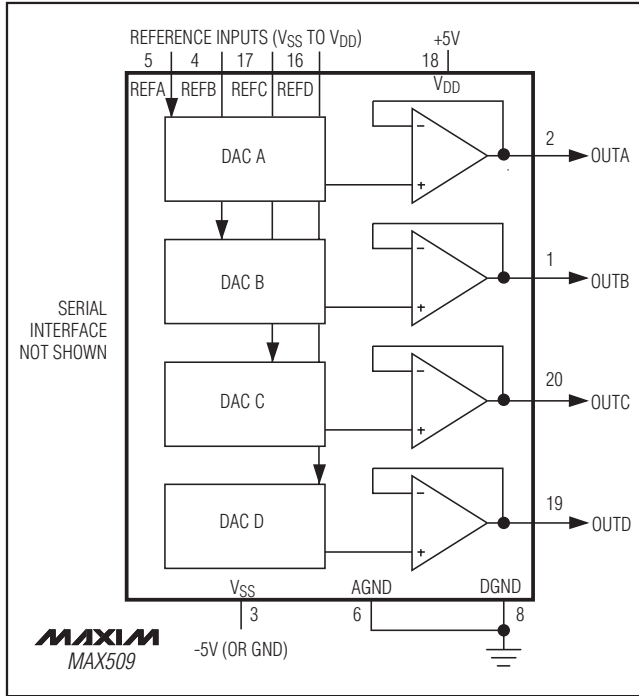


Figure 11. MAX509 Unipolar Output Circuit

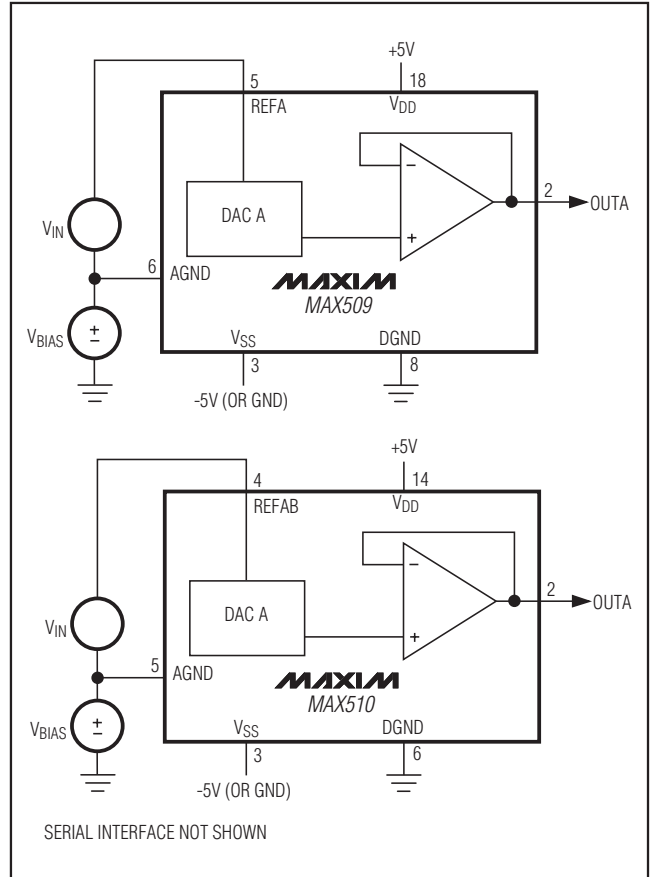


Figure 13. MAX509/MAX510 AGND Bias Circuits (Positive Offset)

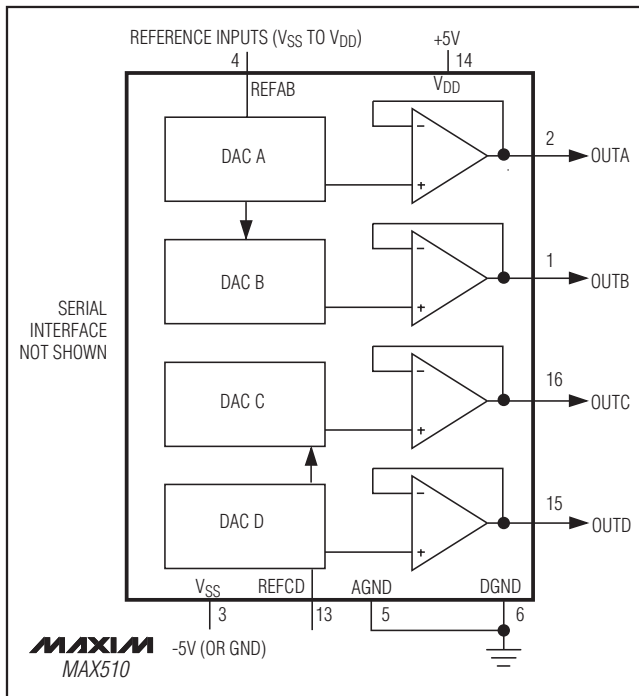


Figure 12. MAX510 Unipolar Output Circuit

where NB represents the digital input word. Since AGND is common to all four DACs, all outputs will be offset by  $V_{BIAS}$  in the same manner. Do not bias AGND more than +1V above DGND, or more than 2.5V below DGND.

Figures 14 and 15 illustrate the generation of negative offsets with bipolar outputs. In these circuits, AGND is biased negatively (up to -2.5V with respect to DGND) to provide an arbitrary negative output voltage for a 0 input code. The output voltage at OUTA is:

$$OUTA = -(R2/R1)(2.5V) + (NB/256)(2.5V)(R2/R1+1)$$

where NB represents the digital input word. Since AGND is common to all four DACs, all outputs will be offset by  $V_{BIAS}$  in the same manner. Table 3, with  $V_{REF} = 2.5V$ , shows the digital code vs. output voltage for Figure 14 and 15's circuits with  $R1 = R2$ . The ICL7612 op amp is chosen because its common-mode range extends to both supply rails.

# Quad, Serial 8-Bit DACs with Rail-to-Rail Outputs

MAX509/MAX510

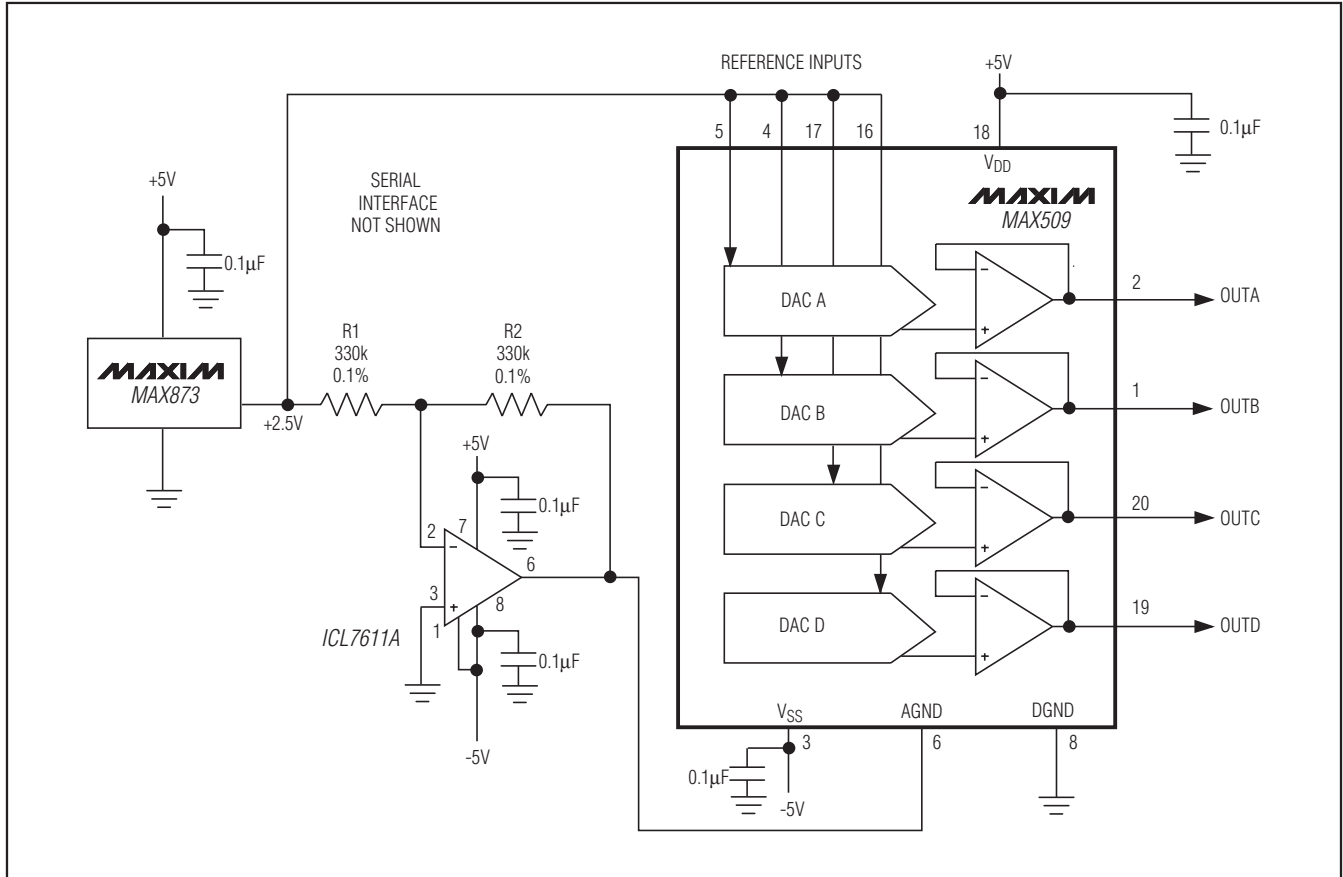


Figure 14. MAX509 AGND Bias Circuit (Negative Offset)

## 4-Quadrant Multiplication

Each DAC output may be configured for 4-quadrant multiplication using Figure 16 and 17's circuit. One op amp and two resistors are required per channel. With  $R1 = R2$ :

$$V_{OUT} = V_{REF} [2(NB/256)-1]$$

where NB represents the digital word in DAC register A.

The recommended value for resistors R1 and R2 is  $330k\Omega$  ( $\pm 0.1\%$ ). Table 3 shows the digital code vs. output voltage for Figure 16 and 17's circuit.



# Quad, Serial 8-Bit DACs with Rail-to-Rail Outputs

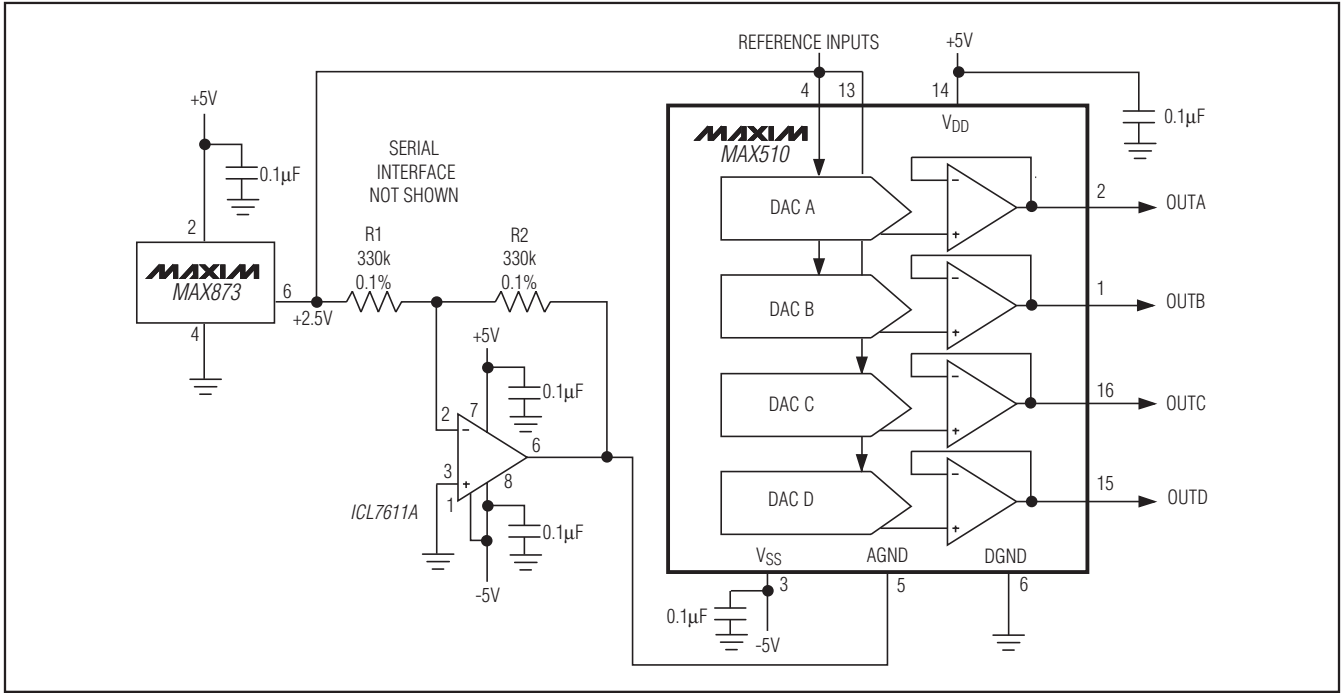


Figure 15. MAX510 AGND Bias Circuit (Negative Offset)

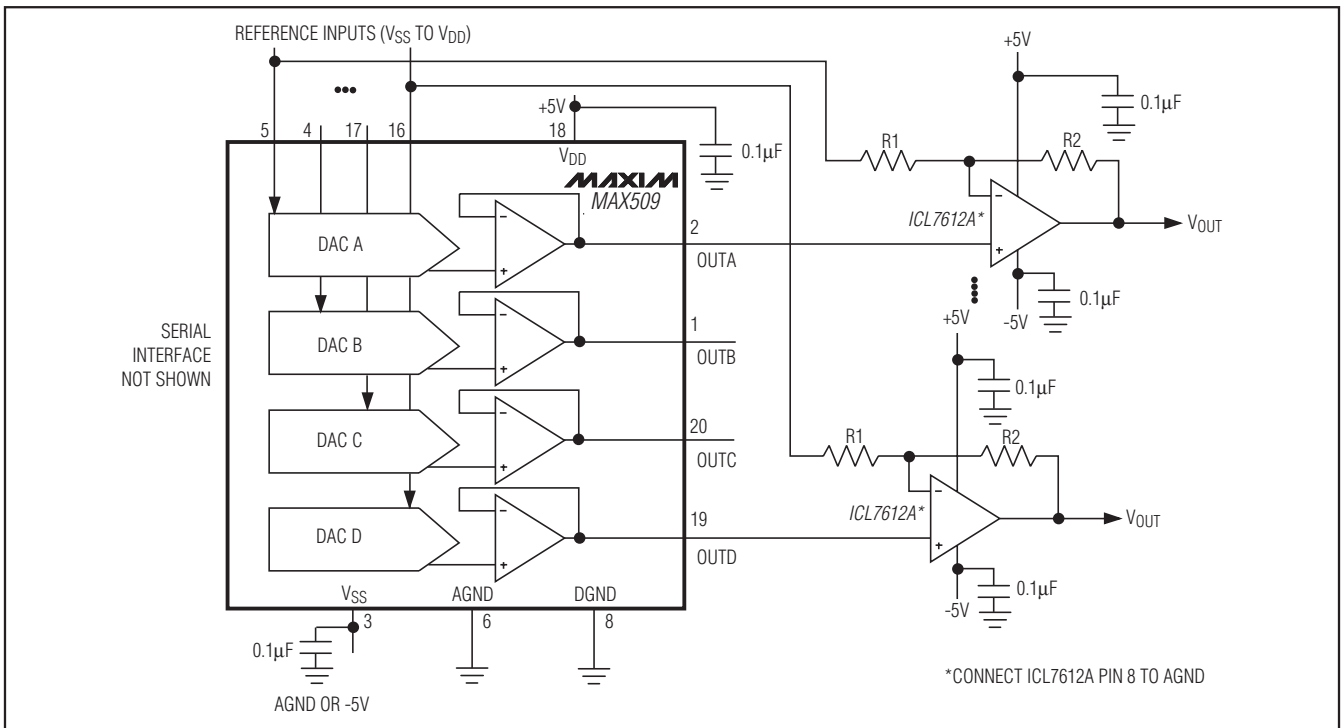


Figure 16. MAX509 Bipolar Output Circuit

# Quad, Serial 8-Bit DACs with Rail-to-Rail Outputs

**MAX509/MAX510**

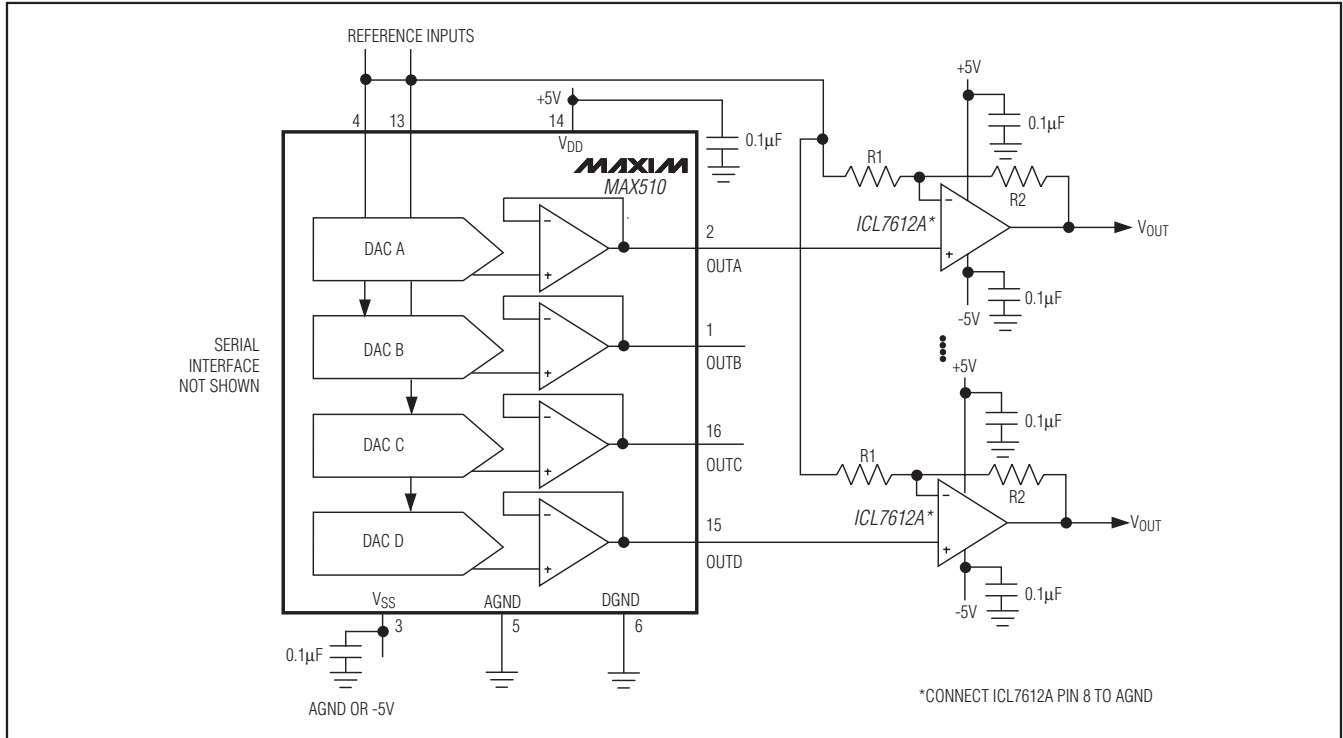
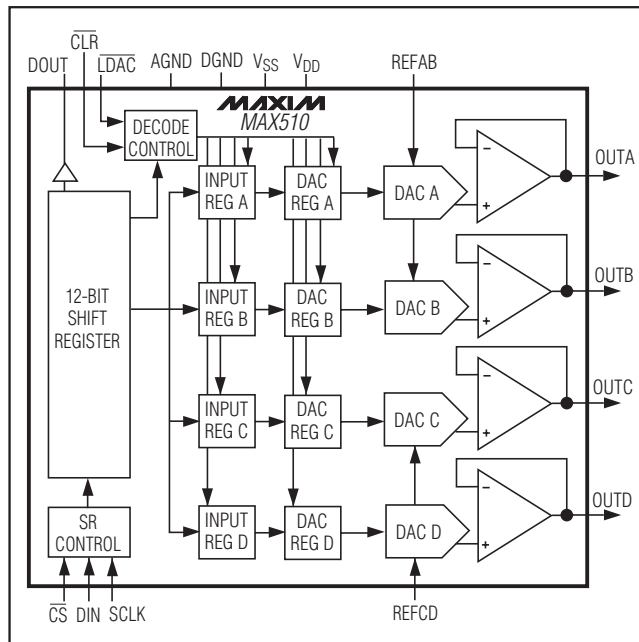
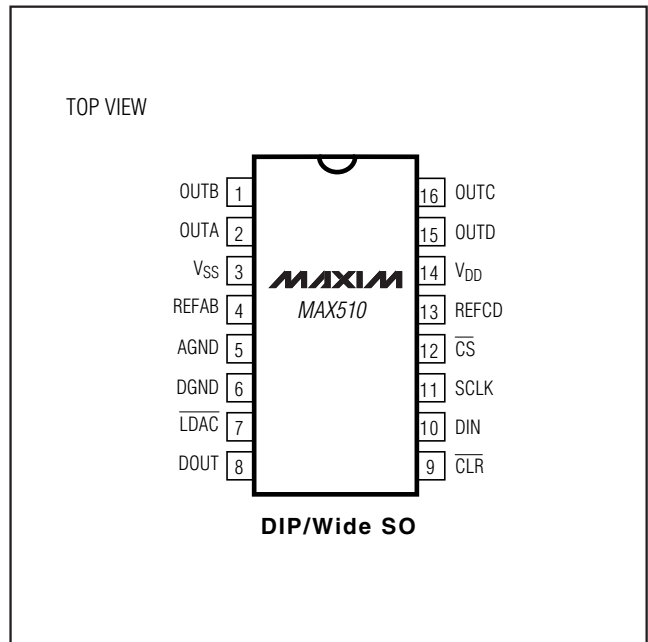


Figure 17. MAX510 Bipolar Output Circuit

## Functional Diagrams (continued)



## Pin Configurations (continued)



# Quad, Serial 8-Bit DACs with Rail-to-Rail Outputs

## Ordering Information (continued)

PART	TEMP RANGE	PIN-PACKAGE	TUE (LSB)
MAX509BCAP+	0°C to +70°C	20 SSOP	±1.5
MAX509AEPP+	-40°C to +85°C	20 PDIP	±1
MAX509BEPP+	-40°C to +85°C	20 PDIP	±1.5
MAX509AEMP+	-40°C to +85°C	20 Wide SO	±1
MAX509BEWP+	-40°C to +85°C	20 Wide SO	±1.5
MAX509AEAP+	-40°C to +85°C	20 SSOP	±1
MAX509BEAP+	-40°C to +85°C	20 SSOP	±1.5
MAX509AMJP	-55°C to +125°C	20 Cerdip**	±1
MAX509BMJP	-55°C to +125°C	20 Cerdip**	±1.5
MAX510ACPE+	0°C to +70°C	16 PDIP	±1
MAX510BCPE+	0°C to +70°C	16 PDIP	±1.5
MAX510ACWE+	0°C to +70°C	16 Wide SO	±1
MAX510BCWE+	0°C to +70°C	16 Wide SO	±1.5
MAX510AEPE+	-40°C to +85°C	16 PDIP	±1
MAX510BEPE+	-40°C to +85°C	16 PDIP	±1.5
MAX510AEWE+	-40°C to +85°C	16 Wide SO	±1
MAX510BEWE+	-40°C to +85°C	16 Wide SO	±1.5
MAX510AMJE	-55°C to +125°C	16 Cerdip**	±1
MAX510BMJE	-55°C to +125°C	16 Cerdip**	±1.5

\*\*Contact factory for availability and processing to MIL-STD-883.

+Denotes a lead(Pb)-free/RoHS-compliant package.

## Package Information

For the latest package outline information and land patterns, go to [www.maxim-ic.com/packages](http://www.maxim-ic.com/packages). Note that a "+", "#", or "-" in the package code indicates RoHS status only. Package drawings may show a different suffix character, but the drawing pertains to the package regardless of RoHS status.

PACKAGE TYPE	PACKAGE CODE	OUTLINE NO.	LAND PATTERN NO.
20 PDIP	P20+3	<a href="#">21-0043</a>	—
20 Wide SO	W20+3	<a href="#">21-0042</a>	<a href="#">90-0108</a>
20 SSOP	A20A+1	<a href="#">21-0056</a>	<a href="#">90-0094</a>
20 Cerdip	J20-2	<a href="#">21-0045</a>	—
16 PDIP	P16+2	<a href="#">21-0043</a>	—
16 Wide SO	W16+3	<a href="#">21-0042</a>	<a href="#">90-0107</a>
16 Cerdip	J16-3	<a href="#">21-0045</a>	—

# Quad, Serial 8-Bit DACs with Rail-to-Rail Outputs

## Revision History

REVISION NUMBER	REVISION DATE	DESCRIPTION	PAGES CHANGED
3	12/10	Updated Ordering Information, added soldering temperature to <i>Absolute Maximum Ratings</i> , updated Figure 17 and <i>Functional Diagrams</i>	1, 2, 19, 20

MAX509/MAX510

Maxim cannot assume responsibility for use of any circuitry other than circuitry entirely embodied in a Maxim product. No circuit patent licenses are implied. Maxim reserves the right to change the circuitry and specifications without notice at any time.

Maxim Integrated Products, 120 San Gabriel Drive, Sunnyvale, CA 94086 408-737-7600 \_\_\_\_\_ 21

# Quad, Serial 8-Bit DACs with Rail-to-Rail Outputs

## Ordering Information (continued)

PART	TEMP RANGE	PIN-PACKAGE	TUE (LSB)
MAX509BCAP+	0°C to +70°C	20 SSOP	±1.5
MAX509AEPP+	-40°C to +85°C	20 PDIP	±1
MAX509BEPP+	-40°C to +85°C	20 PDIP	±1.5
MAX509AEWP+	-40°C to +85°C	20 Wide SO	±1
MAX509BEWP+	-40°C to +85°C	20 Wide SO	±1.5
MAX509AEAP+	-40°C to +85°C	20 SSOP	±1
MAX509BEAP+	-40°C to +85°C	20 SSOP	±1.5
MAX509AMJP	-55°C to +125°C	20 Cerdip**	±1
MAX509BMJP	-55°C to +125°C	20 Cerdip**	±1.5
MAX510ACPE+	0°C to +70°C	16 PDIP	±1
MAX510BCPE+	0°C to +70°C	16 PDIP	±1.5
MAX510ACWE+	0°C to +70°C	16 Wide SO	±1
MAX510BCWE+	0°C to +70°C	16 Wide SO	±1.5
MAX510AEPE+	-40°C to +85°C	16 PDIP	±1
MAX510BEPE+	-40°C to +85°C	16 PDIP	±1.5
MAX510AEWE+	-40°C to +85°C	16 Wide SO	±1
MAX510BEWE+	-40°C to +85°C	16 Wide SO	±1.5
MAX510AMJE	-55°C to +125°C	16 Cerdip**	±1
MAX510BMJE	-55°C to +125°C	16 Cerdip**	±1.5

\*\*Contact factory for availability and processing to MIL-STD-883.

+Denotes a lead(Pb)-free/RoHS-compliant package.

## Package Information

For the latest package outline information and land patterns, go to [www.maxim-ic.com/packages](http://www.maxim-ic.com/packages). Note that a "+", "#", or "-" in the package code indicates RoHS status only. Package drawings may show a different suffix character, but the drawing pertains to the package regardless of RoHS status.

PACKAGE TYPE	PACKAGE CODE	OUTLINE NO.	LAND PATTERN NO.
20 PDIP	P20+3	<a href="#">21-0043</a>	—
20 Wide SO	W20+3	<a href="#">21-0042</a>	<a href="#">90-0108</a>
20 SSOP	A20A+1	<a href="#">21-0056</a>	<a href="#">90-0094</a>
20 Cerdip	J20-2	<a href="#">21-0045</a>	—
16 PDIP	P16+2	<a href="#">21-0043</a>	—
16 Wide SO	W16+3	<a href="#">21-0042</a>	<a href="#">90-0107</a>
16 Cerdip	J16-3	<a href="#">21-0045</a>	—

# Mouser Electronics

Authorized Distributor

Click to View Pricing, Inventory, Delivery & Lifecycle Information:

## Maxim Integrated:

[MAX509ACAP+T](#) [MAX509BCPP+](#) [MAX509BCWP+](#) [MAX510AEWE+](#) [MAX510BCPE+](#) [MAX510BCWE+](#)  
[MAX509ACAP+](#) [MAX509ACPP+](#) [MAX509ACWP+](#) [MAX509ACWP+T](#) [MAX509AEAP+](#) [MAX509AEAP+T](#)  
[MAX509AEPP+](#) [MAX509AEWP+](#) [MAX509AEWP+T](#) [MAX509BCAP+](#) [MAX509BCAP+T](#) [MAX509BCWP+T](#)  
[MAX509BEAP+](#) [MAX509BEPP+](#) [MAX509BEWP+](#) [MAX509BEWP+T](#) [MAX510ACPE+](#) [MAX510ACWE+](#)  
[MAX510ACWE+T](#) [MAX510AEPE+](#) [MAX510AEWE+T](#) [MAX510BCWE](#) [MAX510BCWE+T](#) [MAX510BEPE+](#)  
[MAX510BEWE+](#) [MAX510BEWE+T](#) [MAX509BEAP+T](#) [MAX510BCWE-T](#)