

**Absolute Maximum Ratings**

V <sub>CC</sub> .....	-0.3V to +15.5V	Rate of Rise, V <sub>CC</sub> .....	100V/μs
Voltage (with respect to GND) at RESET, RESET, HYST, CTL, SENSE .....	-0.3V to V <sub>CC</sub>	Power Dissipation, Any Package .....	380mW
Operating Temperature Range		Storage Temperature Range .....	-55°C to +150°C
C Suffix .....	0°C to +70°C	Lead Temperature (soldering, 10s) .....	+300°C
E Suffix .....	-40°C to +85°C		

Stresses beyond those listed under "Absolute Maximum Ratings" may cause permanent damage to the device. These are stress ratings only, and functional operation of the device at these or any other conditions beyond those indicated in the operational sections of the specifications is not implied. Exposure to absolute maximum rating conditions for extended periods may affect device reliability.

**Electrical Characteristics**

(V<sub>CC</sub> = +5V, CTL = GND on MAX700, T<sub>A</sub> = +25°C, unless otherwise noted.)

PARAMETER	CONDITIONS	MIN	TYP	MAX	UNITS	
V <sub>CC</sub> Monitor Voltage Range (MAX700 Only)	T <sub>A</sub> = T <sub>MIN</sub> to T <sub>MAX</sub> , CTL = V <sub>CC</sub>	3		15	V	
Min V <sub>CC</sub> for Valid Reset Output, Declining Supply	T <sub>A</sub> = T <sub>MIN</sub> to T <sub>MAX</sub> , V <sub>RESET</sub> ≤ 0.4V when sinking 1mA	1.5	1		V	
Supply Current			100	200	μA	
Reset Threshold	T <sub>A</sub> = T <sub>MIN</sub> to T <sub>MAX</sub>	Power-up	4.50	4.65	4.75	V
		Power-down	4.50	4.62	4.75	
Internal Hysteresis	HYST not connected		30		mV	
Reset Output Pulse Width		200	350	500	ms	
RESET Fall Time	MAX700/MAX701 only, C <sub>LOAD</sub> = 100pF		200		ns	
V <sub>CC</sub> Pulse Duration Guaranteeing	5V to 4V V <sub>CC</sub> pulse	No reset		10	1	μs
		Reset	100	10		
MR Input Threshold			0.7		V	
MR Pullup Current			-5	-30	μA	
<b>MAX700</b>						
RESET Output Low	I <sub>SINK</sub> = 3.2mA, V <sub>CC</sub> = 5V			0.4	V	
	I <sub>SINK</sub> = 1.6mA, V <sub>CC</sub> = 3V			0.4		
RESET Output High	I <sub>SOURCE</sub> = 3.2mA, V <sub>CC</sub> = 4.25V	V <sub>CC</sub> - 0.4			V	
	I <sub>SOURCE</sub> = 1.6mA, V <sub>CC</sub> = 3V	V <sub>CC</sub> - 0.4				
	I <sub>SOURCE</sub> = 0.5mA, V <sub>CC</sub> = 1.5V	V <sub>CC</sub> - 0.4				
RESET Output Low	I <sub>SINK</sub> = 16mA, V <sub>CC</sub> = 4.25V			0.4	V	
	I <sub>SINK</sub> = 1.6mA, V <sub>CC</sub> = 3V			0.4		
	I <sub>SINK</sub> = 0.4mA, V <sub>CC</sub> = 1.5V			0.4		
RESET Output High	I <sub>SOURCE</sub> = 3.2mA, V <sub>CC</sub> = 5V	V <sub>CC</sub> - 0.4			V	
	I <sub>SOURCE</sub> = 1.6mA, V <sub>CC</sub> = 3V	V <sub>CC</sub> - 0.4				

**Electrical Characteristics (continued)**(V<sub>CC</sub> = +5V, CTL = GND on MAX700, T<sub>A</sub> = +25°C, unless otherwise noted.)

PARAMETER	CONDITIONS	MIN	TYP	MAX	UNITS
<b>MAX701</b>					
RESET Output Low	I <sub>SINK</sub> = 16mA, V <sub>CC</sub> = 5V			0.4	V
RESET Output High	I <sub>SOURCE</sub> = 3.2mA, V <sub>CC</sub> = 4.25V	V <sub>CC</sub> - 0.4			V
	I <sub>SOURCE</sub> = 1.6mA, V <sub>CC</sub> = 3V	V <sub>CC</sub> - 0.4			
	I <sub>SOURCE</sub> = 0.5mA, V <sub>CC</sub> = 1.5V	V <sub>CC</sub> - 0.4			
RESE $\bar{T}$ Output Low	I <sub>SINK</sub> = 3.2mA, V <sub>CC</sub> = 4.25V			0.4	V
	I <sub>SINK</sub> = 1.6mA, V <sub>CC</sub> = 3V			0.4	
	I <sub>SINK</sub> = 0.4mA, V <sub>CC</sub> = 1.5V			0.4	
RESE $\bar{T}$ Output High	I <sub>SOURCE</sub> = 3.2mA, V <sub>CC</sub> = 5V	V <sub>CC</sub> - 0.4			V
<b>MAX702</b>					
RESE $\bar{T}$ Output Low	I <sub>SINK</sub> = 3.2mA, V <sub>CC</sub> = 4.25V			0.4	V
	I <sub>SINK</sub> = 1.6mA, V <sub>CC</sub> = 3V			0.4	
	I <sub>SINK</sub> = 0.4mA, V <sub>CC</sub> = 1.5V			0.4	
RESE $\bar{T}$ Output High	I <sub>SOURCE</sub> = 3.2mA, V <sub>CC</sub> = 5V	V <sub>CC</sub> - 0.4			V
<b>MAX700 ONLY (CTL = V<sub>CC</sub>, unless otherwise noted)</b>					
SENSE Input Threshold	T <sub>A</sub> = T <sub>MIN</sub> to T <sub>MAX</sub>	1.25	1.29	1.35	V
SENSE Input Current			0.1		nA
HYST Input On-Resistance			0.5		kΩ
CTL Input Threshold			2		V
CTL Pulldown Current			30	100	μA

## Pin Description

PIN			NAME	FUNCTION
MAX700	MAX701	MAX702		
1	1	1	MR	Input for Manual Pushbutton Reset. Has internal 5 $\mu$ A pullup. Low input activates the RESET/RESET outputs.
2	—	—	SENSE	The voltage-sense input when CTL = V <sub>CC</sub> . Its threshold is 1.29V. SENSE always remains connected to the internal comparator. So, when V <sub>CC</sub> is being monitored internally (CTL = GND), SENSE should be left open circuit.
3	—	—	HYST	Normally NOT used when voltage is monitored through V <sub>CC</sub> (CTL = GND). When monitoring through SENSE (CTL = V <sub>CC</sub> ), HYST allows hysteresis to be added, reducing noise and spurious reset activity (Figure 3). HYST turns on 5 $\mu$ s before the RESET/RESET outputs are activated, and its on-resistance to GND is typically 1k $\Omega$ .
4	4	3	GND	Ground
5	6	7	RESET	Goes low when V <sub>CC</sub> falls below 4.65V, or when CTL = V <sub>CC</sub> on the MAX700 goes low when SENSE falls below 1.29V.
6	5	—	RESET	Inverted Version of RESET
7	—	—	CTL	When CTL = GND, V <sub>CC</sub> is monitored by the reset circuit. When CTL = V <sub>CC</sub> , V <sub>CC</sub> is ignored and SENSE is monitored, allowing the threshold to be set with external resistors.
8	8	2	V <sub>CC</sub>	Chip Power and +5V Sensing Input (When CTL = GND on MAX700)
—	2, 3, 7	4, 5, 6, 8	N.C.	No Connection

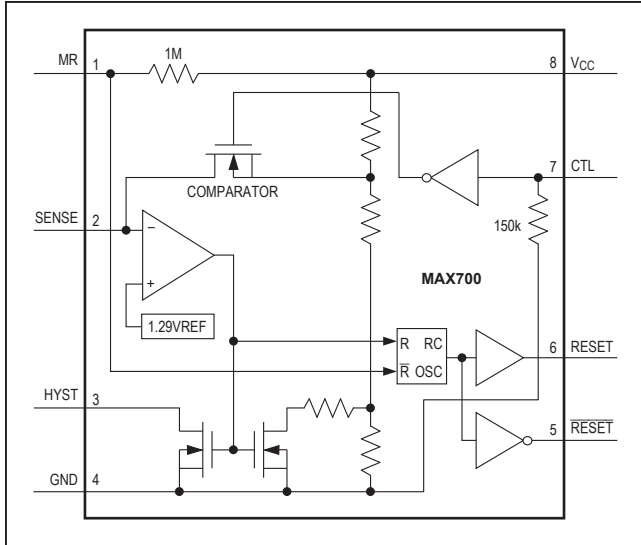


Figure 1. MAX700 Block Diagram

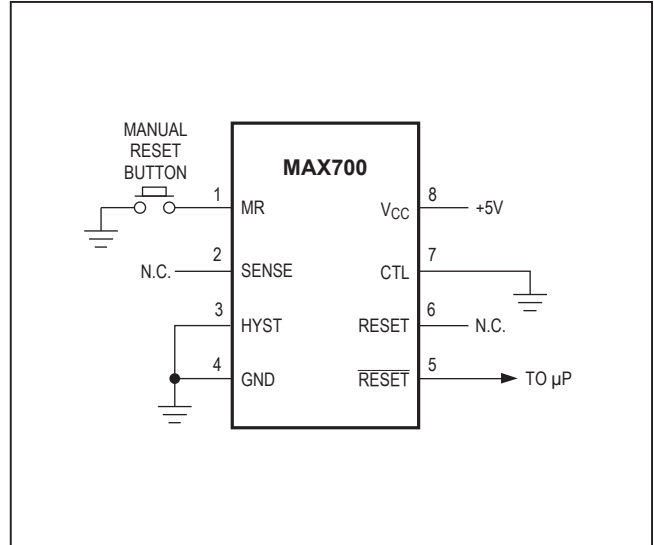


Figure 2. MAX700 Typical Connection Diagram

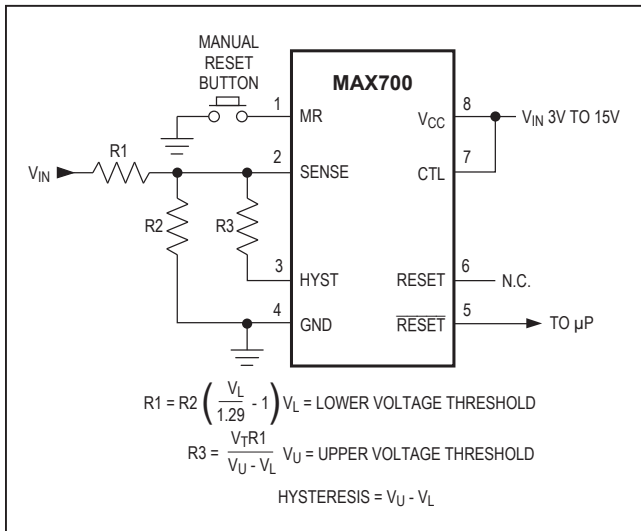


Figure 3. MAX700 Connected for External Senses and Hysteresis

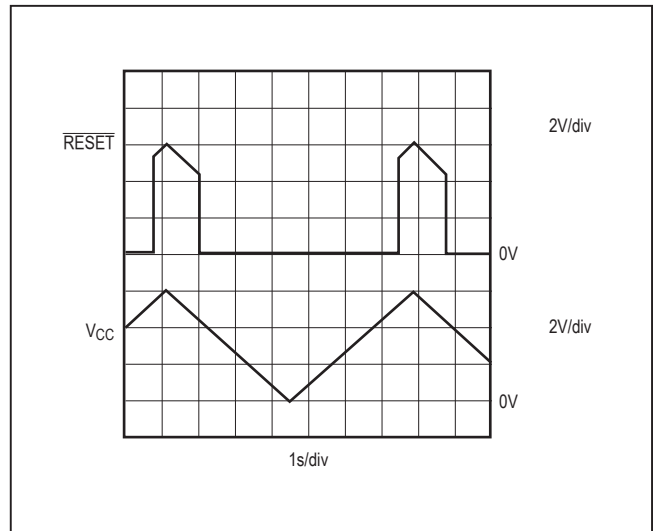


Figure 4. Typical MAX700/MAX701/MAX702 RESET Output vs. VCC

Figure 4 shows the  $\overline{\text{RESET}}$  output of the MAX700/MAX701/MAX702 in the correct state for VCC voltages down to 0V. Note the effect of the built-in hysteresis on the trigger level of  $\overline{\text{RESET}}$ .

### Package Information

For the latest package outline information and land patterns (footprints), go to [www.maximintegrated.com/packages](http://www.maximintegrated.com/packages). Note that a “+”, “#”, or “-” in the package code indicates RoHS status only. Package drawings may show a different suffix character, but the drawing pertains to the package regardless of RoHS status.

PACKAGE TYPE	PACKAGE CODE	OUTLINE NO.	LAND PATTERN NO.
8 PDIP	P8+2	<a href="#">21-0143</a>	—
8 Narrow SO	S8+4	<a href="#">21-0041</a>	<a href="#">90-0096</a>

## Revision History

REVISION NUMBER	REVISION DATE	DESCRIPTION	PAGES CHANGED
0	3/90	Initial release	—
1	11/05	Added lead-free information to the <i>Ordering Information</i> table.	1
2	12/07	Updated <i>Pin Description</i> table.	4
3	5/14	No <i>I</i> V OPNs; removed automotive reference from <i>Applications</i> section	1

For pricing, delivery, and ordering information, please contact Maxim Direct at 1-888-629-4642, or visit Maxim Integrated's website at [www.maximintegrated.com](http://www.maximintegrated.com).

Maxim Integrated cannot assume responsibility for use of any circuitry other than circuitry entirely embodied in a Maxim Integrated product. No circuit patent licenses are implied. Maxim Integrated reserves the right to change the circuitry and specifications without notice at any time. The parametric values (min and max limits) shown in the Electrical Characteristics table are guaranteed. Other parametric values quoted in this data sheet are provided for guidance.

# Mouser Electronics

Authorized Distributor

Click to View Pricing, Inventory, Delivery & Lifecycle Information:

## Maxim Integrated:

[MAX700CPA+](#) [MAX700CSA+](#) [MAX700ESA+](#) [MAX701CPA+](#) [MAX701CSA+](#) [MAX701EPA+](#) [MAX701ESA+](#)  
[MAX702CSA+](#) [MAX700CSA+T](#) [MAX700EPA+](#) [MAX700ESA+T](#) [MAX701CSA+T](#) [MAX701ESA+T](#) [MAX702CPA+](#)  
[MAX702CSA+T](#) [MAX702EPA+](#) [MAX702ESA+](#) [MAX702ESA+T](#)