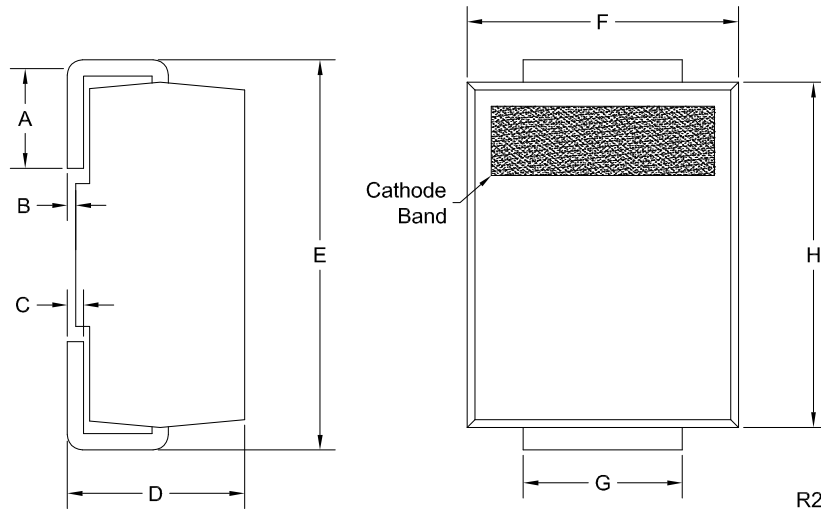


CMSH1-20 CMSH1-60
 CMSH1-40 CMSH1-100

**SURFACE MOUNT SILICON
 SCHOTTKY RECTIFIERS
 1.0 AMP, 20 THRU 100 VOLT**



SMB CASE - MECHANICAL OUTLINE



| DEVICE | MARKING CODE |
|-----------|--------------|
| CMSH1-20 | CS20 |
| CMSH1-40 | CS40 |
| CMSH1-60 | CS60 |
| CMSH1-100 | CS100 |

| SYMBOL | INCHES | | MILLIMETERS | |
|--------|--------|-------|-------------|------|
| | MIN | MAX | MIN | MAX |
| A | 0.030 | 0.060 | 0.76 | 1.52 |
| B | 0.000 | 0.008 | 0.00 | 0.20 |
| C | 0.006 | 0.012 | 0.15 | 0.30 |
| D | 0.086 | 0.096 | 2.18 | 2.44 |
| E | 0.200 | 0.220 | 5.08 | 5.59 |
| F | 0.130 | 0.150 | 3.30 | 3.81 |
| G | 0.077 | 0.083 | 1.96 | 2.11 |
| H | 0.160 | 0.191 | 4.06 | 4.85 |

SMB (REV: R2)

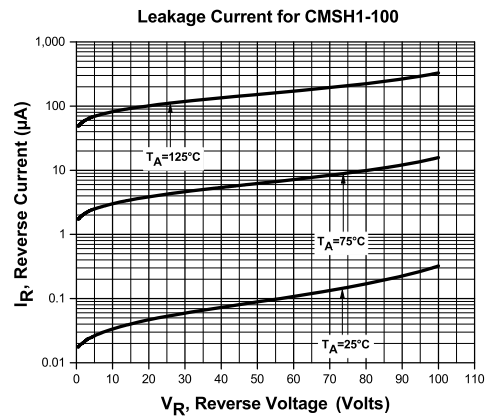
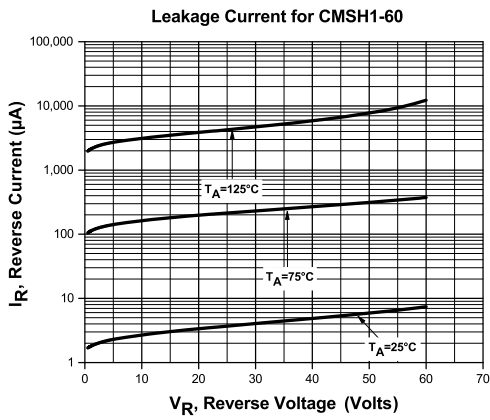
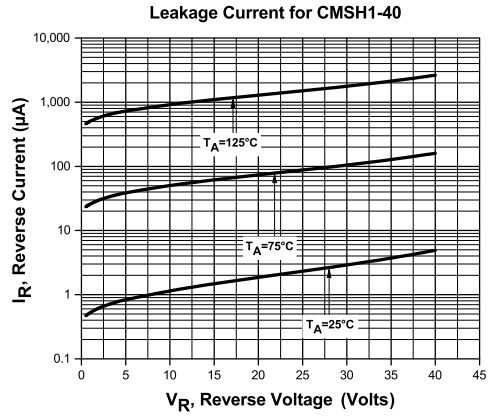
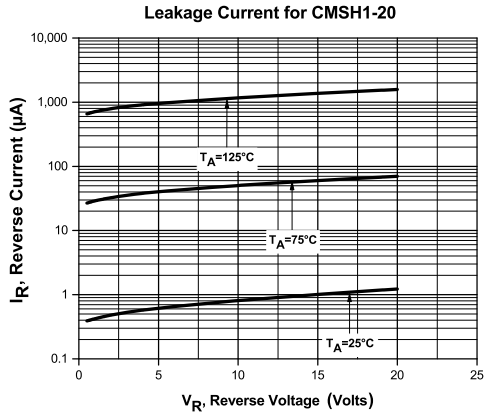
R5 (6-September 2018)

CMSH1-20 CMSH1-60
 CMSH1-40 CMSH1-100

SURFACE MOUNT SILICON
 SCHOTTKY RECTIFIERS
 1.0 AMP, 20 THRU 100 VOLT



TYPICAL ELECTRICAL CHARACTERISTICS



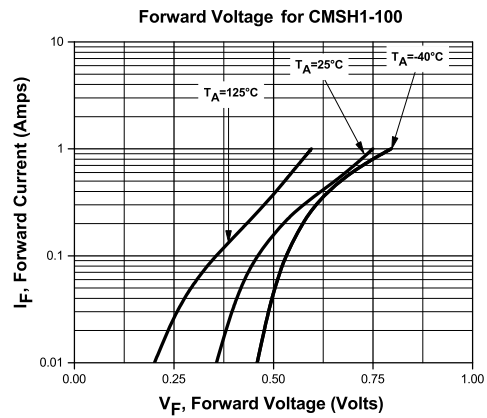
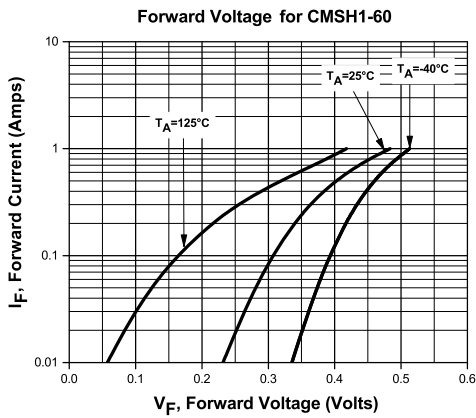
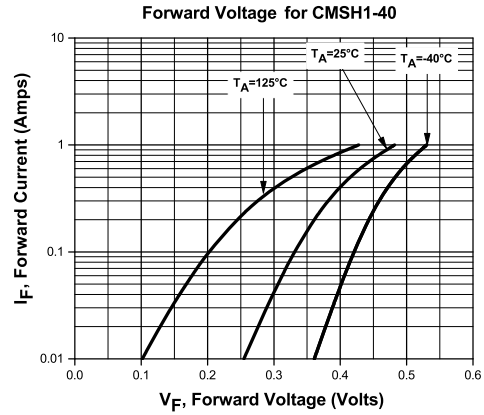
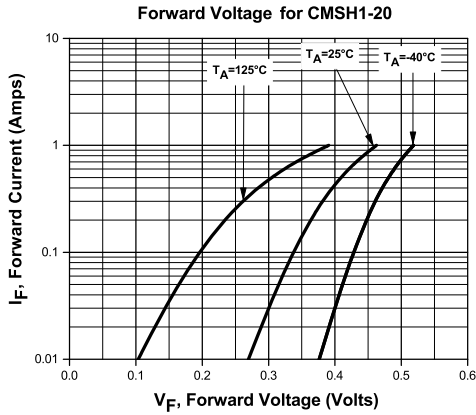
R5 (6-September 2018)

CMSH1-20 CMSH1-60
 CMSH1-40 CMSH1-100

**SURFACE MOUNT SILICON
 SCHOTTKY RECTIFIERS
 1.0 AMP, 20 THRU 100 VOLT**



TYPICAL ELECTRICAL CHARACTERISTICS



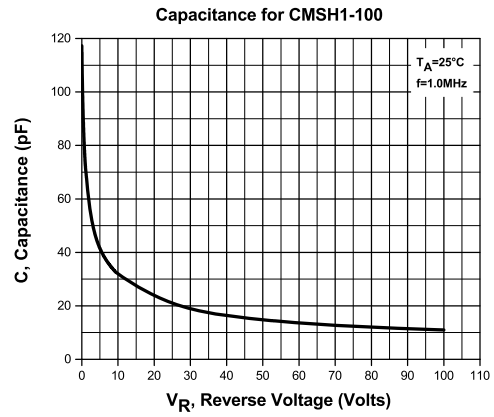
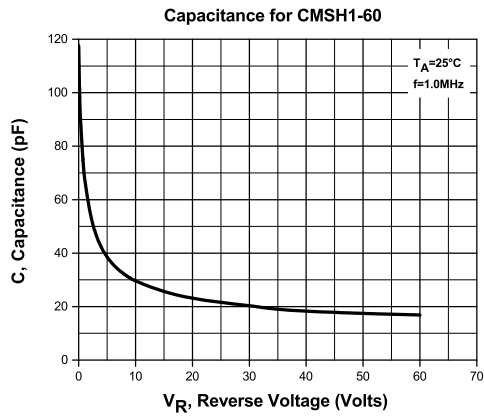
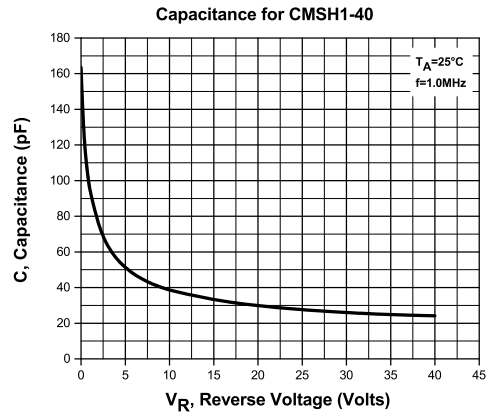
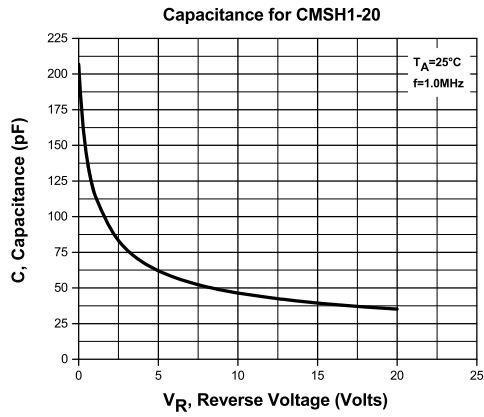
R5 (6-September 2018)

CMSH1-20 CMSH1-60
CMSH1-40 CMSH1-100

**SURFACE MOUNT SILICON
SCHOTTKY RECTIFIERS
1.0 AMP, 20 THRU 100 VOLT**



TYPICAL ELECTRICAL CHARACTERISTICS



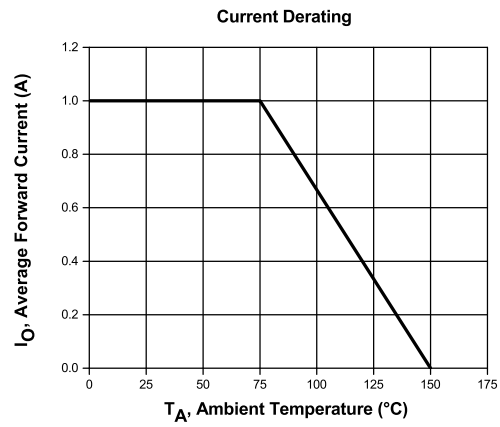
R5 (6-September 2018)

CMSH1-20 CMSH1-60
CMSH1-40 CMSH1-100

SURFACE MOUNT SILICON
SCHOTTKY RECTIFIERS
1.0 AMP, 20 THRU 100 VOLT



TYPICAL ELECTRICAL CHARACTERISTICS



R5 (6-September 2018)

OUTSTANDING SUPPORT AND SUPERIOR SERVICES



PRODUCT SUPPORT

Central's operations team provides the highest level of support to insure product is delivered on-time.

- Supply management (Customer portals)
- Inventory bonding
- Consolidated shipping options
- Custom bar coding for shipments
- Custom product packing

DESIGNER SUPPORT/SERVICES

Central's applications engineering team is ready to discuss your design challenges. Just ask.

- Free quick ship samples (2nd day air)
- Online technical data and parametric search
- SPICE models
- Custom electrical curves
- Environmental regulation compliance
- Customer specific screening
- Up-screening capabilities
- Special wafer diffusions
- PbSn plating options
- Package details
- Application notes
- Application and design sample kits
- Custom product and package development

REQUESTING PRODUCT PLATING

1. If requesting Tin/Lead plated devices, add the suffix " TIN/LEAD" to the part number when ordering (example: 2N2222A TIN/LEAD).
2. If requesting Lead (Pb) Free plated devices, add the suffix " PBFREE" to the part number when ordering (example: 2N2222A PBFREE).

CONTACT US

Corporate Headquarters & Customer Support Team

Central Semiconductor Corp.
145 Adams Avenue
Hauppauge, NY 11788 USA
Main Tel: (631) 435-1110
Main Fax: (631) 435-1824
Support Team Fax: (631) 435-3388
www.centrasemi.com

Worldwide Field Representatives:
www.centrasemi.com/wwreps

Worldwide Distributors:
www.centrasemi.com/wwdistributors

For the latest version of Central Semiconductor's **LIMITATIONS AND DAMAGES DISCLAIMER**, which is part of Central's Standard Terms and Conditions of sale, visit: www.centrasemi.com/terms