

## Rating and Characteristic Curves (SS54BF-HF Thru. SS520BF-HF)

Fig.1 - Forward Current Derating Curve

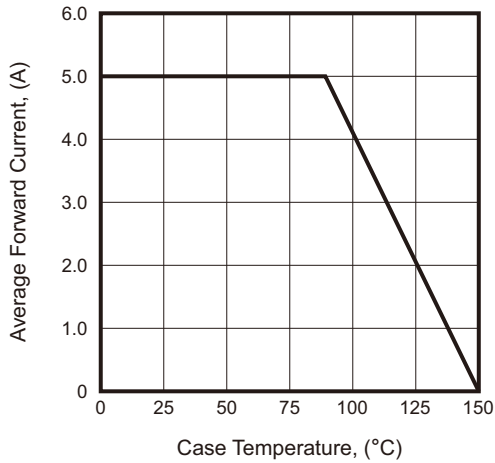


Fig.2 - Typical Reverse Characteristics

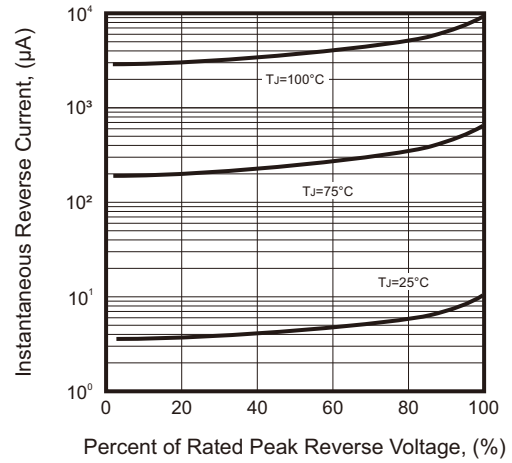


Fig.3 - Typical Forward Characteristic

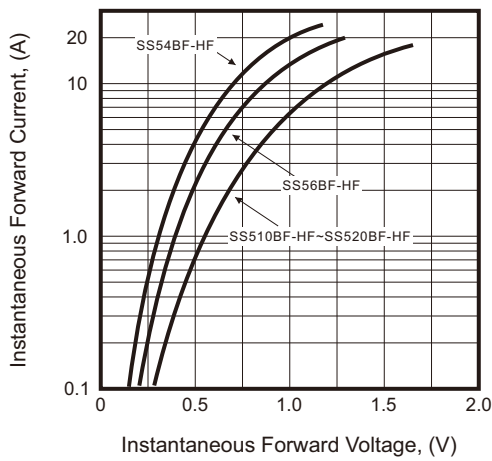


Fig.4 - Typical Junction Capacitance

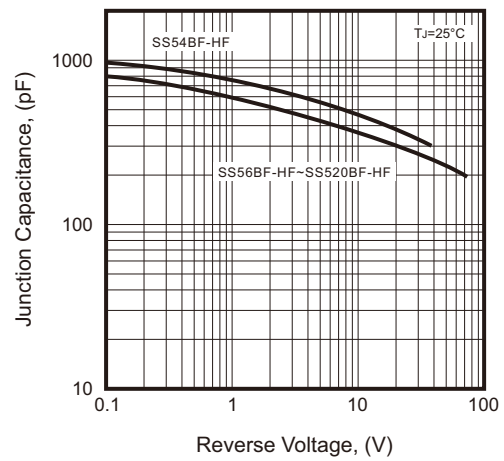


Fig.5 - Maximum Non-Repetitive Peak Forward Surge Current

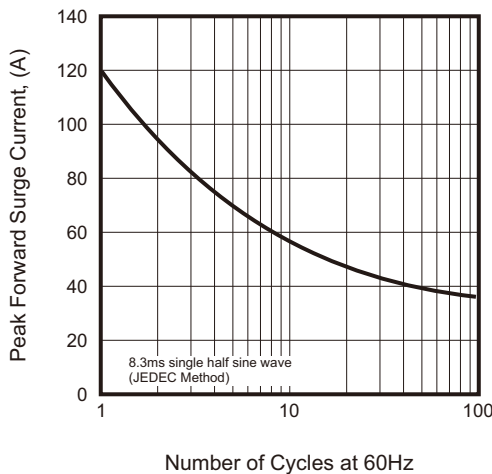
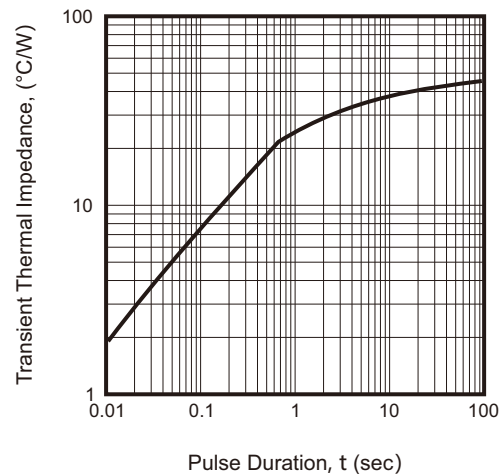
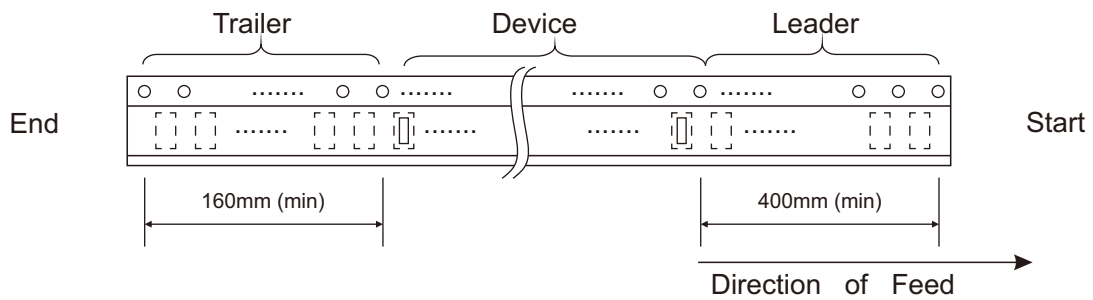
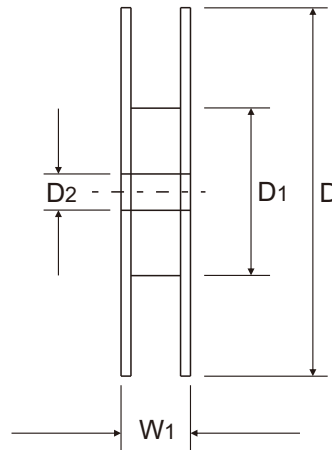
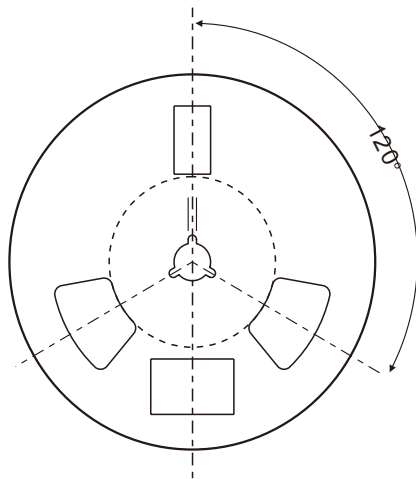
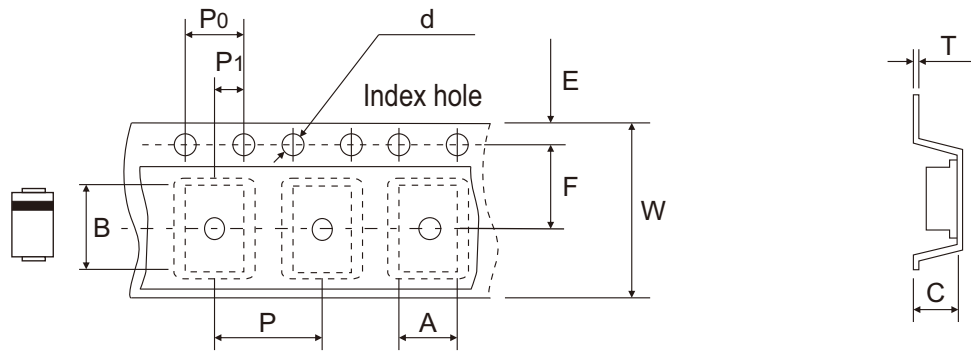


Fig.6 - Typical Transient Thermal Impedance



Company reserves the right to improve product design, functions and reliability without notice.

## Reel Taping Specification



SMBF	SYMBOL	A	B	C	d	D	D1	D2
	(mm)	3.80 ± 0.10	5.75 ± 0.10	1.40 ± 0.10	1.55 ± 0.05	330 ± 2.00	75 ± 1.00	13.00 ± 0.20
	(inch)	0.150 ± 0.004	0.226 ± 0.004	0.055 ± 0.004	0.061 ± 0.002	12.992 ± 0.079	2.953 ± 0.039	0.512 ± 0.008

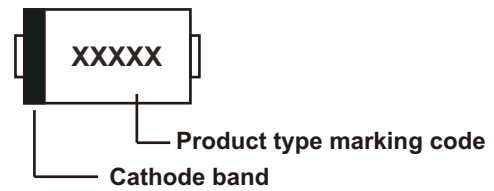
SMBF	SYMBOL	E	F	P	P0	P1	T	W	W1
	(mm)	1.75 ± 0.10	5.50 ± 0.10	8.00 ± 0.10	4.00 ± 0.10	2.00 ± 0.05	0.23 ± 0.02	12.00 ± 0.10	14.70 + 2.00 - 1.00
	(inch)	0.069 ± 0.004	0.217 ± 0.004	0.315 ± 0.004	0.157 ± 0.004	0.079 ± 0.002	0.009 ± 0.001	0.472 ± 0.004	0.579 + 0.079 - 0.039

Company reserves the right to improve product design, functions and reliability without notice.

REV:A

## Marking Code

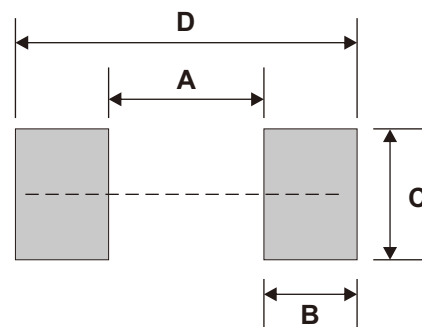
Part Number	Marking Code
SS54BF-HF	S54B
SS56BF-HF	S56B
SS510BF-HF	S510B
SS515BF-HF	S515B
SS520BF-HF	S520B



xxxx/xxxxx = Product type marking code

## Suggested PAD Layout

SIZE	SMBF	
	(mm)	(inch)
A	3.00	0.118
B	1.80	0.071
C	2.54	0.100
D	6.60	0.260



Note: 1. The pad layout is for reference purpose only.

## Standard Packaging

Case Type	REEL PACK	
	REEL ( pcs )	Reel Size (inch)
SMBF	5,000	13

# Mouser Electronics

Authorized Distributor

Click to View Pricing, Inventory, Delivery & Lifecycle Information:

[Comchip Technology:](#)

[SS515BF-HF](#) [SS54BF-HF](#) [SS510BF-HF](#) [SS56BF-HF](#) [SS520BF-HF](#)