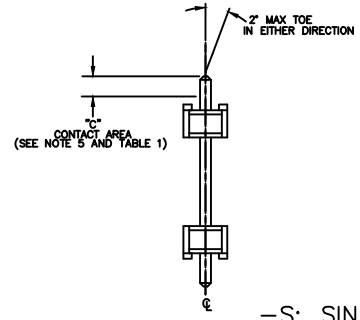
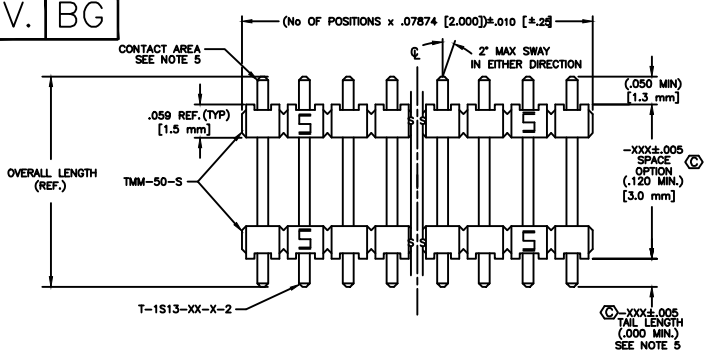


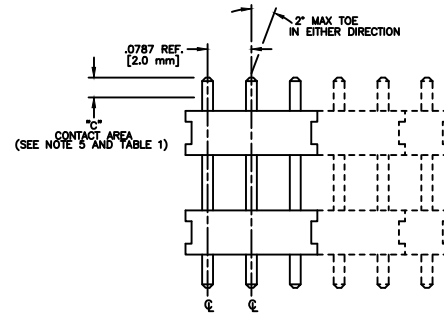
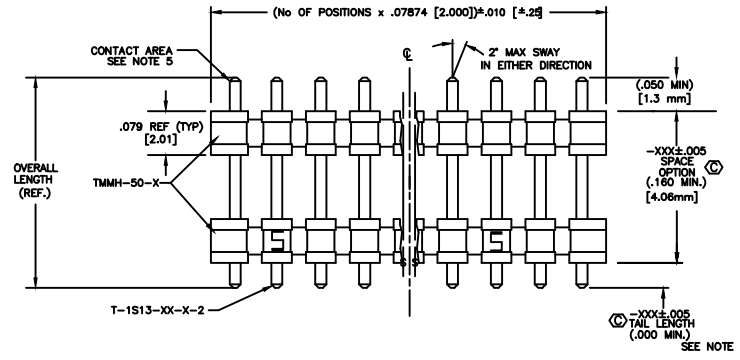
REV. BG

<small>DIMENSIONS ARE IN INCHES UNLESS OTHERWISE NOTED TELEGRAMS AND</small> ONE PLACE DECIMALS ± .1(2.54mm) THREE PLACE DECIMALS ± .005(.13mm) TWO PLACE DECIMALS ± .01(.25mm) FOUR PLACE DECIMALS ± .002(.05mm)	<small>ANGLES</small> ± 5°	TITLE: HIGH TEMP 2mm TERMINAL STRIP (BOARD STACKING)	<small>DWG NO:</small> TW-XX-XX-X-Y-XXX-XXX-XXX-XX <small>SHEET 2 OF 3</small>
---	-------------------------------	---	--

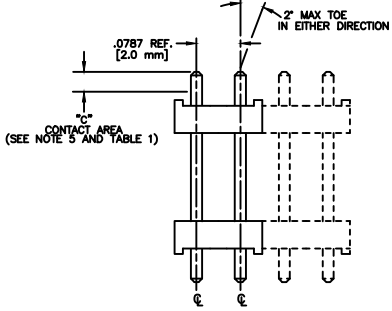
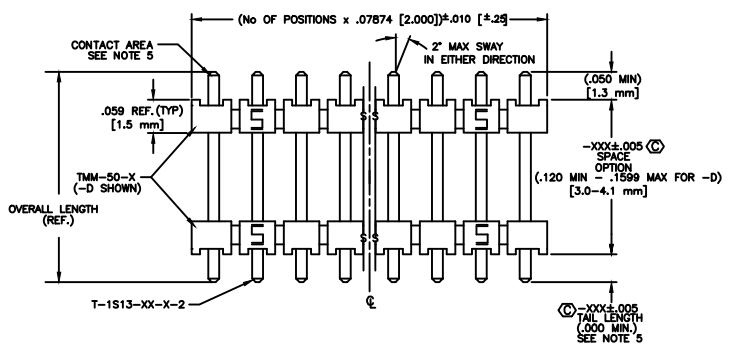


-S: SINGLES

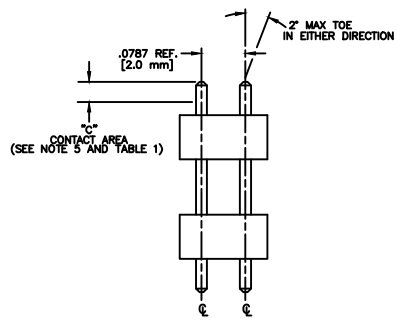
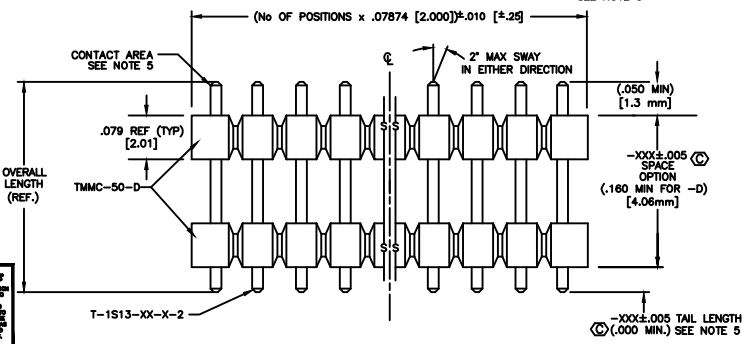
-T: TRIPLE  
 -5: FIVE ROW  
 -6: SIX ROW



-D: DOUBLE  
 -Q: QUAD



-D: DOUBLE



**PROPRIETARY NOTE**  
 THE INFORMATION CONTAINED HEREIN IS THE PROPERTY OF SAMTEC AND IS TO BE USED ONLY FOR THE SPECIFIC APPLICATION AND QUANTITY ORDERED. IT IS NOT TO BE REPRODUCED, COPIED, OR TRANSMITTED IN ANY FORM OR BY ANY MEANS, ELECTRONIC OR MECHANICAL, INCLUDING PHOTOCOPYING, RECORDING, OR BY ANY INFORMATION STORAGE AND RETRIEVAL SYSTEM, WITHOUT WRITTEN PERMISSION BY SAMTEC.

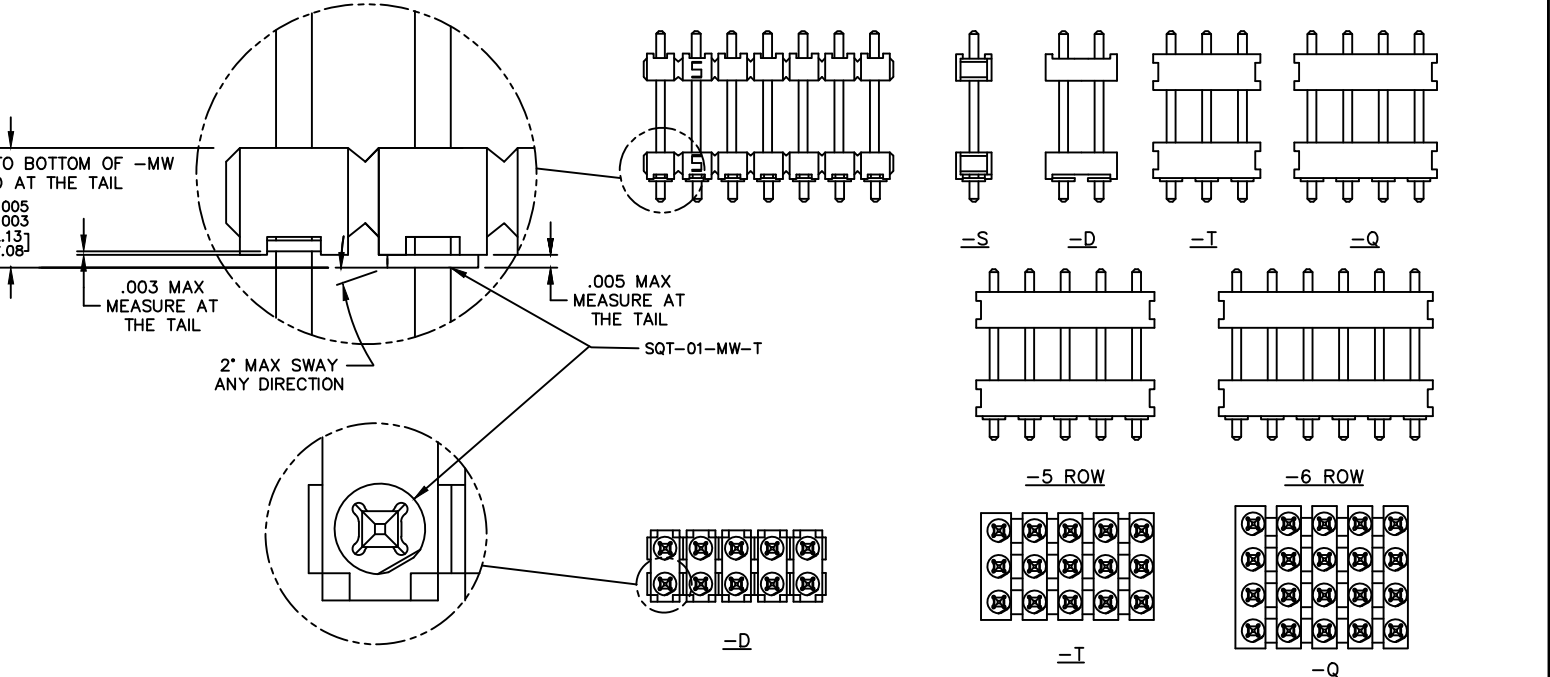
PLAT SCALE 1=11  
  
520 PARK EAST BLVD. NEW ALBANY, INDIANA 47150  
PHONE (812) 944-8733 F.O. BOX 1147  
CODE 55322  
MADE BY MATT CARTER 6-19-98  
EMSPROD/ASSEMBLY/2MM TW-ASM2  
TW-XX-XX-X-Y-XXX-XXX-XXX-XX  
SHEET 2 OF 3

FIG 2  
 -MW: METAL WASHER USING TMM BODY  
 (ONE PER POSITION)  
 (30 POS MAX)

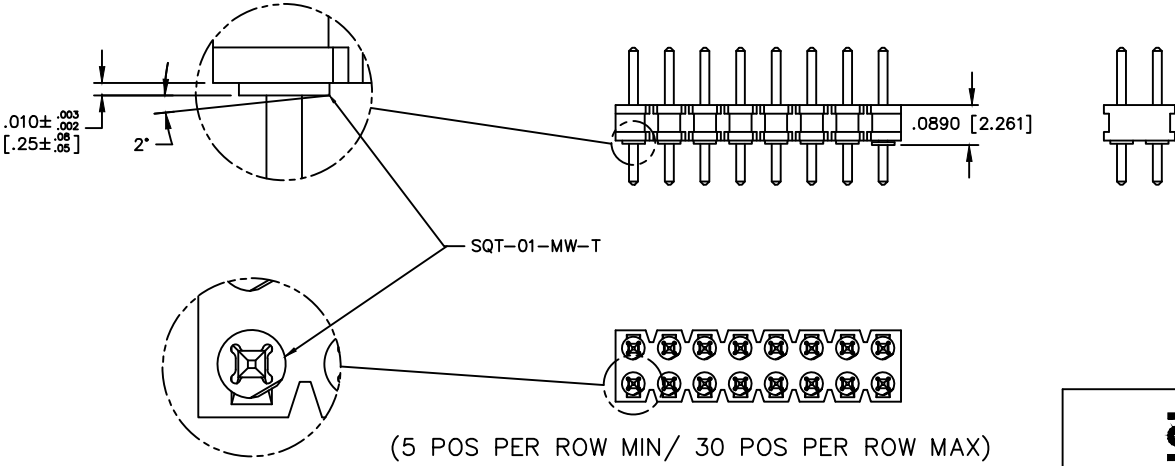
DIMENSIONS ARE IN INCHES		UNLESS OTHERWISE NOTED		TOLERANCES ARE:		ANGLES ± 2°	
ONE PLACE DECIMALS ±.1[2.5]	THREE PLACE DECIMALS ± .005 [.13]						
TWO PLACE DECIMALS ±.01[.25]	FOUR PLACE DECIMALS ±.0020[.05]						

TITLE: 2mm  
 TERMINAL STRIP  
 ASSEMBLY

DWG NO:  
 TW-XX-XX-X-X-XXX-XXX-XXX-XX  
 SHEET 3 OF 3



-MW METAL WASHERS USING TMMH OR TMMC BODY



**OPTION, DO NOT DESIGN IN. SAMTEC WILL  
 SUPPORT EXISTING BUSINESS 2/07/02.**

EXISPROD\ASSEMBLY\2MM  
 TW-ASM3

**samtec**

520 PARK EAST BLVD. NEW ALBANY, INDIANA 47150  
 PHONE (812) 944-6733 P.O. BOX 1147  
 CODE 55322

MADE BY:  
 REIDINGER 11-2-90

TW-XX-XX-X-X-XXX-XXX-XXX-XX  
 SHEET 3 OF 3