

Pin Configuration

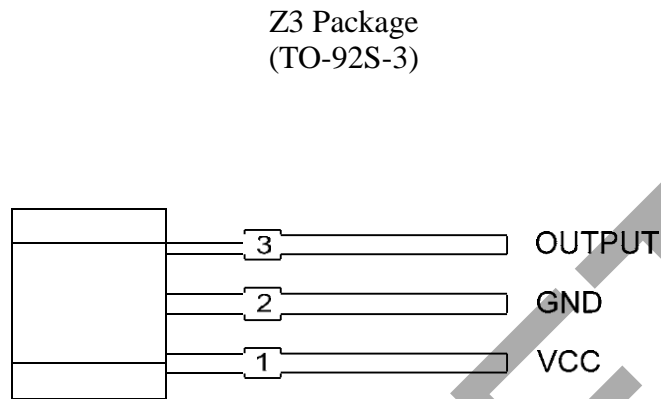


Figure 2. Pin Configuration of AH41 (Front View)

Pin Description

Pin Number	Pin Name	Function
1	VCC	Power supply pin
2	GND	Ground pin
3	OUTPUT	Output pin. It is low during the N magnetic field

Functional Block Diagram

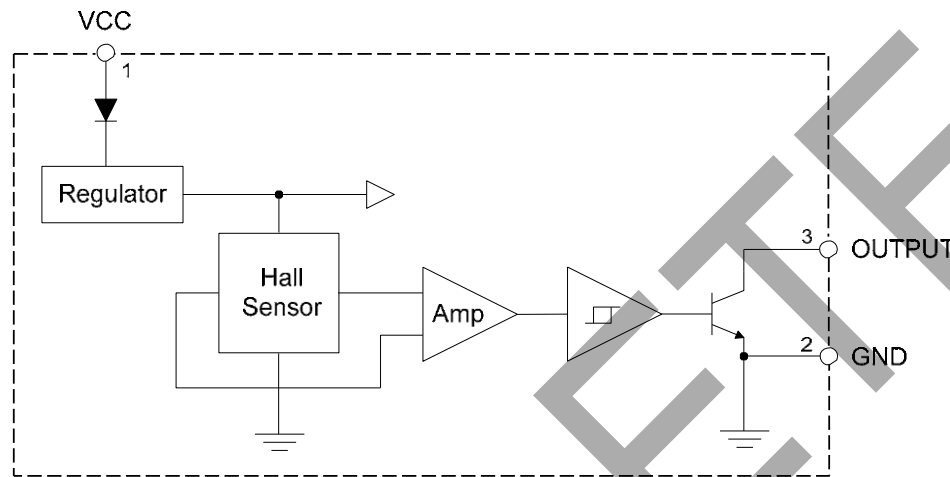
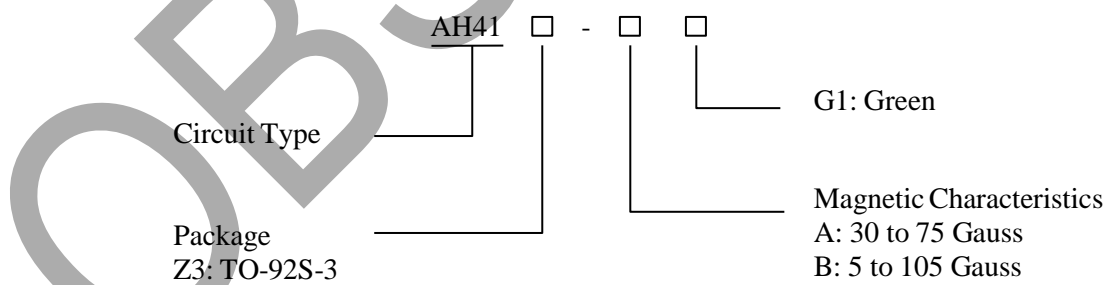


Figure 3. Functional Block Diagram of AH41

Ordering Information



Package	Temperature Range	Part Number	Marking ID	Packing Type
TO-92S-3	-40 to 150°C	AH41Z3-AG1	AH41	Bulk
		AH41Z3-BG1	AH41	Bulk

BCD Semiconductor's Pb-free products, as designated with "G1" suffix in the part number, are RoHS compliant and green.

BIPOLAR HALL-EFFECT POSITION SENSORS
AH41
Absolute Maximum Ratings (Note 1)

Parameter	Symbol	Value	Unit
Supply Voltage	V_{CC}	-24 to 28	V
Output OFF Voltage	V_{CE}	30	V
Output Sink Current (Continuous Current)	I_{OUT}	50	mA
Power Dissipation ($T_A=25^\circ\text{C}$)	P_D	400	mW
Storage Temperature	T_{STG}	-65 to 150	$^\circ\text{C}$
Junction Temperature	T_J	150	$^\circ\text{C}$
ESD (Machine Model)		300	V
ESD (Human Body Model)		2000	V

Note 1: Stresses greater than those listed under “Absolute Maximum Ratings” may cause permanent damage to the device. These are stress ratings only, and functional operation of the device at these or any other conditions beyond those indicated under “Recommended Operating Conditions” is not implied. Exposure to “Absolute Maximum Ratings” for extended periods may affect device reliability.

Recommended Operating Conditions ($T_A=25^\circ\text{C}$)

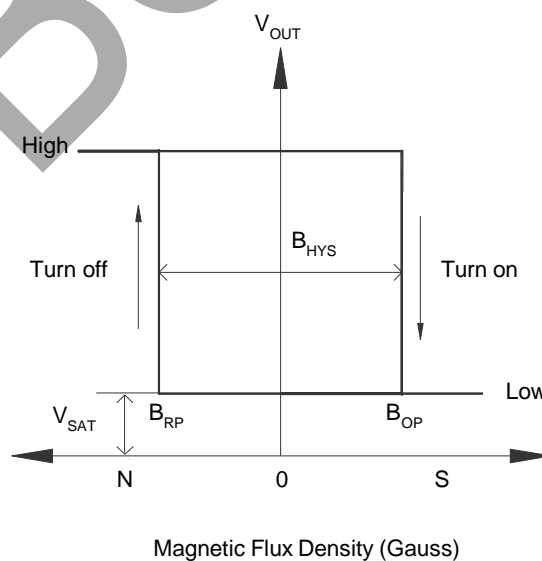
Parameter	Symbol	Min	Max	Unit
Supply Voltage	V_{CC}	4	24	V
Operating Temperature	T_{OP}	-40	150	$^\circ\text{C}$

BIPOLAR HALL-EFFECT POSITION SENSORS
AH41
Electrical Characteristics
 $V_{CC}=12V$, $T_A=25^\circ C$, unless otherwise specified.

Parameter	Symbol	Conditions	Min	Typ	Max	Unit
Supply Voltage	V_{CC}		4		24	V
Supply Current	I_{CC}	$V_{CC}=4V$ to $24V$		6	9	mA
Output Leakage Current	I_{OL}	$V_{CE}=14V$		0.1	10	μA
Output Saturation Voltage	V_{SAT}	$I_{OUT}=20mA$		110	300	mV
Rise Time	t_r	$R_L=820\Omega$ $C_L=20pF$		200		ns
Fall Time	t_f	$R_L=820\Omega$ $C_L=20pF$		100		ns

Magnetic Characteristics ($T_A=25^\circ C$)

Parameter	Symbol	Grade	Min	Typ	Max	Unit
Operating Point	B_{OP}	A	30		75	Gauss
		B	5		105	
Releasing Point	B_{RP}	A	-75		-30	Gauss
		B	-105		-5	
Hysteresis	B_{HYS}		80	110	140	Gauss



Test Circuit

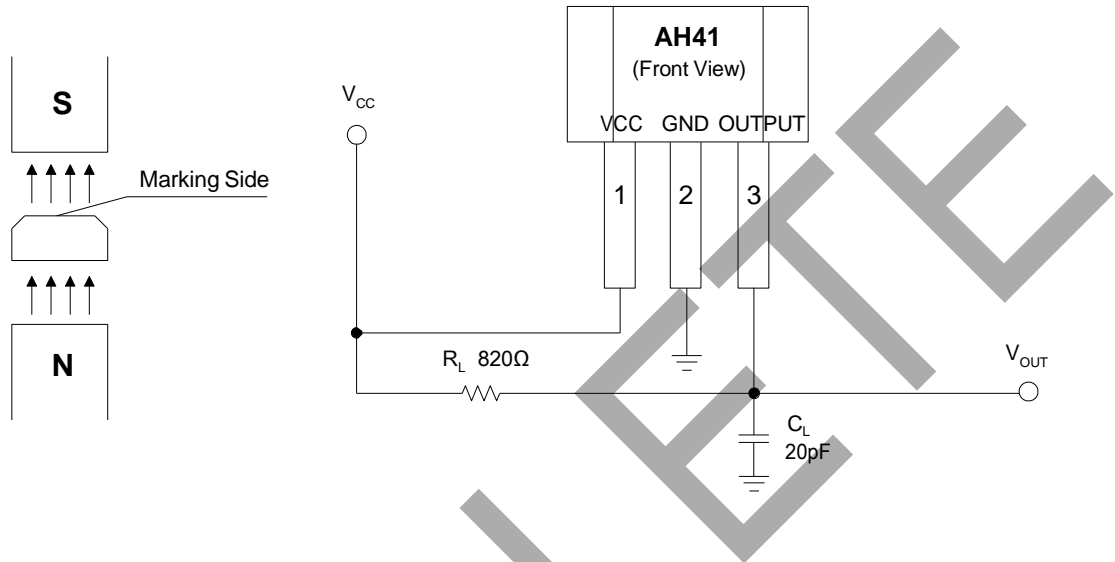


Figure 4. Basic Test Circuit of AH41

OBSOLETE - PART DISCONTINUED

Typical Performance Characteristics

OBSOLETE - PART DISCONTINUED

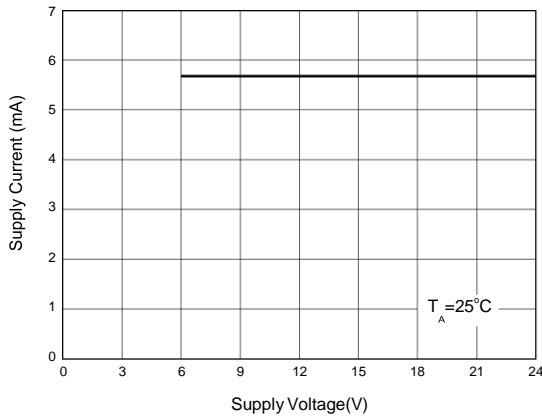


Figure 5. Supply Current vs. Supply Voltage

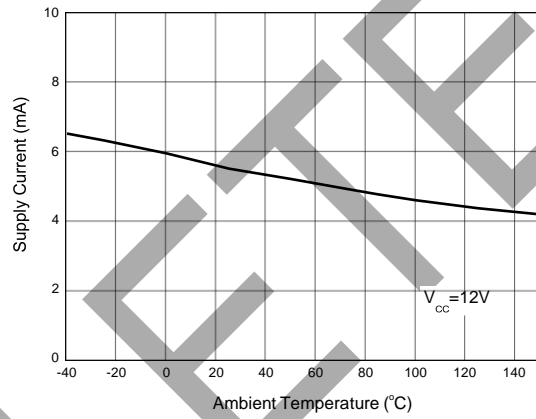


Figure 6. Supply Current vs. Ambient Temperature

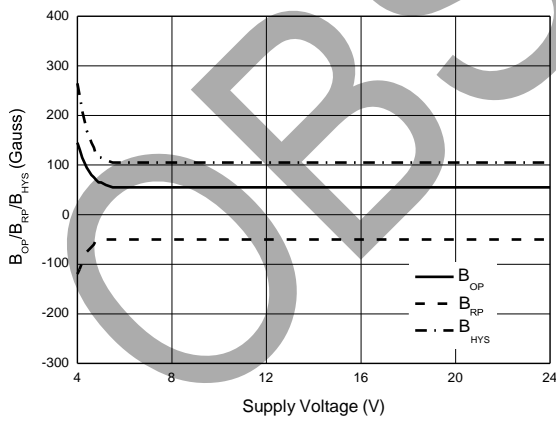


Figure 7. B_{OP}/B_{RP}/B_{HYS} vs. Supply Voltage

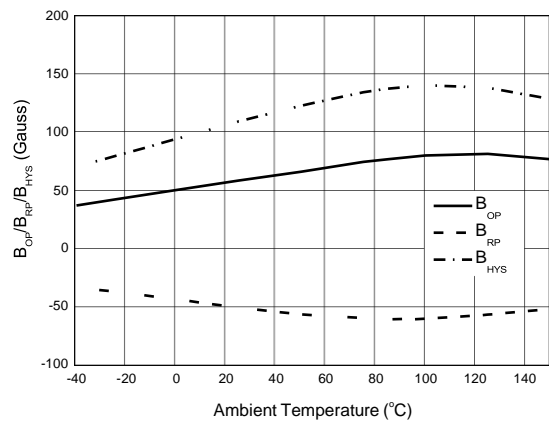


Figure 8. B_{OP}/B_{RP}/B_{HYS} vs. Ambient Temperature

Typical Performance Characteristics (Continued)

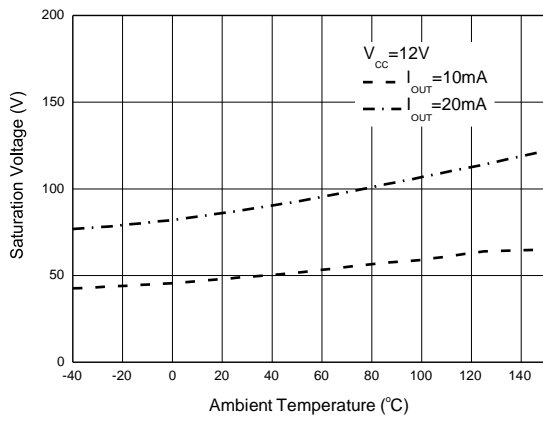


Figure 9. Saturation Voltage vs. Ambient Temperature

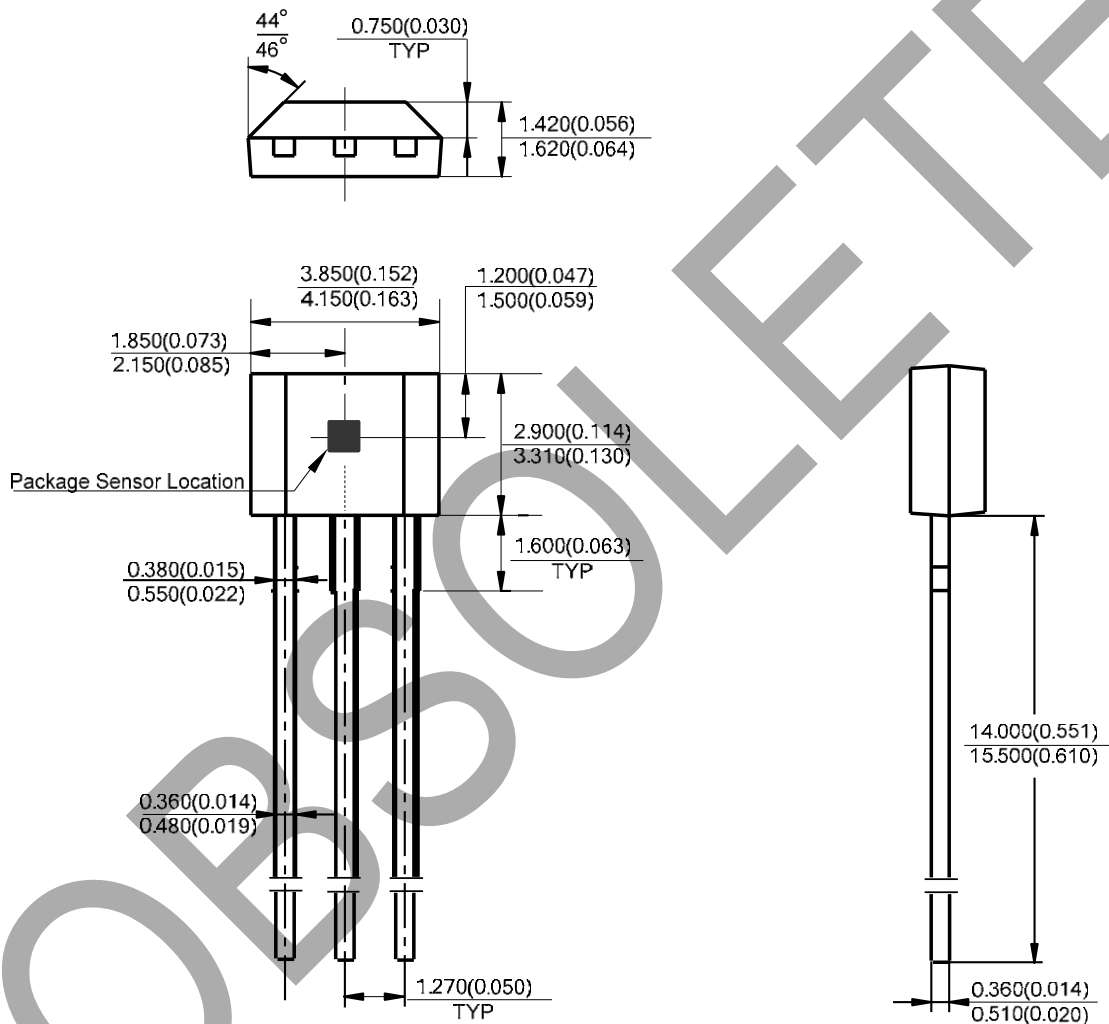
OBSOLETE - PART DISCONTINUED

OBSOLETE

Mechanical Dimensions

TO-92S-3

Unit: mm(inch)



OBSOLETE - PART DISCONTINUED



BCD Semiconductor Manufacturing Limited

<http://www.bcdsemi.com>

IMPORTANT NOTICE

BCD Semiconductor Manufacturing Limited reserves the right to make changes without further notice to any products or specifications herein. BCD Semiconductor Manufacturing Limited does not assume any responsibility for use of any its products for any particular purpose, nor does BCD Semiconductor Manufacturing Limited assume any liability arising out of the application or use of any its products or circuits. BCD Semiconductor Manufacturing Limited does not convey any license under its patent rights or other rights nor the rights of others.

MAIN SITE

- Headquarters

BCD Semiconductor Manufacturing Limited

No. 1600, Zi Xing Road, Shanghai ZiZhu Science-based Industrial Park, 200241, China
Tel: +86-21-24162266, Fax: +86-21-24162277

- Wafer Fab

Shanghai SIM-BCD Semiconductor Manufacturing Co., Ltd.

800 Yi Shan Road, Shanghai 200233, China
Tel: +86-21-6485 1491, Fax: +86-21-5450 0008

REGIONAL SALES OFFICE

Shenzhen Office

Shanghai SIM-BCD Semiconductor Manufacturing Co., Ltd., Shenzhen Office

Unit A Room 1203, Skyworth Bldg., Gaoxin Ave. 1.S., Nanshan District, Shenzhen, China

Tel: +86-755-8826 7951
Fax: +86-755-8826 7865

Taiwan Office

BCD Semiconductor (Taiwan) Company Limited

4F, 298-1, Rui Guang Road, Nei-Hu District, Taipei, Taiwan

Tel: +886-2-2656 2808
Fax: +886-2-2656 2806

USA Office

BCD Semiconductor Corp.

30920 Huntwood Ave. Hayward, CA 94544, USA

Tel: +1-510-324-2988
Fax: +1-510-324-2788

Mouser Electronics

Authorized Distributor

Click to View Pricing, Inventory, Delivery & Lifecycle Information:

[Diodes Incorporated:](#)

[AH41Z3-AG1](#) [AH41Z3-BG1](#)