

Mode of Operation

The length of the electrodes determines the levels which will be detected and the amplifier chosen determines the function (see SV...,

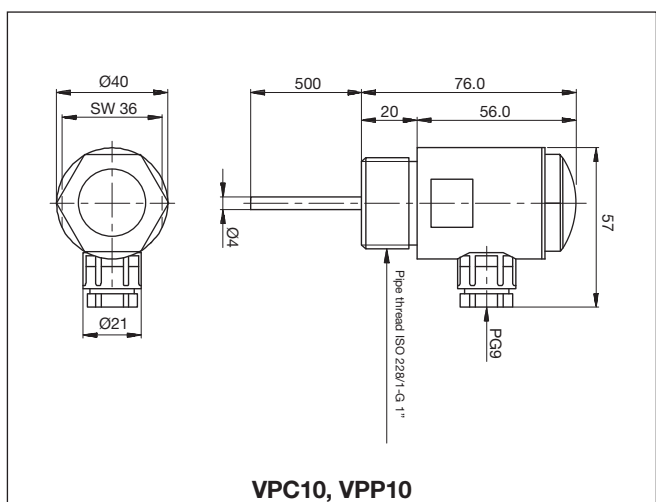
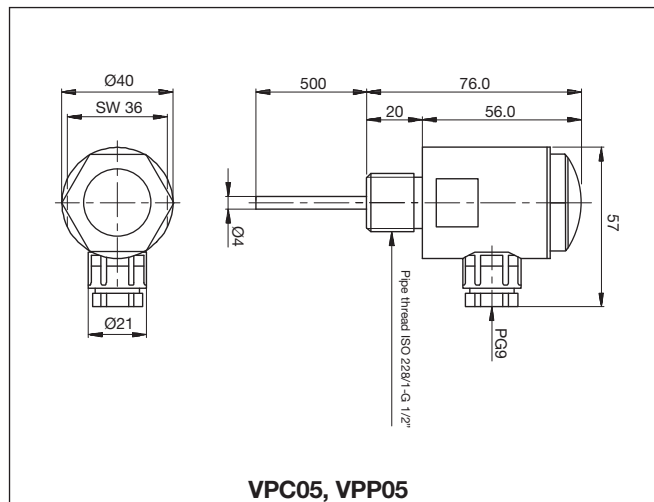
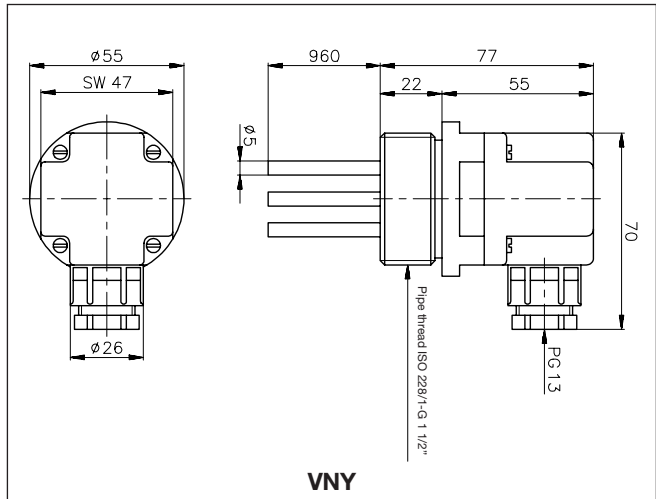
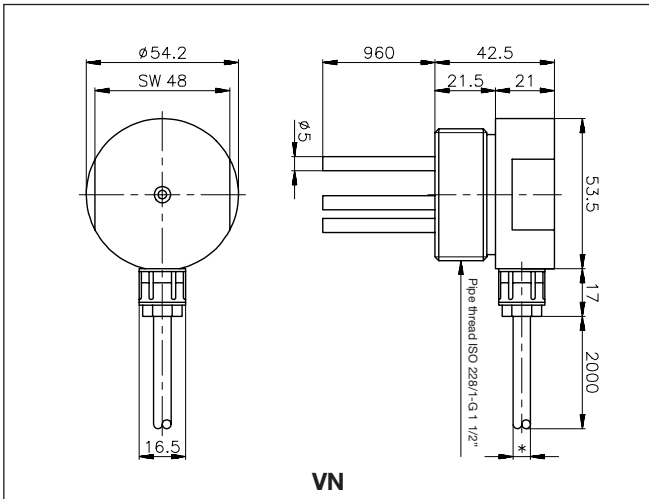
S195/196, S1961, ELA, ELC or ELD). If the container is made of a conductive material this can be used as common electrode.

Accessories

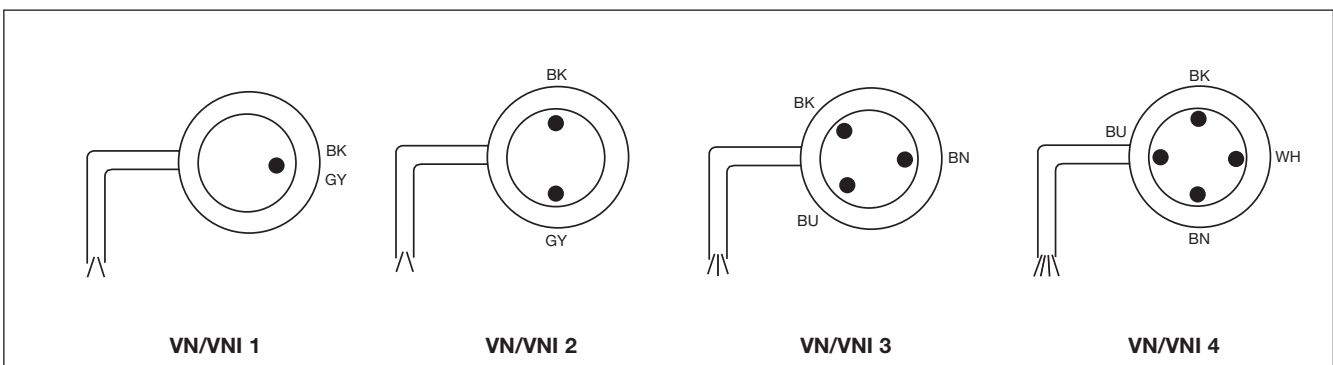
Extension joint for $\varnothing 5$ mm electrodes (VN/VNI):

VD1

Dimensions



Wiring Diagrams



Mouser Electronics

Authorized Distributor

Click to View Pricing, Inventory, Delivery & Lifecycle Information:

[Carlo Gavazzi:](#)

[VPP105](#) [VPP205](#) [VN3](#) [VPC205](#) [VPC210](#) [VNY2](#) [VNY3](#) [VNYI4](#) [VN2](#) [VNYI2](#) [VNYI3](#) [VPC110](#) [VNY4](#) [VPP310](#)
[VPC310](#)